

HILTI

DX 76

Operating instructions

en

Mode d'emploi

fr

Gebruiksaanwijzing

nl

Brugsanvisning

da

Bruksanvisning

sv

Bruksanvisning

no

Käyttöohje

fi

Instrukcija

lv

Lietošanas pamācība

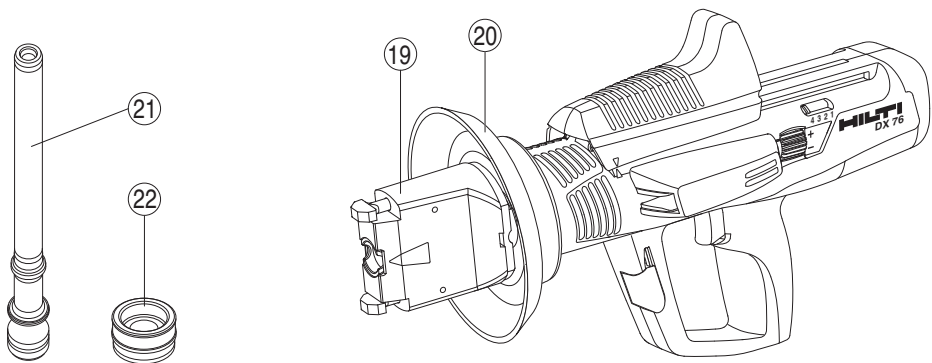
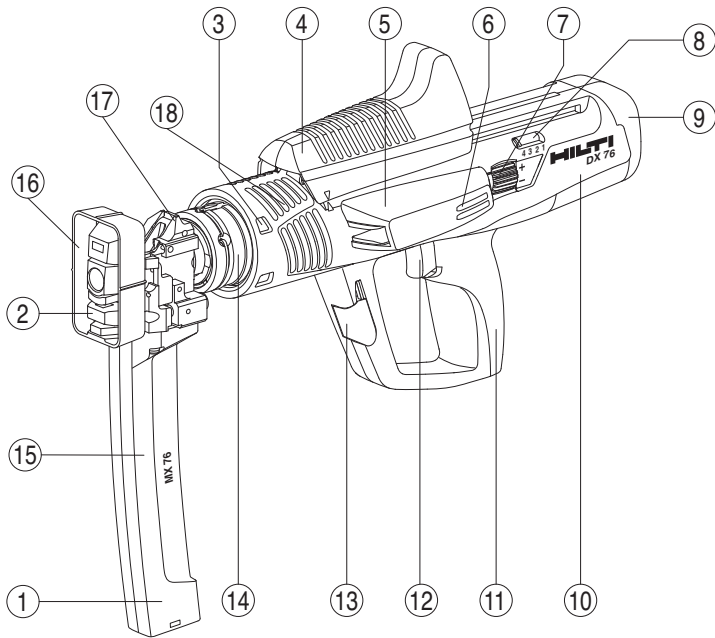
lt

Kasutusjuhend

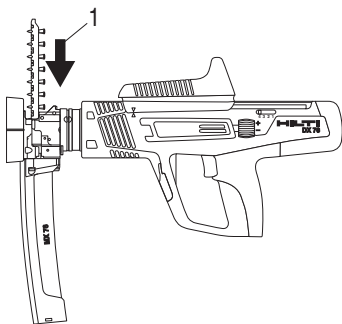
et



CE

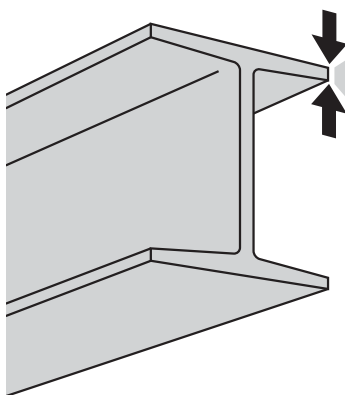


2



3

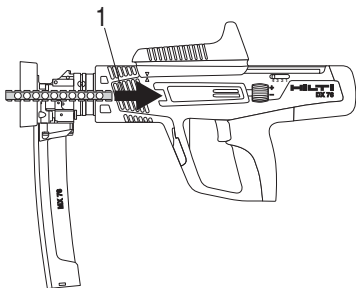
X-ENP



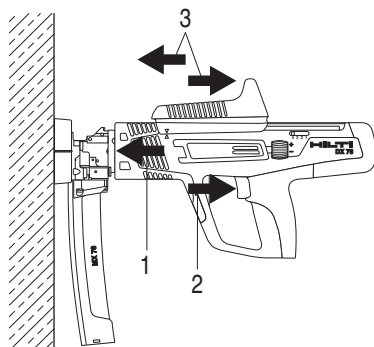
↑ Base material thickness (mm)

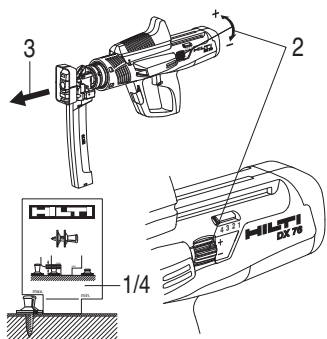
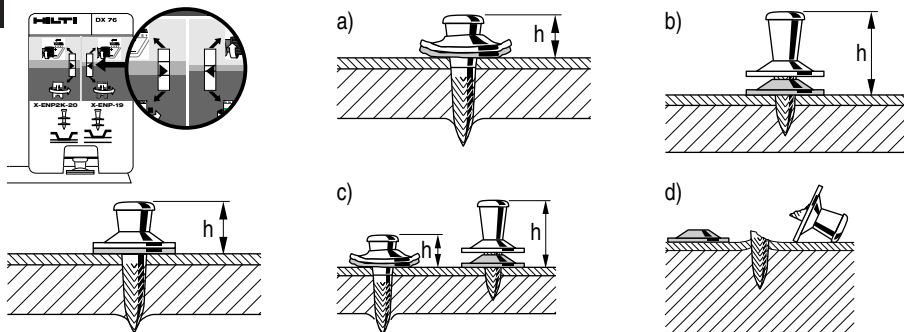
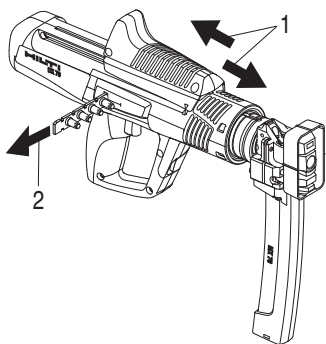
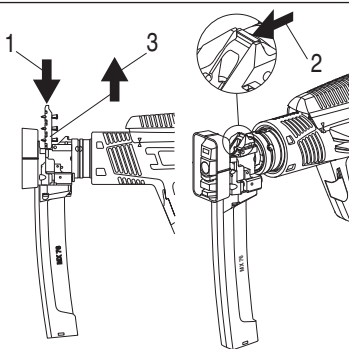
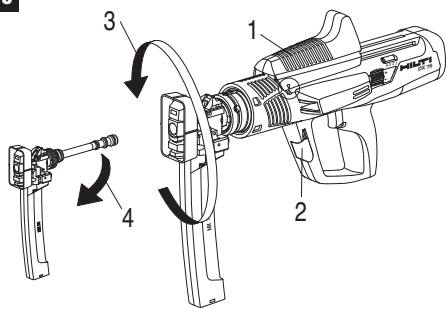
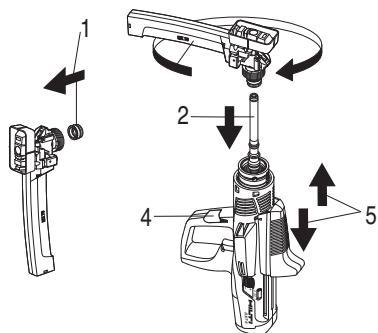
	Standard steel		High-strength steel	
20	4	red	4	black
15	3		3	
10				
8	4	blue	4	red
6	3		3	
	S 235, S275 E 36, ST 37, 340-470 N/mm ²		S 355, S275 E 42, ST 52, 490-630 N/mm ²	

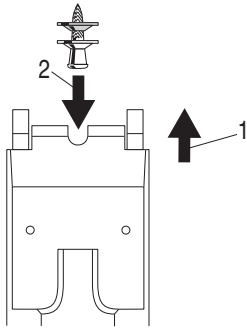
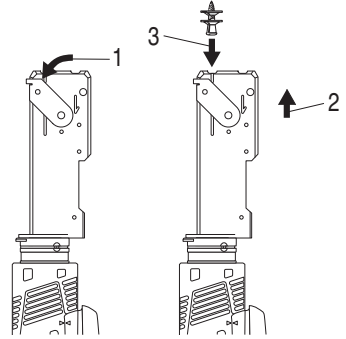
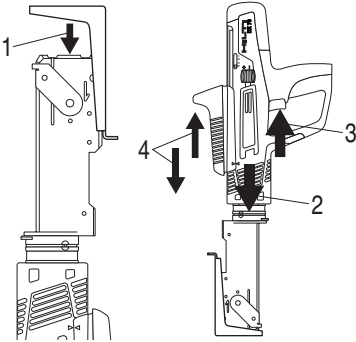
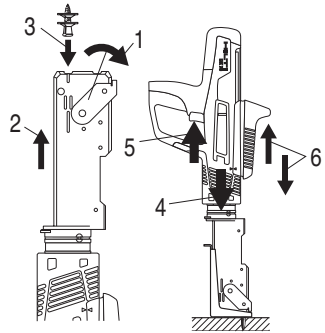
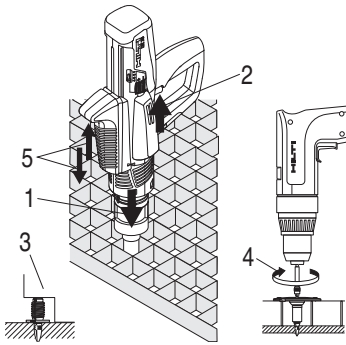
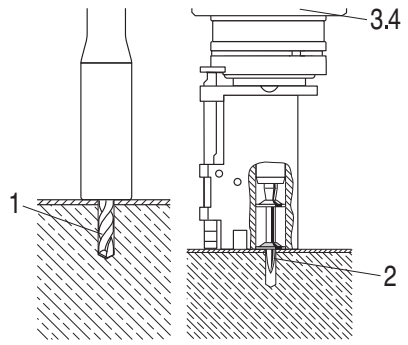
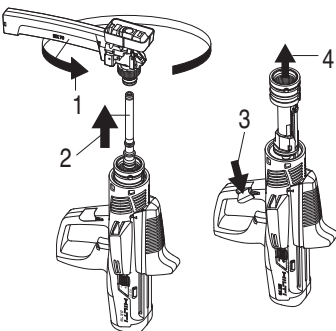
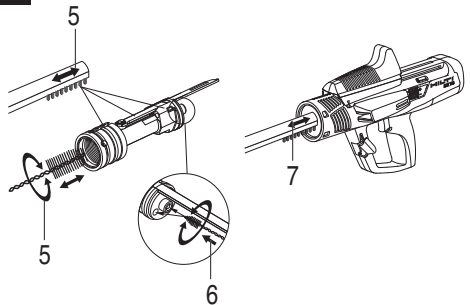
4



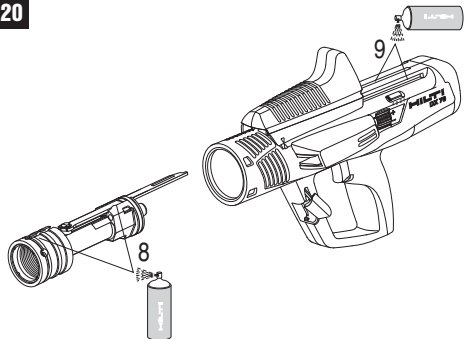
5



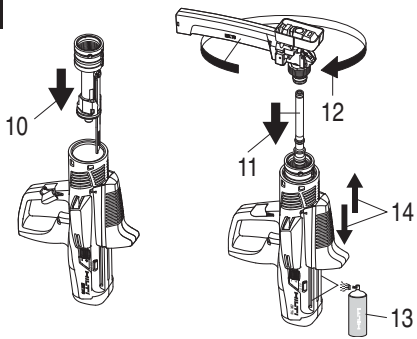
6**7****8****9****10****11**

12**13****14****15****16****17****18****19**

20



21



ORIGINAL OPERATING INSTRUCTIONS

DX 76 powder-actuated fastening tool

It is essential that the operating instructions are read before the tool is operated for the first time.

Always keep these operating instructions together with the tool.

Ensure that the operating instructions are with the tool when it is given to other persons.

Contents	Page
1 Safety instructions	1
2 General information	3
3 Description	4
4 Accessories, consumables	6
5 Technical data	6
6 Before use	7
7 Operation	7
8 Care and maintenance	10
9 Troubleshooting	12
10 Disposal	15
11 Manufacturer's warranty - tools	15
12 EC declaration of conformity (original)	16
13 Confirmation of CIP testing	16
14 Health and safety of the operator	16

1 These numbers refer to the corresponding illustrations. The illustrations can be found on the fold-out cover pages. Keep these pages open while studying the operating instructions.

In these operating instructions, the designation "the tool" always refers to the DX 76 powder-actuated fastening tool.

Parts and operating controls **1**

DX 76 tool

- 1 MX 76 nail magazine
- 2 Contact pin
- 3 Protective cap
- 4 Cycling grip
- 5 Cartridge strip guideway
- 6 Loading status control window
- 7 Power regulation wheel
- 8 Power regulation indicator
- 9 Padded end cap
- 10 Tool casing
- 11 Grip pad
- 12 Trigger
- 13 Piston guide release lever
- 14 Sliding sleeve
- 15 Magazine body
- 16 Fastener magazine spall guard
- 17 Fastener stop
- 18 Ventilation slots
- 19 X-76-F-15 fastener guide
- 20 Tool spall guard

Wearing parts

- 21 Piston
- 22 Piston stopper

1 Safety instructions

1.1 Basic information concerning safety

In addition to the information relevant to safety given in each of the sections of these operating instructions, the following points must be strictly observed at all times.

1.1.1 Using cartridges

Use only Hilti cartridges or cartridges of equivalent quality.

Use of cartridges of inferior quality in Hilti tools may lead to a build-up of unburned powder, which may explode and cause severe injuries to operators and bystanders. Cartridges must fulfill one of the following minimum requirements:

- a) The applicable manufacturer must be able to verify successful testing in accordance with the EU standard EN 16264 or**
- b) The cartridges must bear the CE conformity mark (mandatory in the EU as of July 2013).**

NOTE

All Hilti cartridges for powder-actuated tools have been tested successfully in accordance with EN 16264. The tests defined in the EN 16264 standard are system tests carried out by the certification authority using specific combinations of cartridges and tools. The tool designation, the name of the certification authority and the system test number are printed on the cartridge packaging.

Please refer to the packaging example at: www.hilti.com/dx-cartridges

1.1.2 Personal safety

- a) Stay alert, watch what you are doing and use common sense when operating a direct fastening tool. Do not use tool while tired or under the influence of drugs, alcohol or medication.** A moment of inattention while operating tools may result in serious personal injury.

- b) **Avoid unfavorable body positions. Make sure you work from a safe stance and stay in balance at all times.**
- c) **Never point the tool toward yourself or other persons.**
- d) **Never press the nosepiece of the tool against your hand or against any other part of your body (or other person's hand or part of their body).**
- e) **Keep other persons, especially children, away from the area in which the work is being carried out.**
- f) **Keep the arms slightly bent while operating the tool (do not straighten the arms).**

1.1.3 Use and care of powder-actuated fastening tools

- a) **Use the right tool for the job. Do not use the tool for purposes for which it was not intended. Use it only as directed and when in faultless condition.**
- b) **Press the tool against the working surface at right angles.**
- c) **Never leave a loaded tool unattended.**
- d) **Always unload the tool (remove cartridges and fasteners) before cleaning, before maintenance, before work breaks and before storing the tool.**
- e) **When not in use, tools must be unloaded and stored in a dry place, locked up or out of reach of children.**
- f) **Check the tool and its accessories for any damage. Guards, safety devices and any slightly worn parts must be checked carefully to ensure that they function faultlessly and as intended. Check that moving parts function correctly without sticking and that no parts are damaged. All parts must be fitted correctly and fulfill all conditions necessary for correct operation of the tool. Damaged guards, safety devices and other parts must be repaired or replaced properly at a Hilti service center unless otherwise indicated in the operating instructions.**
- g) **Pull the trigger only when the tool is fully pressed against the working surface at right angles.**
- h) **Always hold the tool securely and at right angles to the working surface when driving in fasteners. This will help to prevent fasteners being deflected by the working surface.**
- i) **Never redrive a fastener. This may cause the fastener to break and the tool may jam.**
- j) **Never drive fasteners into existing holes unless this is recommended by Hilti.**
- k) **Always observe the application guidelines.**
- l) **Use the spill guard when the application permits.**
- m) **Never pull the magazine or fastener guide back by hand as this could, under certain circumstances, make the tool ready to fire. This could cause a fastener to be driven into a part of the body.**

1.1.4 Work area safety



- a) **Ensure that the workplace is well lit.**
- b) **Operate the tool only in well-ventilated working areas.**
- c) **Do not attempt to drive fasteners into unsuitable materials:** Materials that are too hard, e.g. welded steel and cast iron. Materials that are too soft, e.g. wood and drywall panel (gypsum board). Materials that are too brittle, e.g. glass and ceramic tiles. Driving a fastener into these materials may cause the fastener to break, shatter or to be driven right through.
- d) **Never attempt to drive fasteners into materials such as glass, marble, plastic, bronze, brass, copper, rock, insulation material, hollow brick, ceramic brick, thin sheet metal (< 3 mm), cast iron or cellular concrete.**
- e) **Before driving fasteners, check that no one is present immediately behind or below the working surface.**
- f) **Keep the workplace tidy. Objects which could cause injury should be removed from the working area. Untidiness at the workplace can lead to accidents.**
- g) **Keep the grips dry, clean and free from oil and grease.**
- h) **Wear non-skid shoes.**
- i) **Take the influences of the surrounding area into account. Do not expose the tool to rain or snow and do not use it in damp or wet conditions. Do not use the tool where there is a risk of fire or explosion.**

1.1.5 Mechanical safety precautions



- a) **Select the correct fastener guide and fastener combination for the job on hand.** Failure to use the correct combination of these items may result in injury or cause damage to the tool and/or lead to unsatisfactory fastening quality.
- b) **Use only fasteners of a type approved for use with the tool.**
- c) **Never fill the magazine with fasteners unless it is correctly installed onto the tool. The fasteners could be ejected uncontrollably.**
- d) **Never use a worn or damaged piston stopper and do not tamper with or modify the piston.**

1.1.6 Thermal safety precautions



- a) If the tool has overheated, allow it to cool down. Do not exceed the recommended fastener driving rate.
- b) Always wear gloves if the tool has to be dismantled for cleaning or maintenance before it has been allowed to cool down.
- c) The tool must be allowed to cool down if the plastic cartridge strip begins to melt.

1.1.7 Danger of explosion



- a) Use only cartridges of a type approved for use with the tool.

- b) Remove the cartridge strip from the tool carefully.
- c) Do not attempt to forcibly remove cartridges from the magazine strip or tool.
- d) Unused cartridges must be stored in a dry, high place, locked up or out of reach of children.

1.1.8 Personal protective equipment



The user and any other persons in the vicinity must wear suitable eye protection, a hard hat and ear protection while the tool is in use or when remedying a problem with the tool.

en

2 General information

2.1 Safety notices and their meaning

DANGER

Draws attention to imminent danger that will lead to serious bodily injury or fatality.

WARNING

Draws attention to a potentially dangerous situation that could lead to serious personal injury or fatality.

CAUTION

Draws attention to a potentially dangerous situation that could lead to slight personal injury or damage to the equipment or other property.

NOTE

Draws attention to an instruction or other useful information.

2.2 Explanation of the pictograms and other information

Warning signs



General warning



Warning: explosive substances



Warning: hot surface

Obligation signs



Wear eye protection



Wear a hard hat



Wear ear protection



Wear protective gloves



Read the operating instructions before use.

Location of identification data on the tool

The type designation and serial number can be found on the type identification plate on the tool. Make a note of this data in your operating instructions and always refer to it when making an enquiry to your Hilti representative or service department.

Type:

Generation: 01

Serial no.:

3 Description

3.1 Use of the product as directed

The tool is intended for use in the construction industry and associated trades for driving fasteners into steel.

The tool is for hand-held use only.

Modification of the tool is not permissible.

The tool may not be used in an explosive or flammable atmosphere unless it has been approved for use under these conditions.

To avoid the risk of injury use only genuine Hilti fasteners, cartridges, accessories and spare parts or those of equivalent quality.

Observe the information printed in the operating instructions concerning operation, care and maintenance.

The tool and its ancillary equipment may present hazards when used incorrectly by untrained personnel or when used not as directed.

The tool may be operated, serviced and repaired only by trained personnel. This personnel must be informed of any special hazards that may be encountered.

As with all powder-actuated fastening tools, the tool, magazine, cartridges and fasteners form a technical unit. This means that trouble-free fastening with this system can be assured only if the Hilti fasteners and cartridges specially manufactured for it, or products of equivalent quality, are used. The fastening and application recommendations given by Hilti apply only when these conditions are observed.

The tool features a 5-way safety system for the safety of the user and all bystanders.

3.2 Piston principle with piston brake

The energy from the propellant charge is transferred to a piston, the accelerated mass of which drives the nail into the base material. Due to use of this piston principle, the tool is classified as a "low velocity tool". Approximately 95% of kinetic energy is taken up by the piston when the tool is fired. As the piston is always stopped by the tool as it reaches the end of its travel, excess energy is absorbed by the tool. Accordingly, when the tool is used correctly, dangerous over-shots (i.e. with a nail muzzle velocity of over 100 m/s) are virtually impossible.

3.3 Drop-firing safety device

The drop-firing safety device is the result of coupling the firing mechanism with the cocking movement. This prevents the tool from firing when dropped onto a hard surface, no matter at which angle the impact occurs.

3.4 Trigger safety device

The trigger safety device prevents the tool firing when only the trigger is pulled. The tool must be pressed against a firm surface before a fastener can be released.

3.5 Contact pressure safety device

The tool can be fired only when pressed fully against a firm surface with a force of at least 50 N.

3.6 Unintentional firing safety device

The tool is also equipped with an unintentional firing safety device. This prevents the tool from firing if the trigger is first pulled and the tool then pressed against the work surface. The tool can be fired only when it is first pressed correctly against the work surface and the trigger subsequently pulled.

3.7 DX 76 tool: applications and suitable fasteners

Fastening profile metal sheet to steel, steel thickness 6 mm up to solid steel

Items required	Ordering designation	Comments
Fasteners	X-ENP-19 L15 MX	10 fasteners per magazine strip
Fastener magazine	MX 76	
Piston set	X-76-P-ENP	

Items required	Ordering designation	Comments
Fasteners	X-ENP-19 L15	Single fastener
Single fastener guide	X-76-F-15	

Fastening profile metal sheet to steel, steel thickness 3 to 6 mm

Items required	Ordering designation	Comments
Fasteners	ENP2K-20 L15 MX	10 fasteners per magazine strip
Fastener magazine	MX 76	
Piston	X-76-P-ENP2K	

Items required	Ordering designation	Comments
Fasteners	ENP2K-20 L15	Single fastener
Single fastener guide	X-76-F-15-P	

Fastening shear connectors

Items required	Ordering designation	Comments
Fasteners	X-ENP-21 HVB	2 fasteners per shear connector
Shear connector	X-HVB 50/ 80/ 95/ 110/ 125/ 140	
Fastener guide	X-76-F-HVB	
Piston	X-76-P-HVB	

Fastening profile metal sheeting to concrete (DX-Kwik)

Items required	Ordering designation	Comments
Fasteners	NPH2-42 L15	
Fastener guide	X-76-F-Kwik	
Piston	X-76-P-Kwik	
Stop drill bit	TX-C 5/23	Stop drill bit for predrilling

Grating fasteners (10mm diameter)

Items required	Ordering designation	Comments
Fasteners	EM8-15FP10, X-CRM8-15 FP10/ X-CR M8	Used to install X-FCM, X-FCM-F, X-FCM-R, X-FCP-F, X-FCP-R
Fastener guide	X-76-F-10	
Piston	X-76-P-GR	
Ramrod	Ramrod	Used to push the fastener back
Centering device	Centering device 25	For the X-76-F-10 fastener guide
Centering device	Centering device 30	For the X-76-F-10 fastener guide

Fastener (10 mm diameter) for various fastening applications on steel and concrete

Items required	Ordering designation	Comments
Fasteners	DS 27-37, DSH 57 P10	Nails for fastening wood battens to concrete and steel (62 mm or longer must be pre-driven)
Fasteners	EDS 19-27 P10	Nail for fastening wood battens to steel
Fasteners	EW10-30 P10 X-EW10-27 P10, X-EM10-24 P10	10 mm studs for use on steel
Fastener guide	X-76-F-10	

Items required	Ordering designation	Comments
Piston	X-76-P-10	

en

4 Accessories, consumables

Designation	Item number, description
Hilti toolbox	DX 76 KD, large, with lockable cartridge compartment
Toolbox for magazine tool	DX 76 MX
Cleaning set	DX 76 / 860-ENP, Flat brush, 25 mm dia. round brush, 8 mm dia. round brush, pusher rod, cleaning cloth
Hilti spray	
Piston and piston stopper set	X-76-PS
Spall guard for magazine and single fastener guides	
DX 76 test gauge	

Cartridge type	Ordering designation
Magnum (USA)	6.8/18 M black (purple)
Extra heavy	6.8/18 M black
Very heavy	6.8/18 M red
Heavy	6.8/18 M blue
Light	6.8/18 M green

5 Technical data

Right of technical changes reserved.

NOTE

*for trouble-free operation.

Tool	DX 76 MX
Weight with magazine	4.35 kg
Dimensions (L × W × H)	450 mm × 101 mm × 352 mm
Magazine capacity	10 fasteners
Contact movement	32 mm
Contact pressure	190...240 N
Ambient operating temperature range	-15...+50°C
Maximum average fastener driving frequency*	600/h

6 Before use



NOTE

Read the operating instructions before the tool is operated for the first time.

6.1 Check the tool

Check that no cartridge strip is loaded in the tool. If a cartridge strip is present in the tool, use the cycling grip to cycle the tool several times until the cartridge strip projects from the tool at the cartridge strip exit and it can be pulled out and removed from the tool.

Check all external parts of the tool for damage and check that all controls operate faultlessly. Do not operate the tool when parts are damaged or when the controls do not function correctly. If necessary, have the tool repaired at an authorized Hilti service center.

Check the piston and piston stopper for wear and ensure that the parts have been fitted correctly.

en

7 Operation



NOTE

When you grip the tool with your other hand, care must be taken to ensure that this hand does not cover any ventilation slots or openings.

WARNING

The material may splinter or fragments of the magazine strip may fly off when the fastener is driven. **The user of the tool and all persons in the vicinity must wear eye protection and a hard hat.** Splintering material presents a risk of injury to the eyes and body.

CAUTION

The fastener driving action is initiated by ignition of a propellant charge. **The user of the tool and other persons in the immediate vicinity must wear ear protectors.** Exposure to noise can cause hearing loss.

WARNING

Never make the tool ready to fire by pressing it against a part of the body (e.g. the hand). This could cause a nail or the piston to be driven into a part of the body. **Never press the tool against a part of the body.**

CAUTION

Never redrive a fastener. This may cause the fastener to break and the tool may jam.

CAUTION

Never drive fasteners into existing holes unless this is recommended by Hilti.

CAUTION

If the tool has overheated, allow it to cool down. Do not exceed the recommended fastener driving rate.

7.1 Operation

Fastening guidelines: These guidelines must be observed at all times.

NOTE

For detailed information, please ask your local Hilti representative for a copy of the applicable technical guidelines or national technical regulations.

7.2 Procedure if a cartridge fails to fire

If a cartridge fails to fire or misfires, always proceed as follows:

Keep the nose of the tool pressed at right angles against the working surface for 30 seconds.

If the cartridge still fails to fire, lift the tool away from the working surface, taking care to avoid pointing it at yourself or other persons.

Load the next cartridge on the strip by cycling the tool. Use up the remaining cartridges on the strip and remove the used cartridge strip from the tool. The (partly) used cartridge strip must then be disposed of suitably in order to prevent further use or misuse of any unfired cartridges.

7.2.1 Loading fastener strips in the magazine 2

Push the fastener strip into the magazine from above until the washer of the final fastener engages in the magazine.

7.2.2 Selecting the cartridge 3

1. Determine the thickness of the material to be fastened and the grade of the supporting steel.
2. Select a suitable cartridge and power setting according to the cartridge recommendations.

NOTE For details of recommended cartridges, please refer to the applicable approvals or the Hilti Fastening Technology Manual.

7.2.3 Inserting the cartridge strip **4**

Push the cartridge strip into the cartridge strip guideway on the side of the tool, as far as it will go.

7.2.4 Driving fasteners with the magazine tool **5**

1. Press the tool against the working surface at right angles.
2. Drive the fastener by pulling the trigger.
3. Prepare the tool for driving the next fastener by pushing the cycling grip back toward the rear of the tool and then forward to its original position.

7.2.5 Checking and adjusting fastener driving depth **6** **7**

NOTE

Fastener driving depth can be adjusted by turning the power regulation wheel on the tool (setting 1 = minimum; setting 4 = maximum).

1. Use the test gauge to check nail stand-off.
2. If a fastener is not driven deeply enough, driving power must be increased. Adjust the power regulation wheel to the next higher setting. If a fastener is driven too deeply, driving power must be reduced. Adjust the power regulation wheel to the next lower setting.
3. Drive a fastener.
4. Use the test gauge to check nail stand-off.
5. If the fastener is still not driven deeply enough or, respectively, is driven too deeply, steps 2 to 4 must be repeated until the correct depth is achieved. If necessary, use a cartridge with a higher or lower power rating.

7.3 Unloading the tool

7.3.1 Removing cartridges from the tool **8**

WARNING

Do not attempt to forcibly remove cartridges from the magazine strip or tool.

1. Advance the cartridge strip through the tool by moving the cycling grip until the strip is visible at the exit aperture.
2. Pull the cartridge strip out of the tool at the cartridge strip exit aperture.

7.3.2 Removing fastener strips from the tool **9**

WARNING

Check that no cartridge strip is loaded in the tool. If a cartridge strip is still present in the tool, operate the cycling grip until the strip projects from the tool and then pull the strip out of the cartridge strip exit by hand and remove it from the tool.

CAUTION

The fastener strip will be ejected by spring pressure.

1. Push the fastener strip 5 mm further into the magazine and hold it securely in this position.

2. Push the catch forward with the thumb and hold it in this position.
3. Remove the fastener strip from the magazine.

7.4 Changing the nail magazine or fastener guide (accessory)

7.4.1 Disassembly **10**

WARNING

All cartridges must be removed from the tool. All nails must be removed from the nail magazine or the fastener guide.

CAUTION

After the tool has been in use, the parts to be handled may be very hot. **It is essential that gloves are worn if the following maintenance operations have to be carried out before the tool has been allowed to cool down.**

1. Check that the tool cycling grip is in its starting position.
2. Unscrew and remove the fastener guide (or fastener magazine).
3. Remove the piston from the piston guide and remove the piston stopper from the nail magazine.

7.4.2 Assembly **11**

1. Insert the piston stopper, the right way round, in the piston guide (or fastener magazine) that is to be fitted to the tool.
2. Check that the tool cycling grip is in its starting position.
3. Insert the correct piston in the piston guide in the tool.
4. Screw the fastener guide (or fastener magazine) onto the piston guide as far as it will go and then turn it back until it engages.
5. Cycle the tool once with the cycling grip.

7.5 Driving fasteners using the single fastener guide (accessory)

WARNING

Check that the spall guard is fitted to the tool.

7.5.1 Inserting the fastener in the single-fastener tool **12**

1. Turn the tool so that the fastener guide is pointing upwards.
2. Insert the fastener in the tool from above.

7.5.2 Selecting the cartridge **13**

1. Determine the thickness of the material to be fastened and the grade of the supporting steel.
2. Select a suitable cartridge and power setting according to the cartridge recommendations.

NOTE For details of recommended cartridges, please refer to the applicable approvals or the Hilti Fastening Technology Manual.

7.5.3 Inserting the cartridge strip **4**

Push the cartridge strip into the cartridge strip guideway on the side of the tool, as far as it will go.

7.5.4 Driving fasteners with the single-fastener tool

1. Press the tool against the working surface at right angles.
2. Drive the fastener by pulling the trigger.
3. Prepare the tool for driving the next fastener by pushing the cycling grip back toward the rear of the tool and then forward to its original position.

7.5.5 Checking and adjusting fastener driving depth **6 7**

NOTE

Fastener driving depth can be adjusted by turning the power regulation wheel on the tool (setting 1 = minimum; setting 4 = maximum).

Check nail stand-off and the power setting in accordance with section 7.2.5 "Checking and adjusting fastener driving depth".

7.6 Fastening shear connectors (accessories required) **13 14**

WARNING

Check that the spall guard is fitted to the tool.

7.6.1 Inserting the fastener in the HVB fastener guide

NOTE

These instructions apply to driving the first fastener in the shear connector.

1. Fit the HVB fastener guide in accordance with the instructions in section 7.4 "Changing the nail magazine or fastener guide (accessory)".
2. Push the slider over until it engages and the number "1" is visible.
3. Turn the tool so that the fastener guide is pointing upwards.
4. Insert the fastener into the tool from above at the marked opening.

7.6.2 Inserting the cartridge strip **4**

NOTE

For best results when fastening HVB shear connectors, use black cartridges or, in some cases, red cartridges. For details of recommended cartridges, please refer to the applicable approvals or the Hilti Fastening Technology Manual.

Push the cartridge strip into the cartridge strip guideway on the side of the tool, as far as it will go.

7.6.3 Driving fasteners using the HVB fastener guide **14**

1. Fit the shear connector onto the base plate. It is held in place by a magnet.

2. Press the tool against the working surface at right angles.
3. Drive the fastener by pulling the trigger.
4. Prepare the tool for driving the next fastener by pushing the cycling grip back toward the rear of the tool and then forward to its original position.

7.6.4 Checking and adjusting fastener driving depth **6 7**

NOTE

Fastener driving depth can be adjusted by turning the power regulation wheel on the tool (setting 1 = minimum; setting 4 = maximum).

Check nail stand-off and the power setting in accordance with section 7.2.5 "Checking and adjusting fastener driving depth".

7.6.5 Inserting the second fastener in the HVB fastener guide **15**

NOTE

These instructions apply to driving the second fastener in the shear connector.

1. Push the slider over until it engages and the number "2" is visible.
2. Turn the tool so that the fastener guide is pointing upwards.
3. Insert the fastener into the tool from above at the marked opening.

7.6.6 Driving fasteners using the HVB fastener guide **14**

1. Insert the nose of the tool into the shear connector and press the tool at right angles against the working surface.
2. Drive the fastener by pulling the trigger.
3. Prepare the tool for driving the next fastener by pushing the cycling grip back toward the rear of the tool and then forward to its original position.

7.7 Fastening gratings (accessories required)

WARNING

Check that the spall guard is fitted to the tool.

7.7.1 Inserting the fastener in the grating fastener guide (F8)

1. Fit the grating fastener guide in accordance with the instructions in section 7.4 "Changing the nail magazine or fastener guide (accessory)".
2. Turn the tool so that the fastener guide is pointing upwards.
3. Insert the fastener in the tool from above.

7.7.2 Inserting the cartridge strip **4**

Push the cartridge strip into the cartridge strip guideway on the side of the tool, as far as it will go.

7.7.3 Driving fasteners using the grating fastener guide **16**

1. Press the tool against the working surface at right angles.
2. Drive the fastener by pulling the trigger.
3. If possible, check the depth of penetration by checking fastener stand-off.
4. If using a flange, screw the retaining flange on with torque of 5 to 8 Nm.
5. Prepare the tool for driving the next fastener by pushing the cycling grip back toward the rear of the tool and then forward to its original position.

7.7.4 Checking and adjusting fastener driving depth **6 7**

NOTE

Fastener driving depth can be adjusted by turning the power regulation wheel on the tool (setting 1 = minimum; setting 4 = maximum).

Check nail stand-off and the power setting in accordance with section 7.2.5 "Checking and adjusting fastener driving depth".

7.8 Using the F10 fastener guide

WARNING

Check that the spall guard is fitted to the tool.

Use the F10 fastener guide in the same way as for fastening gratings (section 7.7.).

7.9 Fastening profile metal sheets to concrete (DX-Kwik accessories required)

WARNING

Check that the spall guard is fitted to the tool.

7.9.1 Inserting the fastener in the DX-Kwik fastener guide

1. Fit the DX-Kwik fastener guide in accordance with the instructions in section 7.4 "Changing the nail magazine or fastener guide (accessory)".
2. Turn the tool so that the fastener guide is pointing upwards.
3. Insert the fastener in the tool from above.

7.9.2 Inserting the cartridge strip

NOTE

Use blue cartridges for best results when fastening profile metal sheets to concrete. For details of recommended cartridges, please refer to the applicable approvals or the Hilti Fastening Technology Manual.

Push the cartridge strip, as far as it will go, into the cartridge strip guideway on the side of the tool.

7.9.3 Driving fasteners using the DX-Kwik fastener guide **17**

1. Drill through the profile metal sheet and into the concrete with the step drill bit.
2. Guide the tip of the fastener projecting from the fastener guide into the previously drilled hole and press the tool at right angles against the working surface.
3. Drive the fastener by pulling the trigger.
4. Prepare the tool for driving the next fastener by pushing the cycling grip back toward the rear of the tool and then forward to its original position.

7.9.4 Checking and adjusting fastener driving depth **6 7**

NOTE

Fastener driving depth can be adjusted by turning the power regulation wheel on the tool (setting 1 = minimum; setting 4 = maximum).

Check nail stand-off and the power setting in accordance with section 7.2.5 "Checking and adjusting fastener driving depth".

8 Care and maintenance



CAUTION

When this type of tool is used under normal operating conditions, dirt and residues build up inside the tool and functionally relevant parts are also subject to wear. **Regular inspections and maintenance are thus essential in order to ensure reliable operation. We recommend that the tool is cleaned and the piston and piston stopper are checked and inspected at least daily when the tool is subjected to intensive use, at the latest after driving 3,000 fasteners.**

WARNING

All cartridges must be removed from the tool. All nails must be removed from the nail magazine or the fastener guide.

CAUTION

The tool may get hot during use. You could burn your hands. **Wear protective gloves when carrying out care and maintenance. Allow the tool to cool down.**

8.1 Care of the tool

Clean the outside of the tool at regular intervals with a slightly damp cloth.

NOTE

Do not use a spray or steam/water jet system for cleaning! Never operate the tool when the ventilation slots are blocked. Do not permit foreign objects to enter the interior of the tool.

8.2 Maintenance

Check all external parts of the tool for damage at regular intervals and check that all controls operate faultlessly. Do not operate the tool if parts are damaged or when the controls do not function faultlessly. If necessary, the tool should be repaired by Hilti Service.

Use the tool only with the recommended cartridges and power settings. Use of the wrong cartridges or use of excessively high power settings may lead to premature failure of parts of the tool.

CAUTION

Dirt and residues in DX tools contain substances that may be hazardous to your health. **Do not inhale dust / or dirt from cleaning. Keep the dust or dirt away from foodstuffs. Wash your hands after cleaning the tool. Never use grease for the maintenance/lubrication of parts of the tool. This may lead to malfunctions. Use only Hilti lubricant spray or a product of equivalent quality.**

8.2.1 Checking the piston, changing the piston / piston stopper

WARNING

All cartridges must be removed from the tool. All nails must be removed from the nail magazine or the fastener guide.

CAUTION

After the tool has been in use, the parts to be handled may be very hot. **It is essential that gloves are worn if the following maintenance operations have to be carried out before the tool has been allowed to cool down.**

NOTE

Firing the tool repeatedly without driving a fastener stresses the piston and piston stopper and causes these parts to wear. If the piston shows signs of chipping and / or the synthetic rubber part of the piston stopper is badly worn, then these parts have reached the end of their life.

NOTE

The condition of the piston and piston stopper must be checked at regular intervals and at least daily.

NOTE

To replace the piston and the piston stopper, only the fastener magazine or fastener guide requires to be unscrewed. It is not necessary to remove the piston guide.

1. Unscrew and remove the fastener guide (or fastener magazine).
2. Pull the piston out of the piston guide.
3. Check the piston for damage. If signs of damage are found, the piston AND the piston stopper must be replaced.

NOTE Check the piston for straightness by rolling it on a smooth surface. Never use worn or damaged pistons and do not attempt to manipulate or modify the piston.

4. If the piston has to be replaced, remove the piston stopper from the fastener guide.
5. Insert the new piston stopper, the right way round, in the fastener guide (or fastener magazine) that is to be fitted to the tool.
NOTE Spray the opening in the piston stopper with Hilti lubricant spray.
6. Insert the piston into the piston guide in the tool.
7. Screw the fastener guide (or fastener magazine) onto the piston guide as far as it will go and then turn it back until it engages.
8. Cycle the tool once with the cycling grip.

8.2.2 Cleaning the piston guide 18 19 20 21

WARNING

All cartridges must be removed from the tool. All nails must be removed from the nail magazine or the fastener guide.

CAUTION

After the tool has been in use, the parts to be handled may be very hot. **It is essential that gloves are worn if the following maintenance operations have to be carried out before the tool has been allowed to cool down.**

1. Check that the tool cycling grip is in its starting position.
2. Unscrew and remove the nail magazine (or the fastener guide).
3. Remove the piston from the piston guide and remove the piston stopper from the nail magazine (or fastener guide).
4. **CAUTION It is essential that the tool is held with the piston guide facing upwards. The piston guide may otherwise fall out.** Open the piston guide release lever.
5. Pull the piston guide out of the tool.
NOTE Further disassembly of the piston guide is not necessary.
6. Clean the seat of the piston guide in the tool.
7. Use the large brushes to clean the inside and outside surfaces of the piston guide.

8. Use the small round brush to clean the bore for the regulating pin and use the tapered brush to clean the cartridge chamber.
9. Spray the slider and the collar of the piston guide with Hilti lubricant spray.
10. Spray the steel parts inside the tool with Hilti lubricant spray.
NOTE Use of lubricants other than Hilti spray may cause damage to rubber parts.
11. Check that the tool cycling grip is in its starting position.
12. Insert the piston guide into the tool.
13. Apply light pressure to the piston guide.
NOTE The lever can be closed only when the piston guide is pressed (several mm) into the tool. If the lever still cannot be closed, please refer to the information in section 9 "Troubleshooting".
14. Close the piston release lever with light pressure applied to the piston guide.
15. Insert the piston into the piston guide.
16. Fit the piston stopper.
17. Screw the fastener guide (or fastener magazine) onto the piston guide as far as it will go and then turn it back until it engages.
18. Lubricate the cartridge transport mechanism by applying Hilti lubricant spray in the gap in the housing behind the cycling grip.
19. Cycle the tool once with the cycling grip.

8.3 Checking the tool after care and maintenance

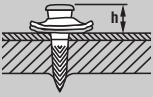

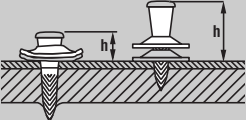

After carrying out care and maintenance and before loading the cartridges, check that all safety devices have been fitted and that they function faultlessly.

9 Troubleshooting

WARNING

The tool must be unloaded before taking any steps to remedy faults.

Fault	Possible cause	Remedy
Cartridges are not transported.	The cartridge strip is damaged.	Change the cartridge strip. See section: 7.3.1 Removing cartridges from the tool 8
	The tool is damaged.	Contact Hilti.
Cartridge strip can't be removed.	The tool is damaged or has overheated as a result of an excessively high fastener driving rate.	Allow the tool to cool and then carefully try again to remove the cartridge strip. Remove the piston guide from the tool. If a cartridge sleeve remains jammed in the cartridge chamber, use the round rod from the cleaning set to remove it. If this is still not possible, contact Hilti. WARNING Do not attempt to forcibly remove cartridges from the magazine strip or tool.
Cartridge doesn't fire.	The tool is not pressed fully against the working surface.	Press the tool fully against the working surface and pull the trigger.
	The cartridge strip is used up.	Remove the used cartridge strip. Load a new strip.
	The magazine or fastener guide is not screwed on far enough.	Screw the magazine farther onto the tool.
	One of the cartridges is faulty.	Cycle the tool and use up the remaining cartridges.
	The tool is defective or the cartridges are faulty.	Contact Hilti.
	The tool is not cycled.	Cycle the tool. See section: 8.2.2 Cleaning the piston guide 18 19 20 21

Fault	Possible cause	Remedy
<p>Fastener penetrates too deeply (inadequate fastener stand-off).</p> 	<p>The fastener missed the steel beam.</p> <hr/> <p>The wrong piston has been fitted.</p> <hr/> <p>The piston is worn.</p>	<p>Mark the position of the beam. Drive another fastener into the beam. Check to ensure that the sheet rests tightly against the supporting material.</p> <hr/> <p>Check that the right piston / fastener combination is used.</p> <hr/> <p>Change the piston and piston stopper.</p>
<p>Fastener doesn't penetrate deeply enough (excessive fastener stand-off).</p> 	<p>Fastener driven into the rib of the beam.</p> <hr/> <p>Different thickness and/or strength of supporting material.</p> <hr/> <p>Fastener driving power is too low.</p> <hr/> <p>The tool needs to be cleaned.</p> <hr/> <p>The piston is worn.</p> <hr/> <p>The tool is damaged.</p> <hr/> <p>The wrong piston has been fitted.</p>	<p>Drive a second fastener.</p> <hr/> <p>Increase fastener driving power in accordance with recommendations or, respectively, use a more powerful cartridge.</p> <hr/> <p>Increase fastener driving power in accordance with recommendations or, respectively, use a more powerful cartridge.</p> <hr/> <p>Clean the tool.</p> <hr/> <p>Change the piston and piston stopper.</p> <hr/> <p>Contact Hilti.</p> <hr/> <p>Check that the right piston / fastener combination is used.</p>
<p>Fastener stand-off (head projection) varies considerably.</p> 	<p>The tool was pressed against the working surface with a jolt.</p> <hr/> <p>The tool is cycled unevenly, sometimes not fully.</p> <hr/> <p>Irregular driving power.</p>	<p>Press the tool against the working surface smoothly and avoid jolting.</p> <hr/> <p>Cycle the tool fully.</p> <hr/> <p>Clean the tool. Replace wearing parts with new parts. Contact Hilti if irregular driving power is still experienced.</p>
<p>Shear breakage.</p> 	<p>The face of the piston is worn or chipped.</p> <hr/> <p>Fastener driven into the rib of the beam.</p> <hr/> <p>The supporting material is thicker and/or of higher strength.</p>	<p>Change the piston and piston stopper.</p> <hr/> <p>Drive a second fastener beside the first one.</p> <hr/> <p>Check that the recommended type of fastener is used. If the right type of fastener is used, increase driving power in accordance with cartridge recommendations or use a more powerful cartridge.</p>
<p>The tool remains compressed (doesn't extend when pressure is released).</p>	<p>The piston sticks in the piston stopper.</p> <hr/> <p>The tool is badly fouled with dirt and residues.</p>	<p>Change the piston and piston stopper.</p> <hr/> <p>Clean the piston guide. Check the straightness of the piston. Clean the tool.</p> <p>See section: 8.2.2 Cleaning the piston guide 18 19 20 21</p>

Fault	Possible cause	Remedy
The tool remains compressed (doesn't extend when pressure is released).	The cartridge strip has jammed, the tool has overheated.	Please refer to the fault: "Cartridge strip can't be removed". Do not exceed the maximum recommended fastener driving rate.
The tool can't be fired.	The tool wasn't cycled correctly, the cycling grip is not in the starting position.	Cycle the tool completely and return the cycling grip to the starting position.
	The trigger is pulled before the tool is pressed fully against the working surface.	Press the tool fully against the working surface and then pull the trigger.
	Fastener transport malfunctions	See section: 7.2.1 Loading fastener strips in the magazine 2 See section: 7.3.2 Removing fastener strips from the tool 9
	The magazine or fastener guide is not screwed on far enough.	Screw the magazine farther onto the tool.
	The tool is damaged.	Contact Hilti.
	The tool is badly fouled with dirt and residues.	Clean the piston guide. Check the straightness of the piston. Clean the tool. See section: 8.2.2 Cleaning the piston guide 18 19 20 21
	The trigger is pulled before the tool is pressed fully against the working surface.	Press the tool fully against the working surface and then pull the trigger.
	No fastener is driven.	The tool wasn't cycled correctly, the cycling grip is not in the starting position.
No fasteners in the tool.		Load fastener(s) into the tool.
The magazine fastener transport mechanism is faulty.		Contact Hilti.
No piston in the tool.		Fit the piston.
The piston is broken.		Change the piston and piston stopper.
The piston doesn't return to its starting position.		Contact Hilti.
The fastener guide needs to be cleaned.		Use the brushes provided to clean the fastener guide and associated parts. Lubricate with Hilti spray.
Fasteners are jammed in the fastener guide.		Remove the jammed fasteners. Remove magazine strip plastic scraps from the tool magazine. Avoid shear breakage (see above). Avoid missing the beam (driving the fastener into unsupported sheet metal); mark the position of the beams accurately if necessary.
The fastener guide can't be screwed on to the tool fully.	The piston stopper is fitted the wrong way round.	Unscrew the fastener guide. Fit the piston stopper the right way round and then screw on the fastener guide.
	The piston guide needs to be cleaned at the end of the threaded section.	Clean and lubricate the thread.
The piston can't be fitted.	The tool, especially the piston guide, needs to be cleaned.	Clean the fastener guide and the tool and refit the piston.

Fault	Possible cause	Remedy
The piston can't be fitted.	The tip of the pusher is projecting into the piston guide, preventing movement of the piston.	Pull the pusher forward until it engages.
The piston guide can't be fitted.	The lever is in the closed position.	Open the lever.
	The piston guide is incorrectly positioned.	Insert the piston guide in the correct position.
Stiff cycling action.	The tool needs to be cleaned.	Clean the tool. See section: 8.2.2 Cleaning the piston guide 18 19 20 21

10 Disposal



Most of the materials from which Hilti tools or appliances are manufactured can be recycled. The materials must be correctly separated before they can be recycled. In many countries, Hilti has already made arrangements for taking back old tools and appliances for recycling. Ask Hilti customer service or your Hilti representative for further information. If you bring the tool to a recycling facility yourself, follow the applicable regional and international directives and regulations.

11 Manufacturer's warranty - tools

Hilti warrants that the tool supplied is free of defects in material and workmanship. This warranty is valid so long as the tool is operated and handled correctly, cleaned and serviced properly and in accordance with the Hilti Operating Instructions, and the technical system is maintained. This means that only original Hilti consumables, components and spare parts, or other products of equivalent quality, may be used in the tool.

This warranty provides the free-of-charge repair or replacement of defective parts only over the entire lifespan of the tool. Parts requiring repair or replacement as a result of normal wear and tear are not covered by this warranty.

Additional claims are excluded, unless stringent national rules prohibit such exclusion. In particular, Hilti is not obligated for direct, indirect, incidental or consequential damages, losses or expenses in connection with, or by reason of, the use of, or inability to use the tool for any purpose. Implied warranties of merchantability or fitness for a particular purpose are specifically excluded.

For repair or replacement, send the tool or related parts immediately upon discovery of the defect to the address of the local Hilti marketing organization provided.

This constitutes Hilti's entire obligation with regard to warranty and supersedes all prior or contemporaneous comments and oral or written agreements concerning warranties.

12 EC declaration of conformity (original)

Designation:	Powder-actuated fastening tool
Type:	DX 76
Generation:	01
Year of design:	2004

We declare, on our sole responsibility, that this product complies with the following directives and standards: 2006/42/EC, 2011/65/EU.

Hilti Corporation, Feldkircherstrasse 100,
FL-9494 Schaan



Norbert Wohlwend
Head of Quality & Processes Management
BU Direct Fastening
04/2013



Tassilo Deinzer
Head of BU Direct Fastening
BU Direct Fastening
04/2013

Technical documentation filed at:

Hilti Entwicklungsgesellschaft mbH
Zulassung Elektrowerkzeuge
Hiltistrasse 6
86916 Kaufering
Deutschland

13 Confirmation of CIP testing

The Hilti DX 76 has been system and type tested. As a result, the tool bears the rectangular PTB approval mark showing approval number S 813. Hilti thus guarantees compliance with the approved type. Unacceptable de-

fects or deficiencies, etc. determined during use of the tool must be reported to the person responsible at the approval authority (PTB) and to the Office of the Permanent International Commission (C.I.P.).

14 Health and safety of the operator

14.1 Noise information

Powder-actuated fastening tool

Type	DX 76
Model	Series
Caliber	6.8/18 blue
Power regulation	4
Application	Fastening to 8 mm steel (400 MPa) with X-ENP 19 L15MX

Declared measured values of noise characteristics according to 2006/42/EC Machinery Directive in conjunction with DIN EN 15895

Noise (power) level, $L_{WA, 1s}^1$	114 dB (A)
Emission noise-pressure level in the work station, $L_{pA, 1s}^2$	110 dB (A)
Peak sound pressure emission level, $L_{pC, peak}^3$	139 dB (C)

¹ ± 2 dB (A)

² ± 2 dB (A)

³ ± 2 dB (C)

Operation and set-up conditions: Set-up and operation of the pin driver in accordance with E DIN EN 15895-1 in the semi-anechoic test room of Müller-BBM GmbH. The ambient conditions in the test room conform to DIN EN ISO 3745.

Testing procedure: Enveloping surface method in anechoic room on reflective surface area in accordance with E DIN EN 15895, DIN EN ISO 3745 and DIN EN ISO 11201.

NOTE The noise emissions measured and the associated measurement uncertainty represent the upper limit for the noise values to be expected during the measurements.
Variations in operating conditions may cause deviations from these emission values.

14.2 Vibration

Total vibration in accordance with 2006/42/EC does not exceed 2.5 m/s².

Further information about user health and safety can be found at www.hilti.com/hse.

en

DX 76 Appareil de scellement

fr

Avant de mettre l'appareil en marche, lire impérativement son mode d'emploi et bien respecter les consignes.

Le présent mode d'emploi doit toujours accompagner l'appareil.

Ne pas prêter ou céder l'appareil à un autre utilisateur sans lui fournir le mode d'emploi.

Sommaire	Page
1 Consignes de sécurité	18
2 Consignes générales	20
3 Description	21
4 Accessoires, consommables	23
5 Caractéristiques techniques	24
6 Mise en service	24
7 Utilisation	24
8 Nettoyage et entretien	28
9 Guide de dépannage	29
10 Recyclage	32
11 Garantie constructeur des appareils	33
12 Déclaration de conformité CE (original)	33
13 Certificat d'essais CIP	33
14 Santé de l'utilisateur et sécurité	34

1 Les chiffres renvoient aux illustrations respectives. Les illustrations qui se rapportent au texte se trouvent sur les pages rabattables. Pour lire le mode d'emploi, rabattre ces pages de manière à voir les illustrations.

Dans le présent mode d'emploi, « l'appareil » désigne toujours l'appareil de scellement DX 76.

Éléments constitutifs de l'appareil et organes de commande **1**

Appareil DX 76

- ① Chargeur à clous MX 76
- ② Pointe de pression
- ③ Orifice de montage pour capot de protection
- ④ Poignée d'armement
- ⑤ Compartiment du chargeur à cartouches
- ⑥ Fenêtre de contrôle de chargement
- ⑦ Molette de réglage de la puissance
- ⑧ Indicateur du réglage de la puissance
- ⑨ Couvercle (rembourrage d'appui)
- ⑩ Coque du boîtier
- ⑪ Poignée rembourrée
- ⑫ Détente
- ⑬ Levier pour le démontage du guide-piston
- ⑭ Manchon coulissant
- ⑮ Corps du chargeur
- ⑯ Pare-éclats chargeur à clous
- ⑰ Butée (élément)
- ⑱ Ouïes d'aération
- ⑲ Canon X-76-F-15
- ⑳ Capot de protection appareil

Pièces d'usure

- ⑲ Piston
- ⑳ Butée de piston

1 Consignes de sécurité

1.1 Remarques fondamentales concernant la sécurité

En plus des consignes de sécurité figurant dans les différentes sections du présent mode d'emploi, il importe de toujours bien respecter les directives suivantes.

1.1.1 Utilisation des cartouches

Utiliser exclusivement des cartouches Hilti ou cartouches d'une qualité comparable

En cas d'utilisation de cartouches de moindre qualité dans des outils Hilti, des dépôts de poudre non brûlée pourraient se former, susceptibles d'exploser subitement et de provoquer des blessures graves de l'utilisateur et des personnes se trouvant à proximité. Les cartouches doivent satisfaire à l'une des exigences minimales suivantes :

- a) Le fabricant concerné doit pouvoir démontrer que le contrôle de conformité à la norme UE EN 16264 a été effectué avec succès ou
- b) elles portent la marque de conformité CE (obligatoire à partir de juillet 2013 dans l'UE)

REMARQUE

Toutes les cartouches Hilti ont été testées avec succès selon la norme EN 16264 en vue de leur utilisation dans les cloueurs à poudre. Les contrôles définis par la norme EN 16264 correspondent à des tests systèmes impliquant des combinaisons de cartouches et d'outils spécifiques, effectués par des organismes de certification. La désignation de l'outil, le nom de l'organisme de certification ainsi que le numéro du test système doivent être imprimés sur l'emballage de la cartouche.

Pour voir des exemples d'emballages, se reporter à : www.hilti.com/dx-cartridges

1.1.2 Sécurité des personnes

- a) **Restez vigilant, surveillez ce que vous faites. Faites preuve de bon sens en utilisant un appareil de montage direct. N'utilisez pas l'appareil lorsque vous êtes fatigué ou après avoir consommé de l'alcool, des drogues ou avoir pris des médicaments.** Un moment d'inattention lors de l'utilisation de l'appareil peut entraîner de graves blessures sur les personnes.
- b) **Adopter une bonne posture. Veiller à toujours rester stable et à garder l'équilibre.**
- c) **Ne jamais diriger l'appareil vers soi ou vers une autre personne.**
- d) **Ne jamais appuyer l'appareil contre la paume de la main ou contre une autre partie du corps (ni contre une autre personne).**
- e) **Lors du travail, tenir toutes tierces personnes, notamment les enfants, éloignées de l'endroit d'intervention.**
- f) **Lors de l'utilisation de l'appareil, garder les bras fléchis (ne pas tendre les bras).**

1.1.3 Utilisation et emploi soigneux des appareils de montage direct

- a) **Utiliser l'appareil approprié. Ne pas utiliser l'appareil à des fins non prévues, mais seulement conformément aux spécifications et dans un excellent état.**
- b) **Appuyer l'appareil perpendiculairement à la surface de travail.**
- c) **Ne jamais laisser un appareil chargé sans surveillance.**
- d) **Toujours décharger l'appareil avant de le nettoyer, de l'entretenir, de le réviser, ainsi qu'après le travail et avant de le stocker (cartouche et éléments de fixation).**
- e) **Tous les appareils non utilisés doivent être déchargés, rangés dans un endroit sec, en hauteur ou fermé à clé, hors de portée des enfants.**
- f) **Vérifier que l'appareil et les accessoires ne présentent pas de dommages éventuels. Avant toute autre utilisation, les dispositifs de sécurité et les pièces légèrement usés doivent être soigneusement contrôlés pour garantir un excellent fonctionnement, conforme aux spécifications. Vérifier que toutes les pièces mobiles fonctionnent parfaitement et ne coïncent pas, et que les pièces ne sont pas abîmées. Toutes les pièces doivent être montées correctement et remplir toutes les conditions propres à garantir le parfait fonctionnement de l'appareil. Les dispositifs de sécurité et les pièces endommagés doivent être réparés ou remplacés de manière professionnelle par le S.A.V. Hilti, sauf indication contraire dans le mode d'emploi.**
- g) **Actionner la détente uniquement lorsque l'appareil est appuyé complètement à la verticale contre le matériau récepteur.**

- h) **Toujours maintenir l'appareil fermement et perpendiculairement au matériau récepteur pour effectuer un tir. Ainsi, l'élément de fixation n'est pas dévié du matériau récepteur.**
- i) **Ne jamais refixer l'élément de fixation par un deuxième tir, car l'élément risque de se rompre et se coincer.**
- j) **Ne jamais réaliser de fixation à travers des trous existants, sauf lorsque cela est recommandé par Hilti.**
- k) **Toujours respecter les consignes d'utilisation.**
- l) **Utiliser dans la mesure du possible les capots de protection.**
- m) **Ne pas retirer le chargeur/l'embase à la main, l'appareil peut, le cas échéant, se déclencher. Ceci peut également entraîner un tir sur les parties du corps.**

1.1.4 Place de travail



- a) **Veiller à ce que l'espace de travail soit bien éclairé.**
- b) **Utiliser l'appareil uniquement dans des emplacements bien aérés.**
- c) **Ne jamais implanter d'éléments de fixation dans un matériau support inapproprié.** Un matériau trop dur, tel que par exemple l'acier soudé ou l'acier fondu. Un matériau trop mou, tel que par exemple le bois ou le placoplâtre. Un matériau trop fragile, tel que par exemple le verre ou le carrelage. L'implantation dans ces types de matériaux peut entraîner la rupture de l'élément ainsi que des projections d'éclats, ou encore, le matériau risque d'être transpercé de part en part.
- d) **Ne jamais implanter de clous dans le verre, le marbre, le plastique, le bronze, le laiton, le cuivre, la roche, les matériaux isolants, la brique creuse, la brique céramique, les tôles minces (< 3 mm), la fonte et le béton cellulaire.**
- e) **Avant d'implanter des éléments de fixation, toujours vérifier que personne ne se trouve derrière ou en dessous de l'endroit d'intervention.**
- f) **Laisser le poste de travail en ordre. Débarrasser le poste de travail de tous objets susceptibles de blesser. Un lieu de travail en désordre peut entraîner des accidents.**
- g) **Les poignées doivent toujours être sèches, propres et exemptes de toutes traces de graisse ou d'huile.**
- h) **Porter des chaussures à semelle antidérapante.**
- i) **Prêter attention aux influences de l'environnement de l'espace de travail. Protéger l'appareil des intempéries, ne pas l'utiliser dans un environnement humide ou mouillé. Ne pas utiliser l'appareil dans des endroits présentant un danger d'incendie ou d'explosion.**

fr

1.1.5 Mesures de sécurité mécanique



- a) **Utiliser les combinaisons d'éléments de fixation et de l'embase appropriées.** Si la combinaison utilisée n'est pas correcte, cela risque d'entraîner des blessures corporelles, d'endommager l'appareil et / ou d'affecter la qualité de fixation.
- b) **Utiliser uniquement des éléments de fixation conçus et homologués pour l'appareil.**
- c) **Ne pas insérer d'éléments de fixation dans le chargeur, s'il n'est pas correctement monté sur l'appareil. Les éléments de fixation risquent d'être projetés.**
- d) **N'utiliser aucune butée de piston usée et n'effectuer aucune manipulation sur le piston.**

1.1.6 Mesures de sécurité thermique



- a) **En cas de surchauffe de l'appareil, le laisser refroidir. Ne pas dépasser la cadence de tir maximale.**
- b) **Porter impérativement des gants de protection lorsque des opérations d'entretien doivent être**

effectuées sans avoir laissé l'appareil refroidir au préalable.

- c) **Si le plastique des bandes de cartouches devait commencer à fondre, laisser refroidir l'appareil.**

1.1.7 Danger d'explosion



- a) **Utiliser uniquement les cartouches homologuées pour l'appareil.**
- b) **Retirer avec précaution la bande-chargeur de cartouches de l'appareil.**
- c) **Ne jamais essayer de retirer de force des cartouches de leur bande-chargeur ou de l'appareil.**
- d) **Les cartouches non utilisées doivent être rangées dans un endroit sec en hauteur ou fermé à clé, hors de portée des enfants.**

1.1.8 Équipement de protection individuelle



L'utilisateur et les personnes se trouvant à proximité pendant l'utilisation et toute intervention sur l'appareil doivent porter des lunettes de protection adaptées, un casque de protection et un casque antibruit.

2 Consignes générales

2.1 Termes signalant un danger et leur signification

DANGER

Pour un danger imminent qui peut entraîner de graves blessures corporelles ou la mort.

AVERTISSEMENT

Pour attirer l'attention sur une situation pouvant présenter des dangers susceptibles d'entraîner des blessures corporelles graves ou la mort.

ATTENTION

Pour attirer l'attention sur une situation pouvant présenter des dangers susceptibles d'entraîner des blessures corporelles légères ou des dégâts matériels.

REMARQUE

Pour des conseils d'utilisation et autres informations utiles.

2.2 Explication des pictogrammes et autres symboles d'avertissement

Symboles d'avertissement



Avertissement danger général



Avertissement substances explosives



Avertissement surfaces chaudes

Symboles d'obligation



Porter des lunettes de protection



Porter un casque de protection



Porter un casque antibruit



Porter des gants de protection



Lire le mode d'emploi avant d'utiliser l'appareil

Identification de l'appareil

La désignation du modèle et le numéro de série se trouvent sur la plaque signalétique de l'appareil. Inscrire ces renseignements dans le mode d'emploi et toujours s'y référer pour communiquer avec notre représentant ou agence Hilti.

Type :

Génération : 01

N° de série :

fr

3 Description

3.1 Utilisation conforme à l'usage prévu

L'appareil est destiné aux professionnels de l'industrie du bâtiment et des industries annexes pour planter des éléments de fixation dans l'acier.

L'appareil ne doit être utilisé qu'en le tenant des deux mains.

Toute manipulation ou modification de l'appareil est interdite.

L'appareil ne doit pas être utilisé dans une atmosphère déflagrante ou inflammable, sauf s'il est agréé pour cela.

Pour éviter tout risque de blessure, utiliser uniquement les éléments de fixation, cartouches, accessoires et pièces de rechange Hilti d'origine ou de qualité équivalente.

Bien respecter les consignes concernant l'utilisation, le nettoyage et l'entretien de l'appareil qui figurent dans le présent mode d'emploi.

L'appareil et ses accessoires peuvent s'avérer dangereux s'ils sont utilisés de manière incorrecte par un personnel non qualifié ou de manière non conforme à l'usage prévu.

L'appareil ne doit être utilisé, entretenu et réparé que par un personnel formé à cet effet. Ce personnel doit être au courant des dangers inhérents à l'utilisation de l'appareil.

Comme sur tous les appareils de scellement à poudre, l'appareil, le chargeur, les cartouches et les éléments de fixation constituent une unité technique. Ceci implique que l'utilisateur ne peut travailler sans problème avec ce système que s'il utilise les éléments de fixation et les cartouches Hilti spécialement fabriqués à cet usage ou d'autres produits de qualité équivalente. Les recommandations d'Hilti concernant les fixations et applications sont uniquement valables dans ces conditions.

L'appareil offre une protection 5 fois supérieure. Pour la sécurité de l'utilisateur de l'appareil et de son environnement de travail.

3.2 Principe du piston DX HILTI

L'énergie de la charge propulsive est transmise à un piston dont la masse, accélérée, enfonce le clou dans le matériau support. Du fait de l'utilisation du principe du piston, l'appareil est à classer en tant que "Low Velocity Tool". Environ 95 % de l'énergie cinétique est contenue dans le piston. Comme le piston est systématiquement arrêté dans l'appareil à la fin de chaque cycle de positionnement, l'excédent d'énergie reste dans l'appareil. Ce qui exclut tous transpercements dangereux du matériau support à des vitesses de sortie des éléments de plus de 100 m/s, à condition que l'appareil soit correctement utilisé.

3.3 Sécurité contre les tirs intempestifs en cas de chute

La sécurité contre les tirs intempestifs en cas de chute résulte de l'action combinée du mécanisme de mise à feu et de la course d'implantation. Elle évite toute mise à feu intempestive si l'appareil vient à tomber sur une surface dure, quel que soit l'angle de chute.

3.4 Sécurité de détente

La sécurité de détente empêche le déclenchement d'un tir lorsque seule la détente est pressée. Pour qu'il y ait percussion, il faut en plus que l'appareil prenne appui complètement contre un support solide.

3.5 Sécurité d'appui

La sécurité d'appui nécessite d'exercer une pression d'appui supérieure à 50 N pour que la percussion puisse se produire. Par conséquent, le tir n'est possible que si l'appareil est complètement appuyé contre le matériau support.

3.6 Sécurité de déclenchement

Par ailleurs, l'appareil est équipé d'une sécurité de déclenchement qui empêche toute percussion inopinée si la détente est pressée avant que l'appareil soit appuyé contre la surface de travail. Ainsi, le tir ne peut être déclenché que si l'appareil est d'abord fermement et correctement appuyé contre le matériau support et ensuite seulement, sa détente pressée.

3.7 Appareil DX 76, applications et liste des éléments de fixation

Fixation de profilés sur de l'acier, épaisseur de l'acier 6 mm jusqu'à acier plein

Liste	Désignation	Remarque
Éléments de fixation	X-ENP-19 L15 MX	10 clous en bande
Chargeur à clous	MX 76	
Piston	X-76-P-ENP	

Liste	Désignation	Remarque
Éléments de fixation	X-ENP-19 L15	Clou unitaire
Canon unitaire	X-76-F-15	

Fixation de profilés sur de l'acier, épaisseur de l'acier 3 à 6 mm

Liste	Désignation	Remarque
Éléments de fixation	ENP2K-20 L15 MX	10 clous en bande
Chargeur à clous	MX 76	
Piston	X-76-P-ENP2K	

Liste	Désignation	Remarque
Éléments de fixation	ENP2K-20 L15	Clou unitaire
Canon unitaire	X-76-F-15-P	

Fixation de goujons

Liste	Désignation	Remarque
Éléments de fixation	X-ENP-21 HVB	2 pièces par goujon
Goujon	X-HVB 50/ 80/ 95/ 110/ 125/ 140	
Canon	X-76-F-HVB	
Piston	X-76-P-HVB	

Fixation de profilés sur du béton (DX-Kwik)

Liste	Désignation	Remarque
Éléments de fixation	NPH2-42 L15	
Canon	X-76-F-Kwik	
Piston	X-76-P-Kwik	
Mèche à butée	TX-C 5/23	Mèche à butée pour pré-perçage

Éléments de fixation (diamètre de 10 mm) pour caillebotis

Liste	Désignation	Remarque
Éléments de fixation	EM8-15FP10, X-CRM8-15 FP10/ X-CR M8	Pour installer X-FCM, X-FCM-F, X-FCM-R, X-FCP-F, X-FCP-R
Canon	X-76-F-10	
Piston	X-76-P-GR	
Dispositif de pousoir	Dispositif de pousoir	Pour pousser en arrière les éléments de fixation
Dispositif de centrage	Dispositif de centrage 25	Pour le canon X-76-F-10
Dispositif de centrage	Dispositif de centrage 30	Pour le canon X-76-F-10

fr

Éléments de fixation (diamètre de 10 mm) pour diverses fixations sur support en acier et béton

Liste	Désignation	Remarque
Éléments de fixation	DS 27-37, DSH 57 P10	Il faut amorcer les clous d'une longueur supérieure à 62 mm pour fixer des lattes de bois sur du béton
Éléments de fixation	EDS 19-27 P10	Clous de fixation de lattes de bois sur acier
Éléments de fixation	EW10-30 P10, X-EW10-27 P10, X-EM10-24 P10	Goujons de 10 mm sur des supports en acier
Canon	X-76-F-10	
Piston	X-76-P-10	

4 Accessoires, consommables

Désignation	Code article, Description
Coffret Hilti	DX 76 KD, grand, avec compartiment à cartouches ver- rouillable
Coffret pour l'appareil à chargeur	DX 76 MX
Ensemble de nettoyage	DX 76 / 860-ENP, Brosse plate, écouvillon \varnothing 25, écou- villon \varnothing 8, chasse-pointe, chamoisette
Spray lubrifiant Hilti	
Kit piston et butée de piston	X-76-PS
Capot de protection pour chargeur et embases à gou- jon unique	
Calibre de vérification DX 76	

Type de cartouches	Désignation
Recharge maximale (États-Unis)	6.8/18 M noires (violette)
Recharge extra forte	6.8/18 M noires
Très forte recharge	6.8/18 M rouges
Forte recharge	6.8/18 M bleues
Faible recharge	6.8/18 M vertes

5 Caractéristiques techniques

Sous réserve de modifications techniques !

REMARQUE

*pour garantir un bon fonctionnement.

Appareil	DX 76 MX
Poids avec chargeur	4,35 kg
Dimensions (L × l × H)	450 mm × 101 mm × 352 mm
Capacité du chargeur	10 éléments
Course d'implantation	32 mm
Pression d'appui	190...240 N
Température de service / température ambiante	-15...+50 °C
Cadence de tir moyenne maximale*	600/h

fr

6 Mise en service



REMARQUE

Avant de mettre l'appareil en marche, lire impérativement son mode d'emploi et bien respecter les consignes.

6.1 Vérification de l'appareil

Vérifier qu'aucune bande de cartouches ne se trouve dans l'appareil. Si une bande de cartouches se trouve

dans l'appareil, la faire avancer en actionnant plusieurs fois la poignée d'armement jusqu'à ce qu'elle puisse être saisie côté sortie de cartouche et retirer la bande de cartouches en la tirant.

Vérifier toutes les pièces extérieures de l'appareil pour voir si elles ne sont pas abîmées et s'assurer que tous les organes de commande fonctionnent correctement. Ne pas utiliser l'appareil si des pièces sont abîmées ou si des organes de commande ne fonctionnent pas parfaitement. Faire réparer l'appareil par le S.A.V. Hilti. Vérifier le montage et l'usure du piston et de la butée de piston.

7 Utilisation



REMARQUE

Lorsque l'appareil est tenu par les deux mains, celles-ci doivent être positionnées de manière à ne pas obstruer les sorties.

AVERTISSEMENT

Pendant le tir, la matière peut sauter en éclats ou des fragments du matériau de bande de cartouches peuvent être projetés. **Porter (utilisateur et personnes environnantes) une protection oculaire et un casque de protection.** Les éclats de matériau peuvent entraîner des blessures corporelles et oculaires.

ATTENTION

L'implantation d'éléments de fixation est déclenchée par l'allumage d'une charge propulsive. **Porter (utilisateur et personnes environnantes) un casque antibruit.** Un bruit trop intense peut entraîner des lésions auditives.

AVERTISSEMENT

Lorsque l'appareil est appuyé contre une partie du corps (de la main par ex.), l'appareil n'est pas utilisé conformément aux consignes. Ceci peut également entraîner un tir sur les parties du corps (risque de se blesser avec les clous ou le piston). **Ne jamais appuyer l'appareil contre des parties du corps.**

ATTENTION

Ne jamais refixer l'élément de fixation par un deuxième tir, car l'élément risque de se rompre et se coincer.

ATTENTION

Ne jamais réaliser de fixation à travers des trous existants, sauf lorsque cela est recommandé par Hilti.

ATTENTION

En cas de surchauffe de l'appareil, le laisser refroidir.
Ne pas dépasser la cadence de tir maximale.

7.1 Utilisation

Directives concernant les fixations. Toujours respecter ces directives d'utilisation.

REMARQUE

Pour de plus amples informations, se référer aux directives techniques de la filiale Hilti locale ou, le cas échéant, aux prescriptions techniques nationales.

7.2 Comportement en cas de ratés

En cas de tirs ratés, toujours procéder de la manière suivante :

Tenir l'appareil appuyé contre la surface de travail pendant 30 secondes.

Si la cartouche ne percute toujours pas, dégager l'appareil de la surface de travail, et ce faisant, prendre soin de ne jamais le pointer contre soi ou en direction d'une autre personne.

Faire avancer la bande de cartouches en armant successivement cartouche par cartouche ; continuer d'utiliser les cartouches qui restent dans la bande de cartouches ; une fois la bande de cartouches terminée, la retirer et l'éliminer de sorte qu'elle ne puisse être ni réutilisée ni utilisée à mauvais escient.

7.2.1 Insertion des bandes d'éléments de fixation dans le chargeur 2

Introduire la bande d'éléments de fixation par le haut dans le chargeur, jusqu'à ce que la butée s'encliquette au niveau de la rondelle du dernier élément.

7.2.2 Sélection des cartouches 3

1. Déterminer la dureté de l'acier et l'épaisseur du matériau support.
2. Sélectionner la cartouche appropriée ainsi que le réglage de puissance selon les recommandations relatives à la cartouche.

REMARQUE Pour des recommandations détaillées relatives à la cartouche, consulter les homologations correspondantes ou la notice Hilti sur la fixation directe.

7.2.3 Mise en place de la bande de cartouches 4

Pousser la bande de cartouches à fond dans le compartiment du chargeur à cartouches latéral.

7.2.4 Pose à l'aide de l'appareil de scellement à chargeur 5

1. Appuyer l'appareil perpendiculairement à la surface de travail.
2. Appuyer sur la détente pour déclencher le tir.
3. Pour effectuer une nouvelle pose, pousser la poignée d'armement vers l'arrière puis à nouveau vers l'avant.

7.2.5 Vérification et réglage de la puissance de tir 6 7

REMARQUE

Tourner la molette de réglage pour régler la puissance de l'appareil. (Niveau 1 = Minimum ; Niveau 4 = Maximum)

1. À l'aide du calibre de vérification, contrôler le dépasement du clou.
2. Si un élément de fixation est trop peu enfoncé, la puissance doit être augmentée. Augmenter la puissance d'un cran à l'aide de la molette de réglage de la puissance. Si un élément de fixation est trop profondément enfoncé, la puissance doit être réduite. Réduire la puissance d'un cran à l'aide de la molette de réglage de la puissance.
3. Insérer un élément de fixation.
4. À l'aide du calibre de vérification, contrôler le dépasement du clou.
5. Si l'élément de fixation est encore trop peu ou trop enfoncé, répéter les étapes 2 à 4 jusqu'à obtenir la saillie voulue. Le cas échéant, utiliser une cartouche d'éléments plus, respectivement, moins puissante.

7.3 Déchargement de l'appareil

7.3.1 Retrait des cartouches hors de l'appareil 8

AVERTISSEMENT

Ne jamais essayer de retirer de force des cartouches de leur bande de cartouches ou de l'appareil.

1. Faire avancer la bande de cartouches en actionnant plusieurs fois la poignée d'armement jusqu'à ce que l'ouverture de retrait de la cartouche soit visible.
2. Retirer la bande de cartouches de l'ouverture de retrait.

7.3.2 Retrait des bandes d'éléments de fixation de l'appareil de scellement à chargeur 9

AVERTISSEMENT

Vérifier qu'aucune bande de cartouches ne se trouve dans l'appareil. Si une bande de cartouches se trouve dans l'appareil, actionner la poignée d'armement sur l'appareil jusqu'à ce que la cartouche soit visible, puis la retirer manuellement par l'ouverture de retrait de la cartouche.

ATTENTION

La bande d'éléments est éjectée sous l'effet de la tension du ressort.

1. Enfoncer la bande d'éléments de fixation de 5 mm supplémentaires dans le chargeur et la maintenir fermement dans cette position.
2. Pousser la butée rouge vers l'avant avec le pouce et la maintenir fermement dans cette position.
3. Sortir la bande d'éléments de fixation du chargeur.

fr

7.4 Remplacement du chargeur à clous ou du canon (accessoire)

7.4.1 Démontage 10

AVERTISSEMENT

Aucune cartouche ne doit se trouver dans l'appareil. Aucun élément de fixation ne doit se trouver dans le chargeur à clous ou dans l'embase.

ATTENTION

Après l'utilisation, les pièces constitutives à manipuler peuvent être brûlantes. **Porter impérativement des gants de protection lorsque les étapes d'entretien suivantes doivent être effectuées sans avoir laissé l'appareil refroidir au préalable.**

1. S'assurer que la poignée d'armement se trouve dans sa position initiale.
2. Dévisser le canon (ou le chargeur).
3. Retirer du chargeur le piston du guide-piston et la butée de piston.

7.4.2 Montage 11

1. Insérer la butée de piston comme il convient dans le canon (ou le chargeur) à monter.
2. S'assurer que la poignée d'armement se trouve dans sa position initiale.
3. Insérer le piston approprié dans le guide-piston dans l'appareil.
4. Revisser le canon (ou le chargeur) jusqu'en butée sur le guide-piston et le tourner jusqu'à ce qu'il s'enclenche.
5. Actionner une fois la poignée d'armement.

7.5 Pose à l'aide de l'embase unitaire (accessoire)

AVERTISSEMENT

Vérifier que le capot de protection est monté sur l'appareil.

7.5.1 Insertion d'éléments de fixation dans le canon unitaire 12

1. Tourner l'appareil de sorte que le canon soit orienté vers le haut.
2. Insérer l'élément de fixation par le haut dans l'appareil.

7.5.2 Sélection des cartouches 3

1. Déterminer la dureté de l'acier et l'épaisseur du matériau support.
2. Sélectionner la cartouche appropriée ainsi que le réglage de puissance selon les recommandations relatives à la cartouche.

REMARQUE Pour des recommandations détaillées relatives à la cartouche, consulter les homologations correspondantes ou la notice Hilti sur la fixation directe.

7.5.3 Mise en place de la bande de cartouches 4

Pousser la bande de cartouches à fond dans le compartiment du chargeur à cartouches latéral.

7.5.4 Pose à l'aide de l'appareil de scellement individuel

1. Appuyer l'appareil perpendiculairement à la surface de travail.
2. Appuyer sur la détente pour déclencher le tir.
3. Pour effectuer une nouvelle pose, pousser la poignée d'armement vers l'arrière puis à nouveau vers l'avant.

7.5.5 Vérification et réglage de la puissance de tir 6 7

REMARQUE

Tourner la molette de réglage pour régler la puissance de l'appareil. (Niveau 1 = Minimum ; Niveau 4 = Maximum)

Contrôler la puissance de tir et le réglage de puissance conformément au paragraphe 7.2.5 "Vérification et réglage de la puissance de tir".

7.6 Fixation de goujons (accessoire) 13 14

AVERTISSEMENT

Vérifier que le capot de protection est monté sur l'appareil.

7.6.1 Insertion d'un élément dans le canon HVB

REMARQUE

Insertion du premier élément dans le goujon

1. Monter le canon HVB conformément au paragraphe 7.4 "Remplacement/ Montage du chargeur à clous ou du canon (accessoire)".
2. Tourner l'élément coulissant jusqu'à ce qu'il s'enclenche et que le chiffre 1 soit visible.
3. Tourner l'appareil de sorte que le canon soit orienté vers le haut.
4. Guider l'élément par le haut à travers l'orifice marqué dans l'appareil.

7.6.2 Mise en place de la bande de cartouches 4

REMARQUE

Pour la fixation de goujons HVB, utiliser de préférence des cartouches noires ou, dans certains cas aussi, des cartouches rouges. Pour des recommandations détaillées relatives à la cartouche, consulter les homologations correspondantes ou la notice Hilti sur la fixation directe.

Pousser la bande de cartouches à fond dans le compartiment du chargeur à cartouches latéral.

7.6.3 Pose à l'aide du canon HVB 14

1. Monter le goujon sur l'embase. Il est maintenu par un aimant.
2. Appuyer l'appareil perpendiculairement à la surface de travail.
3. Appuyer sur la détente pour déclencher le tir.
4. Pour effectuer une nouvelle pose, pousser la poignée d'armement vers l'arrière puis à nouveau vers l'avant.

7.6.4 Vérification et réglage de la puissance de tir **6 7**

REMARQUE

Tourner la molette de réglage pour régler la puissance de l'appareil. (Niveau 1 = Minimum ; Niveau 4 = Maximum)

Contrôler la puissance de tir et le réglage de puissance conformément au paragraphe 7.2.5 "Vérification et réglage de la puissance de tir".

7.6.5 Insertion du deuxième élément dans le canon HVB **15**

REMARQUE

Insertion du deuxième élément dans le goujon

1. Tourner l'élément coulissant jusqu'à ce qu'il s'enclenche et que le chiffre 2 soit visible.
2. Tourner l'appareil de sorte que le canon soit orienté vers le haut.
3. Guider l'élément par le haut à travers l'orifice marqué dans l'appareil.

7.6.6 Insertion du canon HVB **14**

1. Insérer l'embase dans l'étrier de fixation et appuyer l'appareil perpendiculairement à la surface de travail.
2. Appuyer sur la détente pour déclencher le tir.
3. Pour effectuer une nouvelle pose, pousser la poignée d'armement vers l'arrière puis à nouveau vers l'avant.

7.7 Fixation de caillebotis (accessoire)

AVERTISSEMENT

Vérifier que le capot de protection est monté sur l'appareil.

7.7.1 Insertion d'un élément dans l'embase X-GR (F8)

1. Monter le caillebotis conformément au paragraphe 7.4 "Remplacement/ Montage du chargeur à clous ou de l'embase (accessoire)".
2. Tourner l'appareil de sorte que l'embase soit orientée vers le haut.
3. Insérer l'élément de fixation par le haut dans l'appareil.

7.7.2 Mise en place de la bande de cartouches **4**

Pousser la bande de cartouches à fond dans le compartiment du chargeur à cartouches latéral.

7.7.3 Pose à l'aide du canon à caillebotis **13**

1. Appuyer l'appareil perpendiculairement à la surface de travail.
2. Appuyer sur la détente pour déclencher le tir.
3. Si possible, vérifier la profondeur d'enfoncement en mesurant la saillie du goujon.
4. Si une bride est utilisée, la visser (couple de serrage de 5 à 8 Nm).
5. Pour effectuer une nouvelle pose, pousser la poignée d'armement vers l'arrière puis à nouveau vers l'avant.

7.7.4 Vérification et réglage de la puissance de tir **6 7**

REMARQUE

Tourner la molette de réglage pour régler la puissance de l'appareil. (Niveau 1 = Minimum ; Niveau 4 = Maximum)

Contrôler la puissance de tir et le réglage de puissance conformément au paragraphe 7.2.5 "Vérification et réglage de la puissance de tir".

7.8 Fixation avec l'embase F10

AVERTISSEMENT

Vérifier que le capot de protection est monté sur l'appareil.

Pour la fixation, procéder avec l'embase F10 comme pour la fixation pour caillebotis (chapitre 7.7.).

7.9 Fixation de profilés sur du béton (accessoire DX Kwik)

AVERTISSEMENT

Vérifier que le capot de protection est monté sur l'appareil.

7.9.1 Insertion d'un élément dans le canon DX Kwik

1. Monter le canon DX Kwik conformément au paragraphe 7.4 "Remplacement/ Montage du chargeur à clous ou du canon (accessoire)".
2. Tourner l'appareil de sorte que le canon soit orienté vers le haut.
3. Insérer l'élément de fixation par le haut dans l'appareil.

7.9.2 Mise en place de la bande de cartouches

REMARQUE

Pour la fixation de profilés sur du béton, utiliser de préférence des cartouches bleues. Pour des recommandations détaillées relatives à la cartouche, consulter les homologations correspondantes ou la notice Hilti sur la fixation directe.

Pousser la bande de cartouches à fond dans le compartiment du chargeur à cartouches latéral.

7.9.3 Pose à l'aide du canon DX Kwik **17**

1. Percer préalablement le profilé ainsi que le matériau support en béton à l'aide de la mèche à butée.
2. Insérer le clou saillant du canon dans le trou préalablement percé et appuyer l'appareil perpendiculairement.
3. Appuyer sur la détente pour déclencher le tir.
4. Pour effectuer une nouvelle pose, pousser la poignée d'armement vers l'arrière puis à nouveau vers l'avant.

7.9.4 Vérification et réglage de la puissance de tir **6 7**

REMARQUE

Tourner la molette de réglage pour régler la puissance de l'appareil. (Niveau 1 = Minimum ; Niveau 4 = Maximum)

Contrôler la puissance de tir et le réglage de puissance conformément au paragraphe 7.2.5 "Vérification et réglage de la puissance de tir".

fr

8 Nettoyage et entretien



ATTENTION

Lors d'un fonctionnement normal et régulier de l'appareil, les pièces constitutives importantes s'encrassent et s'usent. **Pour que l'appareil fonctionne de manière fiable et sûre, l'inspecter et l'entretenir régulièrement. Nous recommandons de nettoyer l'appareil et de vérifier les pistons et les butées de piston au moins une fois par jour en cas d'utilisation intensive, au plus tard tous les 3000 tirs !**

AVERTISSEMENT

Aucune cartouche ne doit se trouver dans l'appareil. Aucun élément de fixation ne doit se trouver dans le chargeur à clous ou dans l'embase.

ATTENTION

L'appareil peut être très chaud après utilisation. L'utilisateur risque de se brûler les mains. **Pour les travaux de nettoyage et d'entretien, utiliser des gants de protection. Laisser refroidir l'appareil.**

8.1 Nettoyage de l'appareil

Nettoyer régulièrement l'extérieur de l'appareil avec un chiffon légèrement humide.

REMARQUE

Ne pas utiliser de spray ni de jet de vapeur pour nettoyer l'appareil ! Ne jamais faire fonctionner l'appareil si ses ouïes d'aération sont bouchées ! Éviter toute pénétration de corps étrangers à l'intérieur de l'appareil.

8.2 Entretien

Vérifier régulièrement toutes les pièces extérieures de l'appareil pour voir si elles ne sont pas abîmées et s'assurer que tous les organes de commande fonctionnent correctement. Ne pas utiliser l'appareil si des pièces sont abîmées ou si des organes de commande ne fonctionnent pas parfaitement. Faire réparer l'appareil par le S.A.V. Hilti.

Faire fonctionner l'appareil uniquement avec les cartouches et le réglage de puissance recommandés. Un mauvais choix de cartouche ou un réglage de puissance trop élevé peut entraîner une défaillance prématurée de pièces de l'appareil.

ATTENTION

Les saletés dans les appareils DX contiennent des substances susceptibles de nuire à la santé. **Veiller à ne pas inspirer de poussières / salissures d'aspiration. Éviter**

que les poussières / salissures n'entrent en contact avec de la nourriture. **Se laver les mains après le nettoyage de l'appareil. Ne jamais utiliser de graisse pour l'entretien / la lubrification des composants de l'appareil. Ceci peut entraîner des dysfonctionnements de l'appareil. Utiliser exclusivement le lubrifiant Hilti ou des produits de qualité équivalente.**

8.2.1 Vérification du piston, remplacement du piston / de la butée de piston

AVERTISSEMENT

Aucune cartouche ne doit se trouver dans l'appareil. Aucun élément de fixation ne doit se trouver dans le chargeur à clous ou dans l'embase.

ATTENTION

Après l'utilisation, les pièces constitutives à manipuler peuvent être brûlantes. **Porter impérativement des gants de protection lorsque les étapes d'entretien suivantes doivent être effectuées sans avoir laissé l'appareil refroidir au préalable.**

REMARQUE

Des échecs répétés de tir peuvent entraîner une usure du piston et de la butée de piston. Si le piston est fissuré, et /ou l'élastomère de la butée de piston est fortement usé, ces composants ont atteint la fin de leur durée de service.

REMARQUE

La vérification du piston et de la butée de piston doit être effectuée à intervalles réguliers, au moins une fois par jour.

REMARQUE

Pour remplacer le piston et la butée de piston, seul le chargeur ou le canon doit être dévissé. Le guide-piston ne doit pas être démonté.

1. Dévisser le canon (ou le chargeur).
2. Retirer le piston du guide-piston.
3. Vérifier que le piston n'est pas endommagé. S'ils sont endommagés, le piston ET la butée de piston doivent être remplacés.

REMARQUE Vérifier que le piston n'est pas déformé en le faisant rouler sur une surface lisse. N'utiliser aucun piston usé et n'effectuer aucune manipulation sur le piston.

4. Si le piston doit être remplacé, sortir la butée de piston du canon.

5. Insérer la nouvelle butée de piston comme il convient dans le canon (ou le chargeur) à monter.
REMARQUE Vaporiser l'orifice de la butée de piston avec le spray Hilti.
6. Insérer le piston dans le guide-piston dans l'appareil.
7. Revisser le canon (ou le chargeur) jusqu'en butée sur le guide-piston et le tourner jusqu'à ce qu'il s'enclenche.
8. Actionner une fois la poignée d'armement.

8.2.2 Nettoyage du guide-piston 18 19 20 21

AVERTISSEMENT

Aucune cartouche ne doit se trouver dans l'appareil. Aucun élément de fixation ne doit se trouver dans le chargeur à clous ou dans l'embase.

ATTENTION

Après l'utilisation, les pièces constitutives à manipuler peuvent être brûlantes. **Porter impérativement des gants de protection lorsque les étapes d'entretien suivantes doivent être effectuées sans avoir laissé l'appareil refroidir au préalable.**

1. S'assurer que la poignée d'armement se trouve dans sa position initiale.
2. Dévisser le chargeur (ou le canon).
3. Retirer du chargeur (ou du canon) le piston du guide-piston et la butée de piston.
4. **ATTENTION Tenir l'appareil impérativement avec le guide-piston vers le haut, pour éviter que le guide-piston ne tombe.**
Faire sortir le levier pour démonter le guide-piston.
5. Sortir le guide-piston de l'appareil.
REMARQUE Ne pas démonter davantage le guide-piston.
6. Nettoyer le support du guide-piston dans l'appareil.

7. À l'aide des grands écouvillons, nettoyer la surface du guide-piston à l'intérieur et à l'extérieur.
8. À l'aide du petit écouvillon, nettoyer l'orifice prévu pour la broche d'ajustement, et à l'aide de l'écouvillon conique, le logement de la cartouche.
9. Vaporiser l'élément coulissant et le collet du guide-piston avec le spray Hilti.
10. Vaporiser les pièces en acier à l'intérieur de l'appareil avec le spray Hilti.
REMARQUE L'utilisation de lubrifiants autres que le spray Hilti risque d'endommager les pièces en caoutchouc.
11. S'assurer que la poignée d'armement se trouve dans sa position initiale.
12. Pousser le guide-piston dans l'appareil.
13. Appuyer légèrement sur le guide-piston.
REMARQUE Il est seulement possible d'actionner le levier lorsque le guide-piston est légèrement pressé (de quelques mm). S'il n'est toujours pas possible d'actionner le levier, se référer au chapitre 9 Guide de dépannage.
14. Faire rentrer le levier tout en appuyant légèrement sur le guide-piston.
15. Insérer le piston dans le guide-piston.
16. Remonter la butée de piston.
17. Revisser le canon (ou le chargeur) jusqu'en butée sur le guide-piston et le tourner jusqu'à ce qu'il s'enclenche.
18. Par l'orifice derrière la poignée d'armement, lubrifier le mécanisme d'armement des cartouches avec le spray Hilti.
19. Actionner une fois la poignée d'armement.

8.3 Contrôle après des travaux de nettoyage et d'entretien

Après des travaux de nettoyage et d'entretien et avant d'insérer la cartouche, vérifier si tous les équipements de protection sont bien en place et fonctionnent parfaitement.

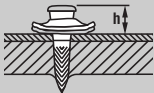
9 Guide de dépannage

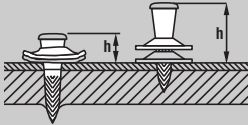

AVERTISSEMENT

Avant les travaux d'élimination des défauts, l'appareil doit être déchargé.

Défauts	Causes possibles	Solutions
La cartouche n'est pas transportée.	La bande de cartouches est endommagée.	Remplacer la bande de cartouches. Voir chapitre : 7.3.1 Retrait des cartouches hors de l'appareil B
	Appareil endommagé.	Contacteur Hilti.

Défauts	Causes possibles	Solutions
Impossible de retirer la bande de cartouches.	L'appareil est endommagé ou surchauffé en raison d'une cadence de tir élevée.	Laisser l'appareil refroidir et réessayer de retirer prudemment la bande de cartouches. Démonter le guide-piston de l'appareil. Si l'embase est coincée dans le logement de la cartouche, la retirer à l'aide du bâton rond se trouvant dans le kit de nettoyage. Si le problème persiste, contacter Hilti. AVERTISSEMENT Ne jamais essayer de retirer de force des cartouches de leur bande-chargeur ou de l'appareil.
Pas de percussion de la cartouche.	L'appareil n'est pas correctement appuyé.	Appuyer correctement l'appareil et déclencher un nouveau tir.
	La bande de cartouches est vide.	Décharger la bande de cartouches et en charger une nouvelle.
	Le chargeur ou l'embase n'est pas suffisamment serré.	Resserrer le chargeur.
	Une cartouche est défectueuse.	Réarmer et utiliser les cartouches restantes.
	L'appareil est défectueux ou les cartouches sont défectueuses.	Contacteur Hilti.
	L'appareil ne réarme pas.	Réarmer l'appareil. Voir chapitre : 8.2.2 Nettoyage du guide-piston 18 19 20 21
Enfoncement du clou trop important.	Le tir est à côté de la poutre.	Marquer la position de la poutre et répéter la pose sur la poutre. Corriger l'exécution du travail de sorte que la tôle repose à fleur sur le matériau support.
	Un piston erroné a été mis en place.	Vérifier que la combinaison matériel piston / élément est correcte.
	Le piston est usé.	Remplacer le piston et la butée de piston.
Enfoncement insuffisant du clou.	Tir à côté de la poutre.	2. Déplacer le point de tir.
	L'épaisseur du matériau support et/ou la résistance du matériau support est (sont) modifiée(s).	Augmenter la puissance selon les recommandations pour la cartouche, resp. insérer une cartouche plus puissante.
	La puissance est trop faible.	Augmenter la puissance selon les recommandations pour la cartouche, resp. insérer une cartouche plus puissante.
	L'appareil est trop encrassé.	Nettoyer l'appareil.
	Le piston est usé.	Remplacer le piston et la butée de piston.
	Appareil endommagé.	Contacteur Hilti.
	Un piston erroné a été mis en place.	Vérifier que la combinaison matériel piston / élément est correcte.



Défauts	Causes possibles	Solutions
Enfoncement du clou très irrégulier. 	L'appareil a été appuyé brutalement	Éviter tout appui brutal.
	Armement irrégulier, partiellement incomplet.	Réarmement complet
	Puissance irrégulière de l'appareil.	Nettoyer l'appareil. Insérer des pièces de rechange neuves. Si les irrégularités ne sont pas corrigées, contacter Hilti.
Rupture par cisaillement. 	La pointe du piston est usée ou partiellement cassée.	Remplacer le piston et la butée de piston.
	Tir à côté de la poutre.	2. Déplacer le point de tir.
	L'épaisseur du matériau support et/ou la résistance du matériau support est (sont) élevée(s).	Vérifier les recommandations en matière d'éléments. Si la compatibilité est vérifiée, augmenter la puissance en respectant les recommandations relatives à la cartouche ou utiliser une cartouche plus puissante.
Absence de détente de l'appareil.	Le piston coince dans la butée de piston.	Remplacer le piston et la butée de piston.
	L'appareil est trop encrassé.	Nettoyage du guide-piston Vérifier que le piston est droit. Nettoyer l'appareil. Voir chapitre : 8.2.2 Nettoyage du guide-piston 18 19 20 21
	La bande de cartouches est coincée, l'appareil surchauffe.	Voir l'erreur « Impossible de retirer la bande de cartouches ». Respecter la cadence de tir maximale.
Déclenchement impossible.	L'appareil n'a pas été correctement armé, la poignée d'armement n'est pas dans sa position d'origine.	Armer complètement l'appareil, mettre la poignée d'armement dans sa position d'origine.
	Tentative de déclenchement avant d'avoir correctement appuyé l'appareil.	Appuyer complètement sur l'appareil puis déclencher.
	Défaillances du transport des éléments de fixation	Voir chapitre : 7.2.1 Insertion des bandes d'éléments de fixation dans le chargeur 2 Voir chapitre : 7.3.2 Retrait des bandes d'éléments de fixation de l'appareil de scellement à chargeur 9
	Le chargeur ou l'embase n'est pas complètement serré.	Revisser à fond le chargeur et l'embase à goujon unique.
	Appareil endommagé.	Contacter Hilti.
	L'appareil est trop encrassé.	Nettoyage du guide-piston Vérifier que le piston est droit. Nettoyer l'appareil. Voir chapitre : 8.2.2 Nettoyage du guide-piston 18 19 20 21
Aucun élément de fixation implanté.	Tentative de déclenchement avant d'avoir correctement appuyé l'appareil.	Appuyer complètement sur l'appareil puis déclencher.
	L'appareil n'a pas été correctement armé, la poignée d'armement n'est pas dans sa position d'origine.	Armer complètement l'appareil, mettre la poignée d'armement dans sa position d'origine.

Défauts	Causes possibles	Solutions
Aucun élément de fixation implanté.	L'élément de fixation n'est pas inséré.	Insérer l'élément de fixation dans l'appareil.
	Mauvais acheminement des clous dans le chargeur.	Contacteur Hilti.
	Le piston n'est pas inséré.	Insérer le piston dans l'appareil.
	Le piston est cassé.	Remplacer le piston et la butée de piston.
	Le piston n'est pas revenu dans sa position initiale.	Contacteur Hilti.
	L'embase est encrassée.	Nettoyer l'embase et la pièce à rapporter à l'aide des brosses prévues. Lubrifier avec le spray Hilti.
	Les éléments de fixation sont coincés dans l'embase.	Retirer les éléments de fixation coincés. Retirer les restes de plastique de bandes de cartouches du chargeur de l'appareil. Éviter les ruptures par cisaillement. (voir ci-avant) Éviter les tirs à côté de la poutre ; le cas échéant, marquer avec plus de précision.
Impossible de visser complètement le canon.	La butée de piston est mise en place à l'envers.	Dévisser le canon. Mettre la butée de piston dans le bon sens et revisser le canon.
	Le guide-piston qui se trouve derrière le filetage de montage est encrassé.	Nettoyer et lubrifier les filetages.
Impossible de monter le piston.	L'appareil, notamment le guide-piston, est encrassé.	Nettoyer le guide-piston et remonter l'appareil.
	Le nez de l'élément coulissant dé-passe dans le guide-piston et bloque le piston.	Tirer le nez de l'élément coulissant en position avant jusqu'à ce qu'il puisse s'enclencher.
Impossible de monter le guide-piston.	Le levier est en position fermée.	Ouvrir le levier.
	Le guide-piston est mal positionné.	Insérer le guide-piston comme il convient.
Armement difficile.	L'appareil est encrassé.	Nettoyer l'appareil. Voir chapitre : 8.2.2 Nettoyage du guide-piston 18 19 20 21

10 Recyclage



Les appareils Hilti sont fabriqués pour une grande part en matériaux recyclables dont la réutilisation exige un tri correct. Dans de nombreux pays, Hilti est déjà équipé pour reprendre votre ancien appareil afin d'en recycler les composants. Consulter le service clients Hilti ou votre conseiller commercial. Pour trier soi-même les composants de l'appareil en vue de leur recyclage : se conformer aux directives et règlements régionaux et internationaux.

11 Garantie constructeur des appareils

Hilti garantit l'appareil contre tout vice de matières et de fabrication. Cette garantie s'applique à condition que l'appareil soit utilisé et manipulé, maintenu et entretenu correctement et conformément au mode d'emploi Hilti, et que l'intégrité technique soit préservée, c'est-à-dire sous réserve de l'utilisation exclusive de consommables, accessoires et pièces de rechange d'origine Hilti, ou d'autres produits de valeur et de qualité identique.

Cette garantie se limite strictement à la réparation gratuite ou au remplacement gracieux des pièces défectueuses pendant toute la durée de vie de l'appareil. Elle ne couvre pas les pièces soumises à une usure normale.

Toutes autres revendications sont exclues pour autant que des dispositions légales nationales impé-

ratives ne s'y opposent pas. En particulier, Hilti ne saurait être tenu pour responsable de toutes détériorations, pertes ou dépenses directes, indirectes, accidentelles ou consécutives, en rapport avec l'utilisation ou dues à une incapacité à utiliser l'appareil dans quelque but que ce soit. Hilti exclut en particulier les garanties implicites concernant l'utilisation et l'aptitude dans un but bien précis.

Pour toute réparation ou tout échange, renvoyer l'appareil ou les pièces concernées au réseau de vente Hilti compétent, sans délai, dès constatation du défaut.

La présente garantie couvre toutes les obligations d'Hilti et annule et remplace toutes les déclarations antérieures ou actuelles, de même que tous accords oraux ou écrits concernant des garanties.

fr

12 Déclaration de conformité CE (original)

Désignation :	Appareil de scellement
Désignation du modèle :	DX 76
Génération :	01
Année de fabrication :	2004

Nous déclarons sous notre seule et unique responsabilité que ce produit est conforme aux directives et normes suivantes : 2006/42/CE, 2011/65/UE.

Hilti Corporation, Feldkircherstrasse 100,
FL-9494 Schaan



Norbert Wohlwend
Head of Quality & Processes Management
BU Direct Fastening
04/2013



Tassilo Deinzer
Head of BU Direct Fastening
BU Direct Fastening
04/2013

Documentation technique par :

Hilti Entwicklungsgesellschaft mbH
Zulassung Elektrowerkzeuge
Hiltistrasse 6
86916 Kaufering
Deutschland

13 Certificat d'essais CIP

L'appareil Hilti DX 76 est certifié et homologué. En conséquence, les appareils portent le sigle d'homologation PTB de forme carrée avec le numéro d'homologation S 813. Hilti garantit ainsi la bonne conformité des appa-

reils avec le modèle homologué. Tous défauts ou vices inadmissibles constatés au cours de l'utilisation de l'appareil doivent absolument être signalés au responsable de l'organisme certificateur (PTB) et au bureau de la Commission Internationale Permanente (C.I.P.).

14 Santé de l'utilisateur et sécurité

14.1 Valeurs de niveaux sonores

Appareil de scellement à cartouches

Type	DX 76
Modèle	Série
Calibre	6.8/18 bleu
Réglage de puissance	4
Application	Fixation sur de l'acier de 8 mm (400 MPa) à l'aide de X-ENP 19 L15MX

Valeurs de mesure déclarées à la directive sur les machines 2006/42/CE en liaison avec E DIN EN 15895

Niveau de puissance acoustique, $L_{WA, 1s}^1$	114 dB (A)
Niveau de pression acoustique sur le lieu de travail, $L_{pA, 1s}^2$	110 dB (A)
Niveau de pression acoustique de pointe d'émission, $L_{pC, peak}^3$	139 dB (C)

¹ ± 2 dB (A)

² ± 2 dB (A)

³ ± 2 dB (C)

Conditions d'utilisation et d'installation : installation et utilisation du cloueur à poudre conformément à E DIN EN 15895-1 dans la chambre de simulation anéchoïque de la société Müller-BBM GmbH. Les conditions ambiantes dans la chambre de simulation sont en conformité avec la norme DIN EN ISO 3745.

Procédé de contrôle : conformément à E DIN EN 15895, DIN EN ISO 3745 et DIN EN ISO 11201, la méthode de la surface enveloppante en champ libre sur une surface réfléchissante.

REMARQUE : Les émissions acoustiques mesurées et l'incertitude de mesure afférente correspondent à la limite supérieure des valeurs acoustiques pouvant être obtenues lors des mesures.

Les valeurs d'émission de bruit peuvent varier suivant les conditions de travail.

14.2 Vibration

La valeur totale des vibrations devant être indiquée conformément à 2006/42/CE ne dépasse pas 2,5 m/s².

Des informations complémentaires concernant la santé de l'utilisateur et la sécurité sont disponibles sur le site Internet de Hilti www.hilti.com/hse.

DX 76 Plunjerschiethamer

Lees de handleiding voor het eerste gebruik beslist door.

Bewaar deze handleiding altijd bij het apparaat.

Geef het apparaat alleen samen met de handleiding aan andere personen door.

Inhoud	Pagina
1 Veiligheidsinstructies	35
2 Algemene opmerkingen	37
3 Beschrijving	38
4 Toebehoren, verbruiksmateriaal	40
5 Technische gegevens	40
6 Inbedrijfneming	41
7 Bediening	41
8 Verzorging en onderhoud	45
9 Foutopsporing	46
10 Afval voor hergebruik recyclen	49
11 Fabrieksgarantie op de apparatuur	49
12 EG-conformiteitsverklaring (origineel)	50
13 CIP-keuringsbewijs	50
14 Gezondheid en veiligheid van de gebruiker	50

1 Deze nummers verwijzen naar afbeeldingen. De afbeeldingen bij de tekst vindt u op de uitklapbare omslagpagina's. Houd deze bij het bestuderen van de handleiding open.

In de tekst van deze handleiding wordt met »het apparaat« altijd de plunjerschiethamer DX 76 bedoeld.

Onderdelen en bedieningselementen **1**

Apparaat DX 76

- 1 Nagelmagazijn MX 76
- 2 Aandrukpen
- 3 Montageopening beschermkap
- 4 Repeteergreep
- 5 Patronenkoker
- 6 Kijkvenster laadcontrole
- 7 Krachtregelingswiel
- 8 Indicator voor krachtregeling
- 9 Kap (steunkussen)
- 10 Behuizing
- 11 Handgreepkussen
- 12 Pal
- 13 Hendel voor demontage plunjergeleiding
- 14 Schuifhuls
- 15 Magazijn
- 16 Beschermkap nagelmagazijn
- 17 Aanslag (element)
- 18 Ventilatiesleuven
- 19 Boutgeleider X-76-F-15
- 20 Beschermkap apparaat

Aan slijtage onderhevige onderdelen

- 21 Plunjer
- 22 Stopping

1 Veiligheidsinstructies

1.1 Essentiële veiligheidsnotities

Naast de technische veiligheidsinstructies in de afzonderlijke hoofdstukken van deze handleiding moeten de volgende bepalingen altijd strikt worden opgevolgd.

1.1.1 Gebruik van patronen

Gebruik alleen Hilti patronen of patronen van vergelijkbare kwaliteit

Bij gebruik van inferieure patronen in Hilti gereedschappen kunnen zich afzettingen van onverbrande poeder vormen, die plotseling kunnen exploderen en ernstig letsel voor de gebruiker en personen in zijn omgeving tot gevolg kunnen hebben. Patronen moeten voldoen aan een van de volgende minimumeisen:

- a) De betreffende fabrikant moet de succesvolle test volgens EU-norm EN 16264 kunnen bevestigen of
- b) De CE-markering van overeenstemming dragen (vanaf juli 2013 in de EU dwingend voorgeschreven)

AANWIJZING

Alle Hilti patronen voor plunjerschiethamers zijn succesvol getest volgens EN 16264. De in norm EN 16264 vastgelegde tests betreffen systeemtests van specifieke combinaties van patronen en gereedschappen, die worden uitgevoerd door certificeringsinstanties. De gereedschapsbenaming, de naam van de certificeringsinstantie en het systeemtestnummer zijn op de verpakking van de patroon gedrukt.

Zie ook verpakkingsvoorbeeld onder: www.hilti.com/dx-cartridges

1.1.2 Veiligheid van personen

- a) **Wees alert, let goed op wat u doet en ga met verstand te werk bij het gebruik van een apparaat voor directe montage. Gebruik het gereedschap niet wanneer u moe bent of onder invloed staat van drugs, alcohol of medicijnen.** Een moment van

nl

onoplettendheid bij het gebruik van het gereedschap kan tot ernstig letsel leiden.

- b) **Neem geen ongunstige lichaamshouding aan. Zorg ervoor dat u stevig staat en altijd in evenwicht bent.**
- c) **Richt het apparaat niet op uzelf of op een andere persoon.**
- d) **Druk het apparaat niet op uw hand of een ander lichaamsdeel (ook niet bij een andere persoon).**
- e) **Houd andere personen, met name kinderen, uit de buurt van het apparaat wanneer u ermee werkt.**
- f) **Houd bij de bediening van het apparaat de armen gebogen (niet gestrekt).**

1.1.3 Gebruik en onderhoud van apparaten voor directe montage

- a) **Gebruik het apparaat op de juiste manier. Gebruik het apparaat niet voor doeleinden waarvoor het niet bestemd is, maar alleen op de juiste wijze en in correcte toestand.**
- b) **Druk het apparaat in een rechte hoek op het werkvlak.**
- c) **Laat het apparaat nooit onbeheerd achter wanneer het geladen is.**
- d) **U dient het apparaat voor reinigings-, service- en onderhoudswerkzaamheden, bij een werkonderbreking en bij de opslag altijd te ontladen (patroon en bevestigingselement).**
- e) **Apparaten die niet worden gebruikt, dienen op een droge, hooggelegen of afgesloten plaats, buiten bereik van kinderen bewaard te worden.**
- f) **Controleer het apparaat en de toebehoren op eventuele beschadigingen. Voor verder gebruik dient zorgvuldig te worden nagegaan of de veiligheidsvoorzieningen of licht versleten delen correct en volgens de voorschriften functioneren. Controleer of de bewegende delen foutloos functioneren en niet klemmen en of er delen beschadigd zijn. Alle delen moeten correct gemonteerd zijn en aan alle voorwaarden voldoen om het optimaal functioneren van het apparaat te garanderen. Beschadigde veiligheidsinrichtingen en onderdelen dienen, tenzij anders in de handleiding is aangegeven, door de Hilti-service gerepareerd of vervangen te worden.**
- g) **Haal de pal alleen over wanneer het apparaat volledig loodrecht tegen de ondergrond is gedrukt.**
- h) **Houd het apparaat altijd stevig vast, in een rechte hoek tegen de ondergrond wanneer u een element indrijft. Hierdoor wordt voorkomen dat het bevestigingselement afbuigt van het ondergrondmateriaal.**
- i) **Drijf nooit een element een tweede keer in, dit kan leiden tot elementbreuken en -beklemmingen.**
- j) **Drijf nooit bevestigingselementen in bestaande gaten in, tenzij dit door Hilti wordt aanbevolen.**
- k) **Neem deze toepassingsrichtlijnen altijd in acht.**
- l) **Maak wanneer de toepassing dit toelaat gebruik van de beschermkappen.**
- m) **Trek het magazijn en de pengeleiding niet met de hand terug, het apparaat kan hierdoor onder bepaalde omstandigheden gebruiksklaar worden.**

Wanneer het apparaat gereed voor gebruik is, bestaat de mogelijkheid dat een element in een lichaamsdeel wordt gedreven.

1.1.4 Werkomgeving



- a) **Zorg voor een goede verlichting van het werkgebied.**
- b) **Gebruik het apparaat alleen in goed geventileerde werkruimten.**
- c) **Drijf geen bevestigingselement in ondergrondmateriaal dat hiervoor ongeschikt is. Materiaal dat te hard is, zoals gelast staal en gietstaal. Materiaal dat te zacht is, zoals hout en gipskarton. Materiaal dat te bros is, zoals glas en tegels. Het indrijven in deze materialen kan elementbreuken, afsplinteringen of doordrijvingen veroorzaken.**
- d) **Drijf geen nagels in glas, marmer, kunststof, brons, messing, koper, rotsgesteente, isolatiemateriaal, baksteen, tegels of plavuizen, dun plaatstaal (<3 mm), gietijzer of gasbeton.**
- e) **Vergewis u ervan, voordat u nagels aanbrengt, dat er zich niemand achter of onder de werkplek bevindt.**
- f) **Houd uw werkgebied in orde. Houd de werkomgeving vrij van voorwerpen waaraan u zich kunt verwonden. Ongeordendheid in uw werkgebied kan leiden tot ongevallen.**
- g) **Houd de handgrepen droog, schoon en vrij van olie en vet.**
- h) **Draag slipvast schoeisel.**
- i) **Houd rekening met omgevingsinvloeden. Stel het apparaat niet bloot aan neerslag en gebruik het niet in een omgeving die vochtig of nat is. Gebruik het apparaat niet op plaatsen waar het risico van explosie en brand bestaat.**

1.1.5 Mechanische veiligheidsmaatregelen



- a) **Kies de juiste combinatie van boutgeleider en bevestigingselementen. Wanneer niet de juiste combinatie wordt gebruikt, kan dat tot letsel leiden en kan het apparaat beschadigd en/of de bevestigingskwaliteit nadelig beïnvloed worden.**
- b) **Gebruik alleen bevestigingselementen die voor het apparaat bestemd en goedgekeurd zijn.**
- c) **Voer geen bevestigingselementen in het magazijn in wanneer dit niet juist op het apparaat gemonteerd is. De bevestigingselementen kunnen er uitgeslingerd worden.**
- d) **Gebruik geen versleten stopringen en voer geen aanpassingen aan de plunjer uit.**

1.1.6 Thermische veiligheidsmaatregelen



- a) Indien het apparaat oververhit is, dient u het af te laten koelen. Overschrijd de maximale indrijffrequentie niet.
- b) Draag beslist werkhandschoenen wanneer u onderhoudswerkzaamheden dient uit te voeren zonder dat het apparaat van tevoren is afgekoeld.
- c) Wanneer de kunststof patroonstrip begint te smelten, moet u het apparaat laten afkoelen.

1.1.7 Explosiegevaar



- a) Gebruik alleen patronen die voor het apparaat zijn goedgekeurd.

- b) Verwijder de patronenstrook voorzichtig uit het apparaat.
- c) Probeer geen patronen met geweld uit de magazijnstrip of uit het apparaat te verwijderen.
- d) Patronen die niet worden gebruikt, dienen op een droge, hoog gelegen of afgesloten plaats, buiten bereik van kinderen bewaard te worden.

1.1.8 Persoonlijke veiligheidsuitrusting



De gebruiker en personen die zich in de buurt bevinden, moeten tijdens het gebruik van het apparaat of het opheffen van fouten een geschikte veiligheidsbril, een veiligheidshelm en gehoorbescherming dragen.

2 Algemene opmerkingen

2.1 Signaalwoorden en hun betekenis

GEVAAR

Voor een direct dreigend gevaar dat tot ernstig letsel of tot de dood leidt.

WAARSCHUWING

Voor een eventueel gevaarlijke situatie die tot ernstig letsel of tot de dood kan leiden.

ATTENTIE

Voor een eventueel gevaarlijke situatie die tot licht letsel of tot materiële schade kan leiden.

AANWIJZING

Voor gebruikstips en andere nuttige informatie.

2.2 Verklaring van de pictogrammen en overige aanwijzingen

Waarschuwingstekens



Waarschuwing voor algemeen gevaar



Waarschuwing voor explosieve stoffen



Waarschuwing voor heet oppervlak

Gebodstekens



Veiligheidsbril dragen



Helm dragen



Gehoorbescherming dragen



Werkhandschoenen dragen



Vóór het gebruik de handleiding lezen

Plaats van de identificatiegegevens op het apparaat

Het type en het serienummer staan op het typeplaatje van uw apparaat. Neem deze gegevens over in uw handleiding en geef ze altijd door wanneer u onze vertegenwoordiging of ons servicestation om informatie vraagt.

Type: _____

Generatie: 01 _____

Serienr.: _____

3 Beschrijving

3.1 Gebruik volgens de voorschriften

Het apparaat is bestemd voor de professionele gebruiker in de bouw en aan de bouw gerelateerde beroepen en dient voor het indrijven van bevestigingselementen in staal.

Het apparaat mag alleen met de hand worden bediend.

Aanpassingen of veranderingen aan het apparaat zijn niet toegestaan.

Het apparaat mag niet in een explosieve of ontvlambare omgeving worden gebruikt, tenzij het daarvoor goedgekeurd is.

Gebruik, om het risico van letsel te voorkomen, alleen originele Hilti-bevestigingselementen, -patronen, -toebehoren en -reserveonderdelen of producten van gelijkwaardige kwaliteit.

Neem de specificaties in de handleiding betreffende het gebruik, de verzorging en het onderhoud in acht.

Het apparaat en de bijbehorende hulpmiddelen kunnen gevaar opleveren als ze door ongeschoolde personen onjuist of niet volgens de voorschriften worden gebruikt.

Het apparaat mag alleen door geïnstrueerd personeel bediend, onderhouden en gerepareerd worden. Dit personeel moet speciaal op de hoogte zijn gesteld van de mogelijke gevaren.

Zoals bij alle poederaangedreven plunjerschiethamers vormen het apparaat, het magazijn, de patronen en de bevestigingselementen een technische eenheid. Dit betekent, dat een probleemloos bevestigen met dit systeem alleen dan kan worden gewaarborgd, als de speciaal voor het apparaat gefabriceerde Hilti bevestigingselementen en patronen resp. producten van gelijkwaardige kwaliteit worden gebruikt. Alleen bij het in acht nemen van deze voorwaarden gelden de door Hilti aangegeven bevestigings- en toepassingsadviezen.

Het apparaat biedt een vijfvoudige bescherming. Voor de veiligheid van de gebruiker van het apparaat en diens werkomgeving.

3.2 Plunjerprincipe met plunjer stopring

De energie van de aandrijfvlading wordt op een plunjer overgebracht, waarvan de versnelde massa de nagel in de ondergrond drijft. Door toepassing van het plunjerprincipe kan het apparaat als een "Low Velocity Tool" worden geclassificeerd. Rond 95% van de kinetische energie bevindt zich in de plunjer. Omdat de plunjer in elk geval na afloop van het indrijven in het apparaat wordt gestopt, blijft er overtollige energie in het apparaat. Hierdoor is bij een juist gebruik gevaarlijk doorschieten met uittreedssnelheden van het element van meer dan 100 m/s praktisch onmogelijk.

3.3 Valbeveiliging

Door de koppeling van ontstekingsmechanisme en aandruktraject is er sprake van een valbeveiliging. Wanneer het apparaat op een harde ondergrond stoot, kan er dan ook geen ontsteking volgen, in welke hoek het zich ook bevindt.

3.4 Palbeveiliging

De palbeveiliging voorkomt dat het indrijven al wordt gestart als alleen de pal wordt overgehaald. Het indrijven kan alleen worden gestart als de machine eerst volledig tegen een vaste ondergrond wordt gedrukt.

3.5 Aandrukbeveiliging

De aandrukbeveiliging vereist een aandrukkracht van minstens 50 N, zodat het indrijven alleen met een volledig aangedrukt apparaat kan worden uitgevoerd.

3.6 Inschakelbeveiliging

Het apparaat beschikt bovendien over een inschakelbeveiliging. Dit betekent dat het niet wordt ingeschakeld wanneer de pal wordt overgehaald en het apparaat vervolgens wordt aangedrukt. Het kan alleen worden geactiveerd wanneer het eerst op de juiste wijze wordt aangedrukt en pas daarna de pal wordt bediend.

3.7 Apparaat DX 76, toepassingen en programma voor bevestigingselementen

Bevestiging van profielplaten op staal, staaldikte 6 mm tot massief staal

Programma	Orderomschrijving	Opmerking
Bevestigingselementen	X-ENP-19 L15 MX	10 nagels per magazijnstrip
Nagelmagazijn	MX 76	
Plunjerset	X-76-P-ENP	

Programma	Orderomschrijving	Opmerking
Bevestigingselementen	X-ENP-19 L15	Enkelvoudige nagel
Enkelvoudige boutgeleider	X-76-F-15	

Bevestiging van profielplaten op staal, staaldikte 3–6 mm

Programma	Orderomschrijving	Opmerking
Bevestigingselementen	ENP2K-20 L15 MX	10 nagels per magazijnstrip
Nagelmagazijn	MX 76	
Plunjer	X-76-P-ENP2K	

Programma	Orderomschrijving	Opmerking
Bevestigingselementen	ENP2K-20 L15	Enkelvoudige nagel
Enkelvoudige boutgeleider	X-76-F-15-P	

Bevestiging verbindingseuvels

Programma	Orderomschrijving	Opmerking
Bevestigingselementen	X-ENP-21 HVB	Elk 2 stuks per verbindingseuvel
Verbindingseuvel	X-HVB 50/ 80/ 95/ 110/ 125/ 140	
Boutgeleider	X-76-F-HVB	
Plunjer	X-76-P-HVB	

Bevestiging profielplaten op beton (DX-Kwik)

Programma	Orderomschrijving	Opmerking
Bevestigingselementen	NPH2-42 L15	
Boutgeleider	X-76-F-Kwik	
Plunjer	X-76-P-Kwik	
Aanslagboor	TX-C 5/23	Aanslagboor voor voorboren

Bevestigingselementen (diameter 10 mm) voor roosterbevestigingen

Programma	Orderomschrijving	Opmerking
Bevestigingselementen	EM8-15FP10, X-CRM8-15 FP10/ X-CR M8	Voor het installeren van X-FCM, X-FCM-F, X-FCM-R, X-FCP-F, X-FCP-R
Boutgeleider	X-76-F-10	
Plunjer	X-76-P-GR	
Stoter	Stoter	Voor het terugschuiven van de bevestigingselementen
Centreersysteem	Centreersysteem 25	Voor boutgeleider X-76-F-10
Centreersysteem	Centreersysteem 30	Voor boutgeleider X-76-F-10

Bevestigingselementen (diameter 10 mm) voor diverse bevestigingen op stalen ondergrond en beton

Programma	Orderomschrijving	Opmerking
Bevestigingselementen	DS 27-37, DSH 57 P10	Nagels ter bevestiging van houten latten op beton en staal, vanaf 62 mm moeten nagels voorgesteld worden
Bevestigingselementen	EDS 19-27 P10	Nagels voor bevestiging van houten latten op staal

nl

Programma	Orderomschrijving	Opmerking
Bevestigingselementen	EW10-30 P10, X-EW10-27 P10, X-EM10-24 P10	10 mm pennen op stalen ondergrond
Boutgeleider	X-76-F-10	
Plunjer	X-76-P-10	

nl 4 Toebehoren, verbruiksmateriaal

Omschrijving	Artikelnummer, beschrijving
Hilti koffer	DX 76 KD, groot, met afsluitbaar patronenvak
Koffer magazijnapparaat	DX 76 MX
Reinigingsset	DX 76 / 860-ENP, Platte borstel, ronde borstel Ø 25, ronde borstel Ø 8, stamper, reinigingsdoek
Hilti-spray	
Set plunjers en stopringen	X-76-PS
Beschermkap voor magazijn en enkelvoudige pengeleidingen	
Kaliber DX 76	

Patronen type	Orderomschrijving
Sterkste lading	6.8/18 M zwart
Extra sterke lading	6.8/18 M zwart
Zeer sterke lading	6.8/18 M rood
Sterke lading	6.8/18 M blauw
Zwakke lading	6.8/18 M groen

5 Technische gegevens

Technische wijzigingen voorbehouden!

AANWIJZING

* voor storingsvrij gebruik.

Apparaat	DX 76 MX
Gewicht met magazijn	4,35 kg
Afmetingen (L × B × H)	450 mm × 101 mm × 352 mm
Magazijn capaciteit	10 elementen
Aandruktraject	32 mm
Aandrukkracht	190...240 N
Gebruikstemperatuur / omgevingstemperatuur	-15... +50 °C
Maximale gemiddelde indrijffrequentie*	600/h

6 Inbedrijfneming



AANWIJZING

Voor het eerste gebruik de handleiding lezen.

6.1 Apparaat controleren

Verzeker u ervan dat zich geen patroonstrip in het apparaat bevindt. Wanneer zich een patroonstrip in het apparaat bevindt, transporteert u deze door meerdere

malen te repeteren met de repeteergreep, tot u hem aan de kant waar de patronen naar buiten komen kunt beetpakken. Verwijder de patroonstrip hierna door hem naar buiten te trekken.

Controleer alle externe delen van het apparaat op beschadigingen en ga na of alle bedieningselementen goed werken. Gebruik het apparaat niet als er onderdelen beschadigd zijn of de bedieningselementen niet optimaal functioneren. Laat het apparaat door de erkende Hilti-service repareren.

Ga na of de plunjer en de stopring op de juiste manier zijn ingebouwd en niet versleten zijn.

nl

7 Bediening



AANWIJZING

Bij het vasthouden met uw tweede hand moet u de hand zo plaatsen dat u geen ventilatiesleuven of openingen bedekt.

WAARSCHUWING

Tijdens het indrijven kan er materiaal worden afgesplinterd of materiaal van patroonstrips naar buiten worden geslingerd. **Daarom dient u (gebruikers en personen in de omgeving) een veiligheidsbril en een veiligheidshelm te dragen.** Afgesplinterd materiaal kan lichamelijk letsel en oogletsel veroorzaken.

ATTENTIE

Het indrijven van de bevestigingselementen wordt door de ontsteking van een voortstuwslading geactiveerd. **U (gebruiker en personen in de omgeving) dient gehoorbescherming te dragen.** Te hard geluid kan het gehoor beschadigen.

WAARSCHUWING

Als het apparaat tegen een lichaamsdeel (zoals een hand) wordt gedrukt, wordt de machine niet reglementair gebruiksklaar gemaakt. De gebruiksklare toestand maakt het echter wel mogelijk om nagels in lichaamsdelen te drijven (gevaar voor letsel door nagel of plunjer). **Druk het apparaat nooit tegen lichaamsdelen.**

ATTENTIE

Drijf nooit een element een tweede keer in, dit kan leiden tot elementbreuken en -beklemmingen.

ATTENTIE

Drijf nooit bevestigingselementen in bestaande gaten in, tenzij dit door Hilti wordt aanbevolen.

ATTENTIE

Indien het apparaat oververhit is, dient u het af te laten koelen. Overschrijd de maximale indrijffrequentie niet.

7.1 Gebruik

Voorschriften voor de bevestiging. Volg altijd deze gebruiksvoorschriften op.

AANWIJZING

Vraag voor gedetailleerde informatie de technische richtlijnen bij de regionale Hilti-vestiging of zonodig nationale technische voorschriften op.

7.2 Gedrag bij haperende ontsteking van patroon

Wanneer de ontsteking hapert of de patroon niet ontsteekt, gaat u als volgt te werk:

Houd het apparaat gedurende 30 seconden tegen het werkoppervlak gedrukt.

Wanneer de patroon nog steeds niet ontsteekt, neem het apparaat dan van het werkoppervlak en let erop dat het niet op u of een andere persoon gericht is.

Transporteer de patroonstrip door het apparaat verder te repeteren; maak de overige patronen van de patroonstrip op. Verwijder de opgebruikte patroonstrip en doe dit op een zodanige wijze dat hergebruik of oneigenlijk gebruik uitgesloten is.

7.2.1 Strip met bevestigingselementen in het magazijn inbrengen

Schuif de strip met bevestigingselementen van bovenaf in het magazijn tot de ring van het laatste element in het magazijn is ingeklikt.

7.2.2 Patroonkeuze **3**

1. Bepaal de materiaaldikte en de staalvastheid van de ondergrond.
2. Kies de geschikte patronen en de krachtinstelling overeenkomstig het aanbevolen patroon.

AANWIJZING Zie voor een gedetailleerd patroonadvies de betreffende goedkeuring of het Hilti handboek voor directe bevestiging

7.2.3 Patroonstrip inbrengen **4**

Schuif de patroonstrip helemaal in de patronenkoker aan de zijkant.

7.2.4 Bevestigen met het magazijnindrijfapparaat **5**

1. Druk het apparaat onder een rechte hoek op het werkvlak.
2. Activeer het indrijven door de pal over te halen.
3. Als inleiding op de volgende indrijving dient u de repeteergreep naar achteren en weer naar voren te schuiven.

7.2.5 Controle en instelling van de nagelpenetratie **6 7**

AANWIJZING

Regel de kracht van het apparaat door aan het krachtregelswiel te draaien. (Stand 1 = minimum; stand 4 = maximum)

1. Controleer met behulp van het kaliber de uitsteekhoogte van de nagel.
2. Wanneer een bevestigingselement niet diep genoeg is binnengedrongen, dient u de kracht te verhogen. Stel de kracht een stand hoger in met het krachtregelswiel. Wanneer een bevestigingselement te diep is binnengedrongen, dient u de kracht te verlagen. Stel de kracht een stand lager in met het krachtregelswiel.
3. Drijf een bevestigingselement in.
4. Controleer met behulp van het kaliber de uitsteekhoogte van de nagel.
5. Wanneer het bevestigingselement nog altijd niet diep genoeg resp. te diep is binnengedrongen, dient u stap 2 tot 4 te herhalen tot het diep genoeg is ingedreven. Gebruik eventueel een sterker of zwakker patroon.

7.3 Ontladen van het apparaat

7.3.1 Patronen uit het apparaat verwijderen **8**

WAARSCHUWING

Probeer geen patronen met geweld uit de patroonstrip of uit het apparaat te verwijderen.

1. Verschuif de patroonstrip door meerdere malen te repeteren met de repeteergreep tot hij zichtbaar wordt in de patronenuitlaatopening.
2. Trek de patroonstrip uit de patronenuitlaatopening.

7.3.2 Strip met bevestigingselementen uit het magazijnindrijfapparaat verwijderen **9**

WAARSCHUWING

Verzeker u ervan dat zich geen patroonstrip in het apparaat bevindt. Als zich een patroonstrip in het apparaat bevindt, dan de repeteergreep bedienen tot de patroon zichtbaar is, daarna trekt u deze met de hand uit de patronenuitgang.

ATTENTIE

De strip met bevestigingselementen wordt met behulp van veerkracht uitgestoten.

1. Druk de strip met bevestigingselementen 5 mm dieper in het magazijn en houd hem in deze positie vast.
2. Schuif de rode aanslag met uw duimen naar voren en houd hem in deze positie vast.
3. Verwijder de strip met bevestigingselementen uit het magazijn.

7.4 Nagelmagazijn of boutgeleider (toebehoren) verwisselen

7.4.1 Demontage **10**

WAARSCHUWING

Er mogen zich geen patronen in het apparaat bevinden. Er mogen zich geen bevestigingselementen bevinden in het nagelmagazijn of in de boutgeleider.

ATTENTIE

Na gebruik kunnen de onderdelen zeer heet zijn. **Draag beslist werkhandschoenen wanneer u de volgende onderhoudsstappen dient uit te voeren zonder dat het apparaat van tevoren is afgekoeld.**

1. Zorg ervoor dat de repeteergreep zich in de basisstand bevindt.
2. Schroef de boutgeleider (of het nagelmagazijn) eraf.
3. Verwijder de plunjer uit de plunjergeleiding en de stopring uit het nagelmagazijn.

7.4.2 Montage **11**

1. Plaats de stopring in de juiste positie in de te monteren boutgeleider (of het nagelmagazijn).
2. Zorg ervoor dat de repeteergreep zich in de basisstand bevindt.
3. Steek de passende plunjer in de plunjergeleiding van het apparaat.
4. Schroef de boutgeleider (of het nagelmagazijn) tot de aanslag op de plunjergeleiding en draai deze terug tot hij inklikt.
5. Repeteer eenmaal met de repeteergreep.

7.5 Bevestigen met enkelvoudige boutgeleider (toebehoren)

WAARSCHUWING

Zorg ervoor dat de beschermkap op het apparaat gemonteerd is.

7.5.1 Bevestigingselement in het enkelvoudige indrijfapparaat inbrengen 12

1. Draai het apparaat zo, dat de boutgeleider naar boven is gericht.
2. Breng het bevestigingselement van bovenaf in het apparaat in.

7.5.2 Patroonkeuze 3

1. Bepaal de materiaaldikte en de staalvastheid van de ondergrond.
2. Kies de geschikte patronen en de krachtinstelling overeenkomstig het aanbevolen patroon.

AANWIJZING Zie voor een gedetailleerd patroonadvies de betreffende goedkeuring of het Hilti handboek voor directe bevestiging

7.5.3 Patroonstrip inbrengen 4

Schuif de patroonstrip helemaal in de patronenkoker aan de zijkant.

7.5.4 Bevestigen met het enkelvoudige indrijfapparaat

1. Druk het apparaat onder een rechte hoek op het werkvlak.
2. Activeer het indrijven door de pal over te halen.
3. Als inleiding op de volgende indrijving dient u de repeteeergreep naar achteren en weer naar voren te schuiven.

7.5.5 Controle en instelling van de nagelpenetratie 6 7

AANWIJZING

Regel de kracht van het apparaat door aan het krachtregelingswiel te draaien. (Stand 1 = minimum; stand 4 = maximum)

Controleer de nagelpenetratie en de krachtinstelling overeenkomstig hoofdstuk 7.2.5 "Controle en instelling van de nagelpenetratie".

7.6 Bevestigen van verbindingsdeuvels (toebehoren) 13 14

WAARSCHUWING

Zorg ervoor dat de beschermkap op het apparaat gemonteerd is.

7.6.1 Element in HVB boutgeleider aanbrengen

AANWIJZING

Plaatsen van het eerste element in de verbindingsdeuvel

1. Monteer overeenkomstig hoofdstuk 7.4 "Nagelmagazijn of boutgeleider (toebehoren) verwisselen/monteren" de HVB boutgeleider.
2. Draai de schuiver tot deze vergrendelt en het getal 1 zichtbaar is.
3. Draai het apparaat zo, dat de boutgeleider naar boven is gericht.
4. Breng het element van bovenaf in de gemarkeerde opening van het apparaat aan.

7.6.2 Patroonstrip inbrengen 4

AANWIJZING

Voor de bevestiging van HVB verbindingsdeuvels worden zwarte en in sommige gevallen rode patronen aanbevolen. Zie voor een gedetailleerd patroonadvies de betreffende goedkeuring of het Hilti handboek voor directe bevestiging

Schuif de patroonstrip helemaal in de patronenkoker aan de zijkant.

7.6.3 Zetten met de HVB boutgeleider 14

1. Plaats de verbindingsdeuvel op de standplaat. Hij wordt door een magneet vastgehouden.
2. Druk het apparaat onder een rechte hoek op het werkvlak.
3. Activeer het indrijven door de pal over te halen.
4. Als inleiding op de volgende indrijving dient u de repeteeergreep naar achteren en weer naar voren te schuiven.

7.6.4 Controle en instelling van de nagelpenetratie 6 7

AANWIJZING

Regel de kracht van het apparaat door aan het krachtregelingswiel te draaien. (Stand 1 = minimum; stand 4 = maximum)

Controleer de nagelpenetratie en de krachtinstelling overeenkomstig hoofdstuk 7.2.5 "Controle en instelling van de nagelpenetratie".

7.6.5 Tweede element in HVB boutgeleider aanbrengen 15

AANWIJZING

Plaatsen van het tweede element in de verbindingsdeuvel

1. Draai de schuiver tot deze vergrendelt en het getal 2 zichtbaar is.
2. Draai het apparaat zo, dat de boutgeleider naar boven is gericht.
3. Breng het element van bovenaf in de gemarkeerde opening van het apparaat aan.

nl

7.6.6 Zetten van de HVB boutgeleider 14

1. Breng de standplaat in de beugel aan en druk het apparaat onder een rechte hoek op het werkvlak.
2. Activeer het indrijven door de pal over te halen.
3. Als inleiding op de volgende indrijving dient u de repeteergreep naar achteren en weer naar voren te schuiven.

7.7 Roosterbevestigingen (toebehoren)

WAARSCHUWING

Zorg ervoor dat de beschermkap op het apparaat gemonteerd is.

7.7.1 Element in roosterboutgeleider (F8) aanbrengen

1. Monteer overeenkomstig hoofdstuk 7.4 "Nagelmagazijn of boutgeleider (toebehoren) verwisselen/monteren" de roosterboutgeleider.
2. Draai het apparaat zo, dat de boutgeleider naar boven is gericht.
3. Breng het bevestigingselement van bovenaf in het apparaat in.

7.7.2 Patroonstrip inbrengen 4

Schuif de patroonstrip helemaal in de patronenkoker aan de zijkant.

7.7.3 Zetten met de roosterboutgeleider 16

1. Druk het apparaat onder een rechte hoek op het werkvlak.
2. Activeer het indrijven door de pal over te halen.
3. Controleer indien mogelijk de penetratiediepte door controle van de uitsteekhoogte van de pen.
4. Plaats, bij gebruik van een flens, de bevestigingsflens (koppel 5 tot 8 Nm).
5. Als inleiding op de volgende indrijving dient u de repeteergreep naar achteren en weer naar voren te schuiven.

7.7.4 Controle en instelling van de nagelpenetratie 6 7

AANWIJZING

Regel de kracht van het apparaat door aan het krachtregelingswiel te draaien. (Stand 1 = minimum; stand 4 = maximum)

Controleer de nagelpenetratie en de krachtinstelling overeenkomstig hoofdstuk 7.2.5 "Controle en instelling van de nagelpenetratie".

7.8 Bevestigen met de F10 boutgeleider

WAARSCHUWING

Zorg ervoor dat de beschermkap op het apparaat gemonteerd is.

Ga bij het bevestigen met de F10 boutgeleider op dezelfde wijze te werk als bij roosterbevestigingen (hoofdstuk 7.7.).

7.9 Bevestiging van profielplaten op beton (DX-Kwik toebehoren)

WAARSCHUWING

Zorg ervoor dat de beschermkap op het apparaat gemonteerd is.

7.9.1 Element DX Kwik boutgeleider aanbrengen

1. Monteer overeenkomstig hoofdstuk 7.4 "Nagelmagazijn of boutgeleider (toebehoren) verwisselen/monteren" de DX Kwik boutgeleider.
2. Draai het apparaat zo, dat de boutgeleider naar boven is gericht.
3. Breng het bevestigingselement van bovenaf in het apparaat in.

7.9.2 Patroonstrip inbrengen

AANWIJZING

Voor de bevestiging van profielplaten op beton worden blauwe patronen aanbevolen. Zie voor een gedetailleerd patroonadvies de betreffende goedkeuring of het Hilti handboek voor directe bevestiging.

Schuif de patroonstrip helemaal in de patronenkoker aan de zijkant.

7.9.3 Zetten met de DX Kwik boutgeleider 17

1. Boor de profielplaat en de betonnen ondergrond voor met de aanslagboor.
2. Breng de uit de boutgeleider stekende nagels aan in de voorgeboorde opening en druk het apparaat onder een rechte hoek aan.
3. Activeer het indrijven door de pal over te halen.
4. Als inleiding op de volgende indrijving dient u de repeteergreep naar achteren en weer naar voren te schuiven.

7.9.4 Controle en instelling van de nagelpenetratie 6 7

AANWIJZING

Regel de kracht van het apparaat door aan het krachtregelingswiel te draaien. (Stand 1 = minimum; stand 4 = maximum)

Controleer de nagelpenetratie en de krachtinstelling overeenkomstig hoofdstuk 7.2.5 "Controle en instelling van de nagelpenetratie".

8 Verzorging en onderhoud



ATTENTIE

Afhankelijk van het soort apparaat kan er bij regelmatig gebruik vervuiling en slijtage ontstaan waardoor het functioneren nadelig wordt beïnvloed. **Om het apparaat op een betrouwbare en veilige manier te kunnen gebruiken zijn daarom regelmatige inspecties en onderhoudsbeurten een absolute vereiste. Wij raden aan om bij intensief gebruik ten minste dagelijks en uiterlijk na 3000 indrijvingen het apparaat schoon te maken en de plunjer en stopring te controleren!**

WAARSCHUWING

Er mogen zich geen patronen in het apparaat bevinden. Er mogen zich geen bevestigingselementen bevinden in het nagelmagazijn of in de boutgeleider.

ATTENTIE

De machine kan door het gebruik heet worden. U kunt uw handen verbranden. **Draagt u bij onderhouds- en reparatiewerkzaamheden veiligheidshandschoenen. Laat het apparaat afkoelen.**

8.1 Verzorging van het apparaat

Reinig de buitenkant van het apparaat regelmatig met een licht bevochtigde poetsdoek.

AANWIJZING

Gebruik geen sproeiapparaat of stoomstraalapparaat voor het reinigen! Gebruik het apparaat nooit met verstopte ventilatiesleuven! Voorkom dat vuildeeltjes in het apparaat kunnen binnendringen.

8.2 Reparaties

Controleer alle uitwendige delen van het apparaat regelmatig op beschadigingen en ga na of alle bedieningselementen correct functioneren. Gebruik het apparaat niet wanneer er onderdelen beschadigd zijn of bedieningselementen niet correct functioneren. Laat het apparaat door de Hilti-service repareren.

Gebruik voor het apparaat de aanbevolen patronen en krachtinstelling. De keuze van een verkeerd patroon of een te hoge energie-instelling kan leiden tot vroegtijdige uitval van apparaatonderdelen.

ATTENTIE

Verontreiniging in DX apparaten bevat substanties die schadelijk kunnen zijn voor uw gezondheid **Adem geen stof / vuil in bij het reinigen. Zorg ervoor dat er geen stof / vuil in de buurt van voedingsmiddelen komt. Was uw handen na het reinigen van het apparaat. U mag nooit vet gebruiken voor het onderhoud / de smering van apparaatonderdelen. Dit kan leiden tot functiestoringen van het apparaat. Gebruik uitsluitend Hilti-spray of producten van een vergelijkbare kwaliteit.**

8.2.1 Plunjer controleren, plunjer/stopring vervangen

WAARSCHUWING

Er mogen zich geen patronen in het apparaat bevinden. Er mogen zich geen bevestigingselementen bevinden in het nagelmagazijn of in de boutgeleider.

ATTENTIE

Na gebruik kunnen de onderdelen zeer heet zijn. **Draag beslist werkhandschoenen wanneer u de volgende onderhoudsstappen dient uit te voeren zonder dat het apparaat van tevoren is afgekoeld.**

AANWIJZING

Door herhaaldelijke mis-indrijvingen ontstaat slijtage aan de plunjer en de stopring. Als de plunjer breuken vertoont en/of het elastomeer van de stopring sterk versleten is, dan is het einde van de levensduur van deze componenten bereikt.

AANWIJZING

De plunjer en stopring dienen regelmatig, ten minste dagelijks, te worden gecontroleerd.

AANWIJZING

Om de plunjer en de stopring te verwisselen hoeft alleen het nagelmagazijn of de boutgeleider te worden losgeschroefd. De plunjergeleiding hoeft niet gedemonteerd te worden.

1. Schroef de boutgeleider (of het nagelmagazijn) eraf.
2. Trek de plunjer uit de plunjergeleiding.
3. Controleer of de plunjer beschadigd is. Indien er tekenen van beschadiging te zien zijn, dient u de plunjer EN de stopring te vervangen.

AANWIJZING Controleer de plunjer op krommingen door hem over een glad oppervlak te rollen. Gebruik geen versleten plunjers en voer geen aanpassingen aan de plunjer uit.

4. Moet de plunjer worden vervangen, verwijder de stopring dan uit de boutgeleider.
5. Plaats de nieuwe stopring in de juiste positie in de te monteren boutgeleider (of het nagelmagazijn).

AANWIJZING Besproei de opening van de stopring met Hilti Spray.

6. Steek de plunjer in de plunjergeleiding van het apparaat.
7. Schroef de boutgeleider (of het nagelmagazijn) tot de aanslag op de plunjergeleiding en draai deze terug tot hij inklikt.
8. Repeteer eenmaal met de repeteergreep.

8.2.2 Plunjergeleiding reinigen 18 19 20 21

WAARSCHUWING

Er mogen zich geen patronen in het apparaat bevinden. Er mogen zich geen bevestigingselementen bevinden in het nagelmagazijn of in de boutgeleider.

nl

ATTENTIE

Na gebruik kunnen de onderdelen zeer heet zijn. **Draag beslist werkhandschoenen wanneer u de volgende onderhoudsstappen dient uit te voeren zonder dat het apparaat van tevoren is afgekoeld.**

1. Zorg ervoor dat de repetegreep zich in de basisstand bevindt.
2. Schroef het nagelmagazijn (of de boutgeleider) los.
3. Verwijder de plunjer uit de plunjergeleiding en de stopring uit het nagelmagazijn (of de boutgeleider).
4. **ATTENTIE Het apparaat altijd met de plunjergeleiding naar boven vasthouden, omdat de pengeleiding er anders kan uitvallen.**
Zwenk de hendel voor de demontage van de plunjergeleiding eruit.
5. Trek de plunjergeleiding uit het apparaat.
AANWIJZING De plunjergeleiding hoeft niet verder te worden gedemonteerd.
6. Reinig de opname van de plunjergeleiding in het apparaat.
7. Reinig met de grote borstel het oppervlak aan de binnen- en buitenzijde van de plunjergeleiding.
8. Reinig het gat voor de regelpen met de kleine ronde borstel en met de conische borstel het patronenmagazijn.
9. Spuit de schuiver en de kraag van de plunjergeleiding in met Hilti spray.

10. De stalen onderdelen van het apparaat inspuiten met Hilti Spray.
AANWIJZING Door het gebruik van andere smeermiddelen dan Hilti spray kunnen rubberen onderdelen worden beschadigd.
11. Zorg ervoor dat de repetegreep zich in de basisstand bevindt.
12. Schuif de plunjergeleiding in het apparaat.
13. Druk de plunjergeleiding licht aan.
AANWIJZING De hendel kan alleen worden gesloten wanneer de plunjergeleiding licht aangedrukt is (een paar mm). Als de hendel desondanks niet gesloten kan worden, zie dan hoofdstuk 9 Foutopsporing.
14. Draai de hendel naar binnen wanneer de plunjergeleiding licht aangedrukt is.
15. Steek de plunjer in de plunjergeleiding.
16. Monteer de stopring.
17. Schroef de boutgeleider (of het nagelmagazijn) tot de aanslag op de plunjergeleiding en draai deze terug tot hij inklikt.
18. Spuit achter de repetegreep in de open behuizingsspleet om het patronentransport te smeren.
19. Repeteer eenmaal met de repetegreep.

8.3 Controle na schoonmaak- en onderhoudswerkzaamheden



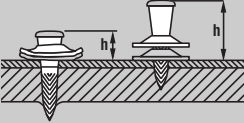
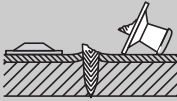
Na schoonmaak- en onderhoudswerkzaamheden en voor het inbrengen van de patroon moet worden gecontroleerd of alle veiligheidsvoorzieningen zijn aangebracht en foutloos functioneren.

9 Foutopsporing

WAARSCHUWING

Voordat er storingen worden verholpen, dient het apparaat te worden ontladen.

Fout	Mogelijke oorzaak	Oplossing
Patroon wordt niet getransporteerd.	Patroonstrip is beschadigd.	Patroonstrip wisselen. Zie hoofdstuk: 7.3.1 Patronen uit het apparaat verwijderen 8
	Apparaat is beschadigd.	Contact opnemen met Hilti
Patroonstrip kan niet worden verwijderd.	Apparaat is beschadigd of oververhit als gevolg van een hoge indrijffrequentie.	Apparaat laten afkoelen en opnieuw proberen de patroonstrip voorzichtig te verwijderen. Plunjergeleiding uit het apparaat verwijderen. Als een patroon klem zit in het magazijn, deze met de pen uit de reinigungsset verwijderen. Als dit niet mogelijk is, contact opnemen met Hilti. WAARSCHUWING Probeer geen patronen met geweld uit de magazijnstrip of uit het apparaat te verwijderen.
Patroon ontsteekt niet.	Apparaat is niet volledig aangedrukt	Apparaat opnieuw aandrukken en indrijving weer in werking stellen.
	Patroonstrip is leeg.	Patroonstrip ontladen en nieuwe laden.

Fout	Mogelijke oorzaak	Oplossing	
Patroon ontsteekt niet.	Magazijn of pengeleiding is niet voldoende vastgeschroefd.	Magazijn verder vastschroeven.	
	Eén patroon is slecht.	Repeteren en resterende patronen verwerken.	
	Apparaat is defect of patronen zijn slecht.	Contact opnemen met Hilti	
	Apparaat niet gerepeteerd	Apparaat repeteren Zie hoofdstuk: 8.2.2 Plunjergeleiding reinigen 18 19 20 21	
Nagel te diep gepenetreerd.		Naast de drager geplaatst.	Dragerpositie markeren en bevestiging op drager herhalen. Corrigeer de constructie zodat de plaat op één vlak met de ondergrond ligt.
		Er is een verkeerde plunjer ingezet.	Controleren of de juiste combinatie uitrusting plunjer / element wordt gebruikt.
	Plunjer is versleten.	Plunjer en stopring vervangen.	
Nagel te weinig gepenetreerd.		Op rib van de ligger geplaatst.	2. Indrijfpunt naplaatsen.
		Veranderde dikte en / of stabiliteit van de ondergrond.	Energie volgens de aanbeveling voor de patronen verhogen of een patroon met meer energie gebruiken.
		Te geringe energie.	Energie volgens de aanbeveling voor de patronen verhogen of een patroon met meer energie gebruiken.
		Apparaat is te sterk vervuild.	Apparaat reinigen.
		Plunjer is versleten.	Plunjer en stopring vervangen.
		Apparaat is beschadigd.	Contact opnemen met Hilti
		Er is een verkeerde plunjer ingezet.	Controleren of de juiste combinatie uitrusting plunjer / element wordt gebruikt.
Nagelpositie sterk wisselend.		Het apparaat is m.b.v. slagen aangedrukt	Het aandrukken m.b.v. slagen vermijden.
		Ongelijkmatig, deels onvolledig repeteren.	Volledig repeteren
		Ongelijkmatige kracht van het apparaat.	Apparaat reinigen. Nieuwe slijtageonderdelen aanbrengen. Wanneer er nog steeds schommelingen optreden contact opnemen met Hilti.
Schuifbreuk.		Plunjerpunt is versleten of ten dele uitgebroken.	Plunjer en stopring vervangen.
		Op rib van de ligger geplaatst.	2. Indrijfpunt ernaast plaatsen.
		Verhoogde dikte en / of stabiliteit van de ondergrond.	Aanbeveling voor elementen controleren. Wanneer de indeling juist is, de energie volgens de aanbeveling voor de patronen hoger afstellen of een patroon met meer energie gebruiken.
Apparaat loopt niet uit.	Plunjer klemt in stopring.	Plunjer en stopring vervangen.	

Fout	Mogelijke oorzaak	Oplossing
Apparaat loopt niet uit.	Apparaat is te sterk vervuild.	Plunjergeleiding reinigen. Plunjer op rechtheid controleren. Apparaat reinigen. Zie hoofdstuk: 8.2.2 Plunjergeleiding reinigen 18 19 20 21
	Patroonstrip klemt, apparaat is oververhit.	Zie fout „Patroonstrip kan niet worden verwijderd“. Maximale indrijffrequentie in acht nemen.
In werking stellen niet mogelijk.	Apparaat is niet juist gerepeteerd, de repeteergreep bevindt zich niet in de uitgangsstand.	Apparaat volledig repeteren, repeteergreep in de uitgangsstand zetten.
	In werking stellen alvorens het volledig aan te drukken.	Apparaat volledig aandrukken en pas dan in werking stellen.
	Transportstoringen van de bevestigingselementen	Zie hoofdstuk: 7.2.1 Strip met bevestigingselementen in het magazijn inbrengen 2 Zie hoofdstuk: 7.3.2 Strip met bevestigingselementen uit het magazijnindrijfapparaat verwijderen 9
	Magazijn of pengeleiding is niet volledig vastgeschroefd.	Magazijn en enkelvoudige pengeleiding volledig vastschroeven.
	Apparaat is beschadigd.	Contact opnemen met Hilti
	Apparaat is te sterk vervuild.	Plunjergeleiding reinigen. Plunjer op rechtheid controleren. Apparaat reinigen. Zie hoofdstuk: 8.2.2 Plunjergeleiding reinigen 18 19 20 21
	In werking stellen alvorens het volledig aan te drukken.	Apparaat volledig aandrukken en pas dan in werking stellen.
	Geen bevestigingselement ingedreven.	Apparaat is niet juist gerepeteerd, de repeteergreep bevindt zich niet in de uitgangsstand.
	Bevestigingselement is niet ingebracht.	Bevestigingselement in apparaat inbrengen.
	Nageltransport in het magazijn is defect.	Contact opnemen met Hilti
	Plunjer is niet ingezet.	Plunjer in apparaat inbrengen.
	Plunjer is gebroken.	Plunjer en stopring vervangen.
	Plunjer keert niet terug.	Contact opnemen met Hilti
	Pengeleiding is vervuild.	Reinigen van de plunjergeleiding van de aanbouwdelen met de daarvoor bestemde borstel. Behandelen met Hilti-spray.
	Bevestigingselementen in pengeleiding zijn klem gaan zitten.	Bevestigingselementen verwijderen. Kunststofresten van patroonstrip uit het magazijn van het apparaat verwijderen. Afschuifbreuken voorkomen (zie boven). Indrijvingen naast de draager voorkomen; eventueel beter markeren.
	Pengeleiding kan niet volledig worden opgeschroefd.	Stopring is verkeerd aangebracht.
Plunjergeleiding achter de aansluit-schroefdraad is vervuild.		Reinigen en schroefdraad inoliën.

Fout	Mogelijke oorzaak	Oplossing
Plunjer kan niet worden gemonteerd.	Apparaat, met name de plunjergeleiding, is vervuild. Vorststuk schuiver komt in plunjergeleiding en blokkeert de plunjer.	Plunjergeleiding reinigen en apparaat opnieuw monteren. Vorststuk schuiver naar voren trekken tot deze kan inklikken.
Plunjergeleiding kan niet worden gemonteerd.	Hendel is gesloten. Plunjergeleiding is verkeerd gepositioneerd.	Hendel openen. Plunjergeleiding correct invoeren.
Moeizaam repeteren.	Apparaat is vervuild.	Apparaat reinigen. Zie hoofdstuk: 8.2.2 Plunjergeleiding reinigen 18 19 20 21

nl

10 Afval voor hergebruik recycleren



Hilti-apparaten zijn voor een groot deel vervaardigd van materiaal dat kan worden gerecycled. Voor hergebruik is een juiste materiaalscheiding noodzakelijk. In veel landen is Hilti er al op ingesteld om uw oude apparaat voor recycling terug te nemen. Vraag hierover informatie bij de klantenservice van Hilti of bij uw verkoopadviseur. Als u het apparaat zelf voor recycling gereed wilt maken: Volg de regionale en internationale richtlijnen en voorschriften.

11 Fabrieksgarantie op de apparatuur

Hilti garandeert dat het geleverde apparaat geen materiaal- of fabricagefouten heeft. Deze garantie geldt onder de voorwaarde dat het apparaat in overeenstemming met de handleiding van Hilti gebruikt, bediend, verzorgd en schoongemaakt wordt, en dat de technische uniformiteit gehandhaafd is, d.w.z. dat er alleen origineel Hilti-verbruiksmateriaal en originele Hilti-toebehoren en -reserveonderdelen of andere kwalitatief gelijkwaardige producten voor het apparaat zijn gebruikt.

Deze garantie omvat de gratis reparatie of de gratis vervanging van de defecte onderdelen tijdens de gehele levensduur van het apparaat. Onderdelen die aan normale slijtage onderhevig zijn, vallen niet onder deze garantie.

Verdergaande aanspraak is uitgesloten voor zover er geen dwingende nationale voorschriften zijn die hiervan afwijken. Hilti is met name niet aansprakelijk voor directe of indirecte schade als gevolg van gebreken, verliezen of kosten in samenhang met het gebruik of de onmogelijkheid van het gebruik van het apparaat voor welk doel dan ook. Stilzwijgende garantie voor gebruik of geschiktheid voor een bepaald doel is nadrukkelijk uitgesloten.

Voor reparatie of vervanging moeten het toestel of de betreffende onderdelen onmiddellijk na vaststelling van het defect naar de verantwoordelijke Hilti-marktorganisatie worden gezonden.

Deze garantie omvat alle garantieverplichtingen van de kant van Hilti en vervangt alle vroegere of gelijktijdige, schriftelijke of mondelinge verklaringen betreffende garanties.

12 EG-conformiteitsverklaring (origineel)

Omschrijving:	Plunjerschiethamer
Type:	DX 76
Generatie:	01
Bouwjaar:	2004

Als de uitsluitend verantwoordelijken voor dit product verklaren wij dat het voldoet aan de volgende voorschriften en normen: 2006/42/EG, 2011/65/EU.

Hilti Corporation, Feldkircherstrasse 100,
FL-9494 Schaan



Norbert Wohlwend
Head of Quality & Processes Management
BU Direct Fastening
04/2013

Tassilo Deinzer
Head of BU Direct Fastening
BU Direct Fastening
04/2013

Technische documentatie bij:

Hilti Entwicklungsgesellschaft mbH
Zulassung Elektrowerkzeuge
Hiltistrasse 6
86916 Kaufering
Deutschland

13 CIP-keuringsbewijs

De Hilti DX 76 is systeemgetest en de bouwvorm ervan is erkend. Op basis hiervan is het apparaat voorzien van het vierkante merkteken van de PTB met het officiële registratienummer S 813. Hiermee garandeert Hilti dat het apparaat overeenkomt met de erkende bouwvorm.

Ontoelaatbare gebreken die tijdens het gebruik worden vastgesteld, dienen te worden gemeld aan de instantie die verantwoordelijk is voor de certificering (PTB) en aan het bureau van de Permanente Internationale Commissie (C.I.P.).

14 Gezondheid en veiligheid van de gebruiker

14.1 Geluidsinformatie

Patroonaangedreven plunjerschiethamer

Type	DX 76
Model	Standaard
Kaliber	6.8/18 blauw
Krachtinstelling	4
Toepassing	Bevestiging op 8 mm staal (400 MPa) met X-ENP 19 L15MX

Gedeclareerde meetwaarden van de geluidskentallen overeenkomstig machinerichtlijn 2006/42/EG in combinatie met E DIN EN 15895

Geluidsvermogensniveau, $L_{WA, 1s}^1$	114 dB (A)
Geluidsemissieniveau in werkgebied, $L_{pA, 1s}^2$	110 dB (A)
Piekgeluidsniveau, $L_{pC, peak}^3$	139 dB (C)
1 ± 2 dB (A)	
2 ± 2 dB (A)	
3 ± 2 dB (C)	

Gebruiks- en opstellingsvoorwaarden: Opstelling en gebruik van de plunjerschiethamer overeenkomstig E DIN EN 15895-1 in een reflectievrije testruimte van de firma Müller-BBM GmbH. De omgevingsvoorwaarden in de testruimte voldoen aan de eisen van DIN EN ISO 3745.

Testprocedure: Overeenkomstig E DIN EN 15895, DIN EN ISO 3745 en DIN EN ISO 11201 methode met afgedekte oppervlakken, vrijstaand op reflecterend grondvlak.

OPMERKING: De gemeten geluidsemissie en de bijbehorende meetonnauwkeurigheid vertegenwoordigen de bovengrens van de bij de metingen te verwachten geluidsstandaardgetallen.
Afwijkende werkomstandigheden kunnen leiden tot andere emissiewaarden.

14.2 Trilling

De overeenkomstig 2006/42/EC aan te geven totale trillingswaarde overschrijdt 2,5 m/s² niet.

Meer informatie m.b.t. de gezondheid van de gebruiker en de veiligheid zijn te vinden op de internetpagina's van Hilti: www.hilti.com/hse.

nl

DX 76 Bolt pistol

Læs brugsanvisningen grundigt igennem, inden maskinen tages i brug.

Opbevar altid brugsanvisningen sammen med maskinen.

Sørg for, at brugsanvisningen altid følger med ved overdragelse af maskinen til andre.

Indholdsfortegnelse	side
1 Sikkerhedsanvisninger	52
2 Generelle anvisninger	54
3 Beskrivelse	55
4 Tilbehør, forbrugsstoffer	57
5 Tekniske specifikationer	57
6 Ibrugtagning	57
7 Betjening	58
8 Rengøring og vedligeholdelse	61
9 Fejlsøgning	62
10 Bortskaffelse	65
11 Producentgaranti - Produkter	65
12 EF-overensstemmelseserklæring (original)	66
13 CIP-prøvebekræftelse	66
14 Brugerundhed og sikkerhed	66

1 Disse tal henviser til illustrationer. Illustrationerne kan du finde på udfoldssiderne på omslaget. Kig på disse sider, når du læser brugsanvisningen.

I denne brugsanvisning betegner «maskinen» altid bolt-pistolen DX 76.

Betjeningslementer og maskinens komponenter 1

Maskine DX 76

- 1 Sømmagasin MX 76
- 2 Anpresningsstift
- 3 Monteringsåbning beskyttelseskappe
- 4 Repetergreb
- 5 Patronmagasinskakt
- 6 Inspektionsrude, ladekontrol
- 7 Effektregeringshjul
- 8 Viser for effektregering
- 9 Kappe (støttepolstring)
- 10 Husskal
- 11 Grebspolstring
- 12 Aftrækker
- 13 Arm til afmontering af stempelføring
- 14 Skydemuffe
- 15 Magasinenhed
- 16 Beskyttelseskappe sømmagasin
- 17 Anslag (element)
- 18 Ventilationsåbninger
- 19 Boltføring X-76-F-15
- 20 Beskyttelseskappe maskine

Sliddele

- 21 Stempel
- 22 Stempelstopper

1 Sikkerhedsanvisninger

1.1 Grundlæggende sikkerhedsanvisninger

Ud over de sikkerhedstekniske forskrifter i de enkelte afsnit i denne brugsanvisning skal følgende retningslinjer altid overholdes.

1.1.1 Anvendelse af patroner

Anvend kun Hilti patroner eller patroner i sammenlignelig kvalitet

Hvis der anvendes patroner i dårlig kvalitet i Hilti værktøjer, kan der dannes aflejringer af uforbrændt pulver, som pludselig kan eksplodere og medføre alvorlige personskader på brugeren og personer i dennes omgivelser. Patroner skal opfylde ét af følgende minimumskrav:

a) Den pågældende producent skal kunne påvise, at der er udført en kontrol iht. den europæiske standard EN 16264 eller

b) Produktet skal være forsynet med CE-mærke (fra juli 2013 er dette obligatorisk i EU)

BEMÆRK

Alle Hilti patroner til bolt-pistoler er testet i henhold til EN 16264. I forbindelse med de kontroller, der er defineret i standarden EN 16264, er der tale om systemtest af specifikke kombinationer af patroner og værktøjer, som udføres af certificeringsorganer. Værktøjsbetegnelsen, navnet på certificeringsorganet og systemtestens nummer er påført patronens emballage.

Se også emballageeksemplet på følgende adresse: www.hilti.com/dx-cartridges

1.1.2 Personlig sikkerhed

- a) Det er vigtigt at være opmærksom, se, hvad man laver, og bruge en direkte monteringsmaskine fornuftigt. Man bør ikke bruge maskinen, hvis man er træt, har nydt alkohol eller er påvirket af medicin eller euforiserende stoffer. Få sekunders

uopmærksomhed ved brug af maskinen kan medføre alvorlige personskader.

- b) **Undgå ugunstig kroppsstilling. Sørg for at have et sikkert fodfæste, og hold balancen.**
- c) **Ret aldrig maskinen mod dig selv eller andre personer.**
- d) **Tryk aldrig maskinen mod hånden eller andre lemsdele (eller mod en anden person).**
- e) **Sørg for at holde uvedkommende personer og især børn på afstand, når der arbejdes.**
- f) **Hold altid maskinen i bøjede arme (ikke i strakt arm), når den benyttes.**

1.1.3 Omhyggelig omgang med og brug af maskiner til direkte montering

- a) **Brug altid den rigtige maskine. Brug ikke maskinen til formål, som det ikke er beregnet til, men kun i overensstemmelse med formålet og i fejlfri stand.**
- b) **Pres maskinen mod arbejdsfladen i en ret vinkel.**
- c) **Maskinen må aldrig være uden opsyn, når den er ladet.**
- d) **Tøm altid maskinen før rengøring, service og vedligeholdelse, ved arbejdsophør samt i forbindelse med opbevaring (patron og søm).**
- e) **Maskiner, der ikke er i brug, skal tømmes og opbevares på et tørt, højtbeliggende eller aflukket sted uden for børns rækkevidde.**
- f) **Kontrollér maskinen og tilbehøret for eventuelle beskadigelser. Før du fortsætter med at bruge værktøjet, skal du omhyggeligt kontrollere, at sikkerhedsudstyret og evt. let slidte dele fungerer fejlfrit og i overensstemmelse med formålet. Kontrollér, om de bevægelige dele fungerer korrekt og ikke sidder fast, og om der findes beskadigede dele. Alle dele skal være monteret korrekt og opfylde alle betingelser, så maskinens fejlfrie drift er sikret. Beskadiget sikkerhedsudstyr og beskadigede dele skal repareres eller udskiftes fagligt korrekt af Hilti service, hvis der ikke er angivet andet i brugsanvisningen.**
- g) **Tryk kun på aftrækkeren, når værktøjet trykkes helt lodret mod underlaget.**
- h) **Maskinen skal altid stå fast og retvinklet i forhold til underlaget, når der gennemføres en sætning. Derved forhindres det, at befæstelselementet styres bort fra underlaget.**
- i) **Forsøg aldrig på at sætte endnu et befæstelselement i, da det kan medføre brud på elementet eller fastklemning.**
- j) **Sæt ikke befæstelselementer i eksisterende huller, hvis ikke det anbefales af Hilti.**
- k) **Følg altid brugsanvisningen.**
- l) **Brug beskyttelseskapperne, hvis det er muligt.**
- m) **Træk ikke magasinet, boltføringen tilbage med hånden, da man under visse omstændigheder kan gøre maskinen klar til drift. Det betyder, at den også kan drive søm ind i legemsdele.**

1.1.4 Arbejdsplads



- a) **Sørg for god belysning på arbejdspladsen.**
- b) **Anvend kun værktøjet på arbejdsområder med god ventilation.**
- c) **Sæt ikke fastgørelseselementer i underlag, som er uegnet. Materiale, som er for hårdt, f.eks. svejset stål eller støbestål. Materiale, som er for blødt, f.eks. træ og gipsplader. Materiale, som er for skørt, f.eks. glas og fliser. Inddrivningen i disse materialer kan forårsage knækkede elementer, splinter eller gennemsætning.**
- d) **Skyd aldrig søm i glas, marmor, kunststof, bronze, messing, kobber, klippesten, isolationsmateriale, hultegl, keramiktegl, tynde plader (< 3 mm), støbejern eller gasbeton.**
- e) **Kontroller, at der ikke opholder sig andre under eller bag arbejdsstedet, inden der sættes befæstelselementer i.**
- f) **Hold arbejdsområdet ryddeligt. Sørg for at holde arbejdspladsen fri for genstande, som man kan komme til skade på. Uorden i arbejdsområdet kan medføre uheld.**
- g) **Sørg for, at håndtagene er tørre, rene og fri for olie og fedt.**
- h) **Brug skridsikre sko.**
- i) **Tag hensyn til påvirkning fra omgivelserne. Udsæt ikke maskinen for nedbør, brug ikke maskinen i fugtige eller våde omgivelser. Brug ikke maskinen, hvis der er risiko for brand eller eksplosion.**

da

1.1.5 Mekaniske sikkerhedsforanstaltninger



- a) **Udvælg de rigtige kombinationer af boltføring og fastgørelseselementer. Hvis den rigtige kombination ikke anvendes, kan det medføre personskader, maskinen kan blive beskadiget, og / eller kvaliteten af fastgørelsen kan blive forringet.**
- b) **Brug kun fastgørelseselementer, der er bestemt og godkendt til maskinen.**
- c) **Fyld ikke fastgørelseselementer i magasinet, hvis det ikke er monteret korrekt på maskinen. Fastgørelseselementerne kan blive slynget ud.**
- d) **Undlad at bruge en slidt stempelstopper, og foretag ingen ændringer på stemplet.**

1.1.6 Termiske sikkerhedsforanstaltninger



- a) Lad maskinen køle af, hvis den er blevet overop-
hedet. Overskrid ikke den normale inddrivnings-
frekvens.
- b) Du skal bruge beskyttelseshandsker, hvis du vil
udføre vedligeholdelse på maskinen uden først at
lade den køle af.
- c) Lad maskinen køle af, når plastpatronstrimlen
begynder at smelte.

1.1.7 Eksplosionsfarlig



- a) Brug kun patroner, der er godkendt til maskinen.

- b) Fjern forsigtigt patronstrimlen fra maskinen.
- c) Forsøg ikke at fjerne patroner fra magasinstrimlen
eller fra maskinen med magt.
- d) Ubrugte patroner skal opbevares på et tørt, højt-
beliggende eller aflukket sted uden for børns ræk-
kevidde.

1.1.8 Personligt beskyttelsesudstyr



Brugeren og personer, der opholder sig i den umid-
delbare nærhed, skal bære beskyttelsesbriller, hjelm
og høreværn under arbejde med og fejlafhjælpning
på værktøjet.

2 Generelle anvisninger

2.1 Signalord og deres betydning

FARE

Står ved en umiddelbart truende fare, der kan medføre
alvorlige kvæstelser eller døden.

ADVARSEL

Advarer om en potentielt farlig situation, der kan forårsage
alvorlige personskader eller døden.

FORSIGTIG

Advarer om en potentielt farlig situation, der kan forårsage
lettere personskader eller materielle skader.

BEMÆRK

Står ved anvisninger om brug og andre nyttige oplysning-
er.

2.2 Forklaring af piktogrammer og yderligere anvisninger

Advarselssymboler



Generel fare



Advarsel om
eksplosions-
farlige
stoffer



Advarsel om
varm
overflade

Påbudssymboler



Brug beskyt-
telsesbriller



Brug sikker-
hedshjelm



Brug
høreværn



Brug beskyttel-
seshandsker



Læs brugs-
anvisningen
før brug

Placering af identifikationsoplysninger på maskinen

Typebetegnelse og serienummer fremgår af maskinens
typeskilt. Notér disse oplysninger i brugsanvisningen, og
henvis til disse, når du henvender dig til vores kundeser-
vice eller værksted.

Type:

Generation: 01

Serienummer:

3 Beskrivelse

3.1 Bestemmelsesmæssig anvendelse

Maskinen er beregnet til professionelle brugere i byggebranchen og anvendes til inddrivning af befæstelselementer i stål.

Maskinen må kun betjenes med hænderne.

Det er ikke tilladt at modificere eller tilføje ekstra dele til maskinen.

Maskinen må ikke anvendes i en eksplosionsfarlig eller letantændelig atmosfære, medmindre den er godkendt til det. Anvend kun originale fastgørelselementer, patroner, tilbehør og reservedele fra Hilti eller produkter af tilsvarende kvalitet.

Overhold forskrifterne i denne brugsanvisning med hensyn til drift, pleje og vedligeholdelse.

Der kan opstå farlige situationer ved anvendelse af maskinen og det tilhørende udstyr, hvis det anvendes af personer, der ikke er blevet undervist i brugen af dem, eller hvis de ikke anvendes korrekt i henhold til forskrifterne i denne brugsanvisning.

Maskinen må kun betjenes, serviceres og repareres af trænet personale. Dette personale skal i særdeleshed informeres om de potentielle farer, der er forbundet med brugen af denne maskine.

Som ved alle pulverdrevne boltpistoler udgør maskinen, magasinet, patronerne og befæstelselementerne en teknisk enhed. Det betyder, at en problemfri befæstelse med dette system kun er garanteret ved anvendelse af de Hilti befæstelselementer og patroner, som er fremstillet specielt til maskinen, eller produkter af tilsvarende kvalitet. De anbefalinger, som Hilti giver vedrørende befæstelse og anvendelse, gælder kun når disse betingelser overholdes.

Maskinen giver 5-dobbelt beskyttelse. Af hensyn til brugerens og det nærmeste arbejdsmiljøes sikkerhed.

3.2 Stempelprincip med stempelbremse

Drivladningens energi overføres til et stempel, hvis inerti driver sømmet ind i underlaget. Da maskinen anvender stempelprincippet, er der tale om et "low velocity tool". Cirka 95% af den kinetiske energi befinder sig i stemplet. Da stemplet stoppes i maskinen ved slutningen af hver inddrivning, forbliver den overskydende energi i maskinen. Dermed er farlige skud med elementudgangshastigheder på mere end 100m/s praktisk talt umulige ved korrekt anvendelse.

3.3 Faldsikring

Faldsikringen opnås ved sammenkoblingen af tændmekanisme og anlægsvandring. Hvis maskinen rammer et hårdt underlag, kan der derfor ikke ske nogen tænding, uanset hvilken vinkel maskinen rammer i.

3.4 Aftrækkesikring

Aftrækkesikringen medfører, at der ikke kan drives et søm i alene ved at aktivere aftrækkeren. Inddrivningen kan kun udløses, når maskinen samtidigt presses hårdt helt ned mod et fast underlag.

3.5 Anpresningssikring

Med anpresningssikringen kræves der et anpresningstryk på mindst 50 N, så der kun kan inddrives, når maskinen er presset helt ind imod underlaget.

3.6 Udløsningsikring

Maskinen er desuden udstyret med en skydesikring. Dette betyder, at der ikke sker nogen skydning, hvis aftrækkeren holdes trykket ind, og maskinen derefter presses mod underlaget. Der kan altså kun skydes, hvis maskinen er lagt rigtigt an, og der først derefter trykkes på aftrækkeren.

3.7 Maskine DX 76, anvendelsesformål og befæstelselementprogram

Befæstelse af profilplader på stål, ståltykkelse 6 mm til massivt stål

Program	Bestillingsbetegnelse	Bemærkning
Befæstelselementer	X-ENP-19 L15 MX	10 søm pr. magasinstrimmel
Sømmagasin	MX 76	
Stempelsæt	X-76-P-ENP	

Program	Bestillingsbetegnelse	Bemærkning
Befæstelselementer	X-ENP-19 L15	Enkelt søm
Enkeltboltføring	X-76-F-15	

da

Befæstigelse af profilplader på stål, ståltykkelse 3-6 mm

Program	Bestillingsbetegnelse	Bemærkning
Befæstelseselementer	ENP2K-20 L15 MX	10 søm pr. magasinstrimmel
Sømmagasin	MX 76	
Stempel	X-76-P-ENP2K	

Program	Bestillingsbetegnelse	Bemærkning
Befæstelseselementer	ENP2K-20 L15	Enkelt søm
Enkeltboltføring	X-76-F-15-P	

da

Befæstigelse Forskydningsforbindelser

Program	Bestillingsbetegnelse	Bemærkning
Befæstelseselementer	X-ENP-21 HVB	2 stk. pr. forskydningsforbindelser
Forskydningsforbindelse	X-HVB 50/ 80/ 95/ 110/ 125/ 140	
Boltføring	X-76-F-HVB	
Stempel	X-76-P-HVB	

Befæstigelse af profilplader på beton (DX-Kwik)

Program	Bestillingsbetegnelse	Bemærkning
Befæstelseselementer	NPH2-42 L15	
Boltføring	X-76-F-Kwik	
Stempel	X-76-P-Kwik	
Brystbor	TX-C 5/23	Brystbor til forboring

Befæstigelse, elementer (diameter 10 mm) til befæstigelse af gitterriste

Program	Bestillingsbetegnelse	Bemærkning
Befæstelseselementer	EM8-15FP10, X-CRM8-15 FP10/ X-CR M8	Til montering af X-FCM, X-FCM-F, X-FCM-R, X-FCP-F, X-FCP-R
Boltføring	X-76-F-10	
Stempel	X-76-P-GR	
Indstødningsværktøj	Indstødningsværktøj	Til at skubbe befæstelseselementer tilbage
Centreringsanordning	Centreringsanordning 25	Til boltføring X-76-F-10
Centreringsanordning	Centreringsanordning 30	Til boltføring X-76-F-10

Befæstelseselementer (diameter 10 mm) til diverse befæstelsesopgaver på stålunderlag og beton

Program	Bestillingsbetegnelse	Bemærkning
Befæstelseselementer	DS 27-37, DSH 57 P10	Søm til befæstigelse af træælægter på beton og stål, fra 62 mm skal søm slås for
Befæstelseselementer	EDS 19-27 P10	Søm til befæstigelse til træælægter på stål
Befæstelseselementer	EW10-30 P10, X-EW10-27 P10, X-EM10-24 P10	10 mm bolte på stålunderlag
Boltføring	X-76-F-10	
Stempel	X-76-P-10	

4 Tilbehør, forbrugsstoffer

Betegnelse	Varenummer, beskrivelse
Hilti kuffert	DX 76 KD, stor, med aflukkeligt patronrum
Kuffert, magasinmaskine	DX 76 MX
Rensesæt	DX 76 / 860-ENP, fladbørste, rundbørste Ø 25, rundbørste Ø 8, stødstang, rengøringsklud
Hilti spray	
Sæt, stempeler og stempelstopper	X-76-PS
Beskyttelseskappe til magasin og enkeltboltføringer	
Kontrolværktøj DX 76	

Patrontype	Bestillingsbetegnelse
Største ladning (USA)	6.8/18 M sort (lilla)
Ekstra kraftig ladning	6.8/18 M sort
Meget stor ladning	6.8/18 M rød
Stor ladning	6.8/18 M blå
Svag ladning	6.8/18 M grøn

5 Tekniske specifikationer

Ret til tekniske ændringer forbeholdes!

BEMÆRK

* Til problemfri drift.

Maskine	DX 76 MX
Vægt med magasin	4,35 kg
Mål (L × B × H)	450 mm × 101 mm × 352 mm
Magasinkapacitet	10 elementer
Anpresningsvandring	32 mm
Anpresningstryk	190...240 N
Anvendelsestemperatur/omgivelsestemperatur	-15... +50 °C
Maksimal gennemsnitlig inddrivningsfrekvens*	600/h

6 Ibrugtagning



BEMÆRK

Læs brugsanvisningen før ibrugtagning.

6.1 Test maskinen

Kontrollér, at der ikke er en patronstrimmel i maskinen. Hvis der sidder en patronstrimmel i maskinen, skal du

transportere den fremad ved at repetere flere gange på repetitionsgrebet, indtil du kan få fat i den på patronudgangssiden. Fjern derefter patronstrimlen ved at trække den ud.

Kontrollér alle maskinens udvendige dele og dens betjenings-elementer for beskadigelser og fejlfri funktion. Brug aldrig maskinen, hvis der er dele, der er beskadiget, eller betjenings-elementerne ikke fungerer korrekt. Lad et autoriseret Hilti serviceværksted reparere maskinen.

Kontroller stempel og stempelstopper for korrekt montering og slid.

da

7 Betjening



da

BEMÆRK

Når der holdes fast med den anden hånd, skal den placeres således, at der ikke dækkes for ventilationslister eller åbninger.

ADVARSEL

Under inddrivningen kan materiale splintres eller magasintribemateriale slynges ud. **Benyt øjenværn og beskyttelseshjelm (bruger og personer i nærheden).** Splinterne fra materialet kan medføre skader på legemet og øjnene.

FORSIGTIG

Befæstelseselementerne inddrives ved at antænde en drivladning. **Brug høreværn (bruger og personer i nærheden).** Et for højt støjniveau kan skade hørelsen.

ADVARSEL

Hvis værktøjet trykkes ind mod en legemsdel (f.eks. hånden), kan inddrivningen aktiveres, og dette er ikke bestemmelsesmæssig anvendelse. Når maskinen er klar til drift, er der også risiko for at drive søm ind i legemsdele (fare for personskader forårsaget af søm eller stempel). **Tryk aldrig maskinen mod legemsdele.**

FORSIGTIG

Forsøg aldrig på at sætte endnu et befæstelseselement i, da det kan medføre brud på elementet eller fastklemning.

FORSIGTIG

Sæt ikke befæstelseselementer i eksisterende huller, hvis ikke det anbefales af Hilti.

FORSIGTIG

Lad maskinen køle af, hvis den er blevet overophedet. Overskrid ikke den normale inddrivningsfrekvens.

7.1 Drift

Instruktioner om fastgørelse. Følg altid disse anvisninger om brugen.

BEMÆRK

Hvis du vil have mere detaljerede informationer, kan du rekvirere de tekniske retningslinjer eller om nødvendigt de nationale bestemmelser hos din lokale Hilti forhandler.

7.2 Fremgangsmåde ved fejltænding af patronen

Gå altid frem på følgende måde, hvis en patron fejltænder eller slet ikke tænder:

Hold maskinen presset mod arbejdsfladen i 30 sekunder. Hvis patronen stadig ikke tænder, skal du tage maskinen væk fra arbejdsfladen og passe på, at maskinen ikke er rettet imod dig selv eller nogen anden person.

Transportér patronstrimlen en patron frem ved repetition; brug de resterende patroner i patronstrimlen; fjern den opbrugte patronstrimmel, og bortskaf den, så den ikke kan misbruges eller genbruges.

7.2.1 Indsættelse af befæstelseselementstrimler i magasinet 2

Skub befæstelseselementstrimlen ind i magasinet oppefra, indtil rondellen for det sidste element går i indgreb i magasinet.

7.2.2 Valg af patroner 3

1. Bestem stålstyrken og materialets tykkelse.
2. Vælg en egnet patron og effektindstilling i henhold til anbefalingen på patronen.

BEMÆRK En detaljeret anbefaling af patron fremgår af de relevante godkendelser eller af håndbogen fra Hilti om direkte befæstigelse

7.2.3 Isætning af patronstrimmel 4

Skub patronstrimlen helt ind i patronmagasinåbningen i siden.

7.2.4 Inddrivning med magasininddrivningsmaskine 5

1. Pres maskinen mod arbejdsfladen i en ret vinkel.
2. Foretag inddrivning ved at trykke på aftrækkeren.
3. For at begynde den næste inddrivning skal du skubbe repetitionsgrebet bagud og derefter igen fremad.

7.2.5 Kontrol og indstilling af sømfremspring 6 7

BEMÆRK

Reguler maskinens effekt ved at dreje på effektreguleringshjulet. (trin 1 = minimum; trin 4 = maksimum)

1. Kontrollér med kontrolværktøjet, om nogen søm rager op.
2. Hvis et befæstelseselement ikke går dybt nok ind i emnet, skal du øge effekten. Indstil effekten et trin højere på effektreguleringshjulet. Hvis et befæstelseselement går for dybt ind i emnet, skal du reducere effekten. Indstil effekten et trin lavere på effektreguleringshjulet.
3. Inddriv et befæstelseselement.
4. Kontrollér med kontrolværktøjet, om nogen søm rager op.
5. Hvis befæstelseselementet stadig ikke trænger dybt nok ind, eller hvis det trænger for dybt ind, skal du gentage trin 2 til 4, indtil elementet drives ind i den rigtige dybde. Brug om nødvendigt en stærkere eller svagere patron afhængigt af forholdene.

7.3 Tømning af maskinen

7.3.1 Udtagning af patronerne fra maskinen **8**

ADVARSEL

Forsøg ikke at fjerne patroner fra patronstrimlen eller fra maskinen med magt.

1. Forskyd patronstrimlen ved flere gange at trække i repetitionsgrebet, indtil strimlen bliver synlig i patronudgangsåbningen.
2. Træk patronstrimlen ud af patronudgangsåbningen.

7.3.2 Udtagning af befæstelseselementstrimler fra magasindrivningsmaskinen **9**

ADVARSEL

Kontrollér, at der ikke er en patronstrimmel i maskinen. Hvis der befinder sig en patronstrimmel i maskinen, skal du trykke på repetitionsgrebet på maskinen, indtil patronen bliver synlig. Tag derefter fat om patronen, og træk den ud af åbningen.

FORSIGTIG

Elementstrimlen stødes ud på grund af fjederkraften.

1. Tryk befæstelseselementstrimlen 5 mm længere ind i magasinet, og hold den fast i denne position.
2. Tryk det røde anslag fremad med tommelfingeren, og hold det fast i denne position.
3. Tag befæstelseselementstrimlen ud af magasinet.

7.4 Udskiftning af sømmagasin eller boltføring (tilbehør)

7.4.1 Afmontering **10**

ADVARSEL

Der må ikke være patroner i maskinen. Der må ikke befinde sig fastgørelselementer i sømmagasinet eller i boltføringen.

FORSIGTIG

Efter brug kan de komponenter, du skal arbejde med, være meget varme. **Du skal bruge beskyttelseshandsker, hvis du vil udføre vedligeholdelse på maskinen uden først at lade maskinen køle ordentligt af.**

1. Kontrollér, at repetitionsgrebet står i grundstilling.
2. Skru boltføringen (eller sømmagasinet) af.
3. Fjern stemplet fra stempelføringen og stempelstopperne fra sømmagasinet.

7.4.2 Montering **11**

1. Indsæt stempelstopperne korrekt i den boltføring, der skal monteres (eller sømmagasinet).
2. Kontrollér, at repetitionsgrebet står i grundstilling.
3. Sæt det korrekte stempel i maskinens stempelføring.
4. Skru boltføringen (eller sømmagasinet) på stempelføringen til anslag, og drej den tilbage, til den går i indgreb.
5. Træk én gang i repetitionsgrebet.

7.5 Inddrivning med enkeltboltføring (tilbehør)

ADVARSEL

Kontrollér, at beskyttelseskappen er monteret på maskinen.

7.5.1 Indsættelse af befæstelseselement i enkeltinddrivningsmaskinen **12**

1. Drej maskinen, så boltføringen vender opad.
2. Før befæstelseselementet ind i maskinen fra oven.

7.5.2 Valg af patroner **13**

1. Bestem stålstyrken og materialets tykkelse.
2. Vælg en egnet patron og effektindstilling i henhold til anbefalingen på patronen.

BEMÆRK En detaljeret anbefaling af patron fremgår af de relevante godkendelser eller af håndbogen fra Hiiti om direkte befæstigelse

7.5.3 Isætning af patronstrimmel **4**

Skub patronstrimlen helt ind i patronmagasinåbningen i siden.

7.5.4 Inddrivning med enkeltinddrivningsmaskinen

1. Pres maskinen mod arbejdsfladen i en ret vinkel.
2. Foretag inddrivning ved at trykke på aftrækkeren.
3. Før at begynde den næste inddrivning skal du skubbe repetitionsgrebet bagud og derefter igen fremad.

7.5.5 Kontrol og indstilling af sømfremspring **6 7**

BEMÆRK

Reguler maskinens effekt ved at dreje på effektreguleringshjulet. (trin 1 = minimum; trin 4 = maksimum)

Kontrollér sømfremspringet og effektindstillingen i henhold til afsnit 7.2.5 "Kontrol og indstilling af sømfremspring".

7.6 Befæstigelse af forskydningsforbindelser (tilbehør) **18 14**

ADVARSEL

Kontrollér, at beskyttelseskappen er monteret på maskinen.

7.6.1 Inddrivning af elementet i HVB-boltføring

BEMÆRK

Inddrivning af det første element i forskydningsforbindelsen

1. Monter HVB-boltføringen i henhold til afsnit 7.4 "Udskiftning af sømmagasin eller boltføring (tilbehør) / Montering".
2. Slå skyderen ned, indtil den går i indgreb, og tallet 1 bliver synligt.
3. Drej maskinen, så boltføringen vender opad.

da

4. Før elementet ned i den markerede åbning i maskinen fra oven.

7.6.2 Isætning af patronstrimmel 4

BEMÆRK

Til befæstigelse af HVB-forskydningsforbindelser anbefales det at anvende sorte eller i visse tilfælde også røde patroner. En detaljeret anbefaling af patron fremgår af de relevante godkendelser eller af håndbogen fra Hilti om direkte befæstigelse

Skub patronstrimlen helt ind i patronmagasinåbningen i

siden.

7.6.3 Inddrivning med HVB-boltføringen 14

1. Sæt forskydningsforbindelsen på standpladen. Den holdes fast af en magnet.
2. Pres maskinen mod arbejdsfladen i en ret vinkel.
3. Foretag inddrivning ved at trykke på aftrækkeren.
4. For at begynde den næste inddrivning skal du skubbe repetitionsgrebet bagud og derefter igen fremad.

7.6.4 Kontrol og indstilling af sømfremspring 6 7

BEMÆRK

Reguler maskinens effekt ved at dreje på effektreguleringshjulet. (trin 1 = minimum; trin 4 = maksimum)

Kontrollér sømfremspringet og effektindstillingen i henhold til afsnit 7.2.5 "Kontrol og indstilling af sømfremspring".

7.6.5 Inddrivning af det andet element i HVB-boltføring 15

BEMÆRK

Inddrivning af det andet element i forskydningsforbindelser

1. Slå skyderen ned, indtil den går i indgreb, og tallet 2 bliver synligt.
2. Drej maskinen, så boltføringen vender opad.
3. Før elementet ned i den markerede åbning i maskinen fra oven.

7.6.6 Inddrivning af HVB-boltføringen 14

1. Før standpladen ind i bøjlen, og tryk maskinen mod arbejdsfladen i en ret vinkel.
2. Foretag inddrivning ved at trykke på aftrækkeren.
3. For at begynde den næste inddrivning skal du skubbe repetitionsgrebet bagud og derefter igen fremad.

7.7 Befæstigelse af gitterriste (tilbehør)

ADVARSEL

Kontrollér, at beskyttelseskappen er monteret på maskinen.

7.7.1 Inddrivning af elementet i gitterristboltføring (F8)

1. Monter gitterristboltføringen i henhold til afsnit 7.4 "Udskiftning af sømmagasin eller boltføring (tilbehør) / Montering".
2. Drej maskinen, så boltføringen vender opad.
3. Før fastgørelseselementet ind i maskinen fra oven.

7.7.2 Isætning af patronstrimmel 4

Skub patronstrimlen helt ind i patronmagasinåbningen i siden.

7.7.3 Inddrivning med gitterristboltføringen 16

1. Pres maskinen mod arbejdsfladen i en ret vinkel.
2. Foretag inddrivning ved at trykke på aftrækkeren.
3. Kontrollér om muligt indtrængningsdybden ved at kontrollere boltfremspringet.
4. Ved anvendelse af en flange skal holdeflangen skrues på (tilspændingsmoment 5 til 8 Nm).
5. For at begynde den næste inddrivning skal du skubbe repetitionsgrebet bagud og derefter igen fremad.

7.7.4 Kontrol og indstilling af sømfremspring 6 7

BEMÆRK

Reguler maskinens effekt ved at dreje på effektreguleringshjulet. (trin 1 = minimum; trin 4 = maksimum)

Kontrollér sømfremspringet og effektindstillingen i henhold til afsnit 7.2.5 "Kontrol og indstilling af sømfremspring".

7.8 Fastgørelse med F10-boltføringen

ADVARSEL

Kontrollér, at beskyttelseskappen er monteret på maskinen.

Fastgørelse med F10-boltføring sker på samme måde som fastgørelse med gitterriste (kapitel 7.7.).

7.9 Fastgørelse af profilplader på beton (DX Kwik, tilbehør)

ADVARSEL

Kontrollér, at beskyttelseskappen er monteret på maskinen.

7.9.1 Inddrivning af elementet DX Kwik-boltføring

1. Monter DX Kwik-boltføringen i henhold til afsnit 7.4 "Udskiftning af sømmagasin eller boltføring (tilbehør) / Montering".
2. Drej maskinen, så boltføringen vender opad.
3. Før befæstelseselementet ind i maskinen fra oven.

7.9.2 Isætning af patronstrimmel

BEMÆRK

Til fastgørelse af profilplader på beton anbefales det at anvende blå patroner. En detaljeret anbefaling af patron fremgår af de relevante godkendelser eller af håndbogen fra Hilti om direkte fastgørelse.

Skub patronstrimlen helt ind i patronmagasinåbningen i siden.

7.9.3 Inddrivning med DX Kwik-boltføringen 17

1. Bor for i profilpladen og betonunderlaget med brystboret.

2. Før det søm, der rager op fra boltføringen, ind i det forberede hul, og tryk maskinen imod i en ret vinkel.
3. Foretag inddrivning ved at trykke på aftrækkeren.
4. Før at begynde den næste inddrivning skal du skubbe repetitionsgrebet bagud og derefter igen fremad.

7.9.4 Kontrol og indstilling af sømfremspring 6 7

BEMÆRK

Reguler maskinens effekt ved at dreje på effektreguleringshjulet. (trin 1 = minimum; trin 4 = maksimum)

Kontrollér sømfremspringet og effektindstillingen i henhold til afsnit 7.2.5 "Kontrol og indstilling af sømfremspring".

da

8 Rengøring og vedligeholdelse



FORSIGTIG

Afhængigt af maskintypen tilsmudses og slides funktionsrelevante komponenter under den regulære drift. **For at kunne sikre en pålidelig og sikker drift af maskinen er det en forudsætning, at der foretages regelmæssige eftersyn og regelmæssig vedligeholdelse. Vi anbefaler en rengøring af maskinen og kontrol af stempel og stempelstopper mindst dagligt ved intensiv brug, dog senest efter 3.000 inddrivninger!**

ADVARSEL

Der må ikke være patroner i maskinen. Der må ikke finde sig fastgørelseselementer i sømmagasinet eller i boltføringen.

FORSIGTIG

Maskinen kan blive varm, når den er i brug. Du kan få forbrændinger på hænderne. **Brug beskyttelseshandsker ved pleje- og vedligeholdelsesarbejder. Lad maskinen køle af.**

8.1 Rengøring af maskinen

Rengør jævnligt maskinen udvendigt med en let fugtig klud.

BEMÆRK

Anvend ikke spray eller dampstråler til rengøring! Anvend aldrig maskinen, hvis ventilationsåbningerne er tilstoppede! Sørg for, at der ikke trænger fremmedlegemer ind i maskinen.

8.2 Vedligeholdelse

Kontrollér regelmæssigt alle udvendige dele på maskinen for beskadigelse og fejlfri funktion. Brug ikke maskinen, hvis der er beskadigede dele, eller hvis der er betjenings-elementer, som ikke fungerer fejlfrit. Lad et Hilti serviceværksted reparere maskinen.

Brug kun maskinen med de anbefalede patroner og den anbefalede effektindstilling. Valg af forkert patron eller en for høj effektindstilling kan medføre, at komponenternes levetid forringes.

FORSIGTIG

Snavs i DX-maskiner indeholder substanser, som kan være sundhedsskadelige. **Undgå at indånde støv/snavs fra rengøringen. Hold støv/snavs væk fra fødevarer. Vask hænderne efter rengøringen af maskinen. Brug aldrig fedt til vedligeholdelse/smøring af maskinens komponenter. Det kan medføre funktionssvigt for maskinen. Brug kun Hilti Spray eller produkter af en sammenlignelig kvalitet.**

8.2.1 Kontrol af stempel, udskiftning af stempel/stempelstopper

ADVARSEL

Der må ikke være patroner i maskinen. Der må ikke finde sig fastgørelseselementer i sømmagasinet eller i boltføringen.

FORSIGTIG

Efter brug kan de komponenter, du skal arbejde med, være meget varme. **Du skal bruge beskyttelseshandsker, hvis du vil udføre vedligeholdelse på maskinen uden først at lade maskinen køle ordentligt af.**

BEMÆRK

Som følge af flere forkerte inddrivninger kan der opstå slitage på stempler og stempelstopper. Hvis stemplet viser tegn på brud, og/eller elastomererne i stempelstopperen er meget slidt, er komponenterne udtjent.

BEMÆRK

Stemplet og stempelstopperen skal kontrolleres med regelmæssige mellemrum, dog mindst dagligt.

BEMÆRK

For at udskifte stempel og stempelstopper er det kun nødvendigt at skrue sømmagasinet eller boltføringen af. Stempelføringen skal ikke afmonteres

1. Skru boltføringen (eller sømmagasinet) af.
2. Træk stemplet ud af stempelføringen.
3. Kontrollér stemplet for beskadigelser. Hvis der er tegn på, at stemplet er beskadiget, skal du tage stempel OG stempelstopper ud.
BEMÆRK Kontrollér stemplet for skævhed ved at rulle det på en plan overflade. Undlad at bruge slidte stempler, og foretag ingen ændringer på stemplet.
4. Hvis stemplet skal udskiftes, skal du fjerne stempelstopperen fra boltføringen.
5. Indsæt den nye stempelstopper korrekt i den boltføring, der skal monteres (eller sømmagasinet).
BEMÆRK Sprøjt Hilti-spray på stempelstopperens åbning.
6. Sæt stemplet i maskinens stempelføring.
7. Skru boltføringen (eller sømmagasinet) på stempelføringen til anslag, og drej den tilbage, til den går i indgreb.
8. Træk én gang i repetitionsgrebet.

8.2.2 Rengøring af stempelføring 18 19 20 21

ADVARSEL

Der må ikke være patroner i maskinen. Der må ikke finde sig fastgørelseselementer i sømmagasinet eller i boltføringen.

FORSIGTIG

Efter brug kan de komponenter, du skal arbejde med, være meget varme. **Du skal bruge beskyttelseshandsker, hvis du vil udføre vedligeholdelse på maskinen uden først at lade maskinen køle ordentligt af.**

1. Kontrollér, at repetitionsgrebet står i grundstilling.
2. Skru sømmagasinet (eller boltføringen) af.
3. Tag stemplet ud af stempelføringen og stempelstopperen ud af sømmagasinet (eller boltføringen).

4. **FORSIGTIG Hold altid maskinen med stempelføringen opad, da stempelføringen ellers kan falde ud.**
Drej grebet for at afmontere stempelføringen.
5. Træk stempelføringen ud af maskinen.
BEMÆRK Stempelføringen skal ikke adskilles yderligere.
6. Rengør holderen til stempelføringen i maskinen.
7. Rengør stempelføringens overflade udvendigt og indvendigt med den store børste.
8. Rengør boringen omkring reguleringsstiften med den lille rundbørste, og rengør patronholderen med den koniske børste.
9. Påfør Hilti spray på skyderen og stempelføringens bryst.
10. Spray maskinens ståledele med Hilti spray.
BEMÆRK Hvis du bruger andre smøremidler end Hilti spray, kan det beskadige maskinens gummid dele.
11. Kontrollér, at repetitionsgrebet står i grundstilling.
12. Skyd stempelføringen ind i maskinen.
13. Tryk let på stempelføringen.
BEMÆRK Armen kan kun lukkes, hvis stempelføringen er trykket lidt (et par mm) ind. Se kapitel 9, Fejlsøgning, hvis det på trods heraf alligevel ikke er muligt at lukke armen.
14. Sving armen ind, mens der trykkes let på stempelføringen.
15. Sæt stemplet ind i stempelføringen.
16. Monter stempelstopperen.
17. Skru boltføringen (eller sømmagasinet) på stempelføringen til anslag, og drej den tilbage, til den går i indgreb.
18. Sprøjt Hilti spray ind i åbningen på huset for at smøre patrontransporten.
19. Træk én gang i repetitionsgrebet.

8.3 Kontrol efter rengøring og vedligeholdelse

Efter pleje- og vedligeholdelsesarbejder og før ilægning af patronen, skal du kontrollere, om alle beskyttelsesanordningerne er monteret, og om de fungerer korrekt.

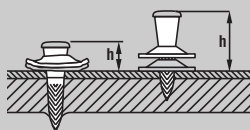
9 Fejlsøgning

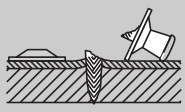
ADVARSEL

Maskinen skal tømmes inden fejlfhjælpningen.

Fejl	Mulig årsag	Afhjælpning
Patronen transporteres ikke.	Patronstrimlen er beskadiget.	Udskift patronstrimlen. Se kapitel: 7.3.1 Udtagning af patronerne fra maskinen 8
	Maskinen er beskadiget.	Kontakt Hilti.

Fejl	Mulig årsag	Afhjælpning
Det er ikke muligt at fjerne patronstrimlen.	Maskinen er beskadiget eller overophedet pga. for høj inddrivningsfrekvens.	Vent, til maskinen er kølet af, og forsøg så igen forsigtigt at fjerne patronstrimlen. Afmonter stempelføring fra maskinen. Hvis patronhylsteret er klemt fast i patronholderen, skal det fjernes ved hjælp af rundstokken i rengøringssettet. Hvis det stadig ikke kan fjernes, skal du kontakte Hilti. ADVARSEL Forsøg ikke at fjerne patroner fra magasinstrimlen eller fra maskinen med magt.
Patronen tænder ikke.	Maskinen er ikke trykket helt imod underlaget.	Sæt maskinen imod igen, og udløs endnu en inddrivning.
	Patronstrimlen er tom.	Tag patronstrimlen ud, og sæt en ny i.
	Magasinet eller boltføringen er ikke skruet tilstrækkeligt fast.	Skrue magasinet helt fast.
	Nogle af patronerne er defekte.	Repetér, og brug de resterende patroner.
	Maskinen eller patronerne er defekte.	Kontakt Hilti.
Maskine ikke repeteret	Repetér maskine Se kapitel: 8.2.2 Rengøring af stempelføring 18 19 20 21	
Sømmet står for dybt.	Inddrevet ved siden af bæreeemnet.	Markér bæreeemnets position, og gentag inddrivningen på bæreeemnet. Korrigér konstruktionen, så pladen flugter med underlaget.
	Forkert stempel isat.	Kontrollér, at det er den rigtige kombination udstyr stempel/element.
	Stempet er slidt.	Udskift stempel og stempelstopper.
Sømmet står for dybt.	Inddrivning på stiveren til bæreeemnet.	2. Efterjuster inddrivningspunktet.
	Underlagets tykkelse og/eller fasthed er ændret.	Tilføj mere kraft i henhold til anbefalingerne fra producenten, eller isæt en patron med større kraft.
	For lidt kraft.	Tilføj mere kraft i henhold til anbefalingerne fra producenten, eller isæt en patron med større kraft.
	Maskinen er for snavset.	Rengør maskinen.
	Stempet er slidt.	Udskift stempel og stempelstopper.
	Maskinen er beskadiget.	Kontakt Hilti.
	Forkert stempel isat.	Kontrollér, at det er den rigtige kombination udstyr stempel/element.
	Maskinen blev trykket hurtigt på	Undgå hurtigt påtrykning.
Sømmets placeringsdybde er meget svingende.	Uensartet, delvist ufuldstændig repetition.	Repetér helt
	Uensartet maskinydelse.	Rengør maskinen. Monter nye sliddele. Kontakt Hilti, hvis der stadig er variationer.



Fejl	Mulig årsag	Afhjælpning
Forskydningsbrud. 	Stempelspids er slidt eller delvist brækket.	Udskift stempel og stempelstopper.
	Inddrivning på stiveren til bæreeemnet.	2. Indstil inddrivningspunktet deromkring.
	Underlagets tykkelse og/eller fasthed er øget.	Kontroller anbefalingerne fra producenten af elementerne. Hvis tildelingen er korrekt, skal du øge kraften i henhold til anbefalingerne fra producenten af patronerne eller vælge en patron med større kraft.
Maskinen kører ikke ud igen.	Stemplet sidder fast i stempelstopperen.	Udskift stempel og stempelstopper.
	Maskinen er for snavset.	Rengør stempelføring. Kontroller, at stemplet er lige. Rengør maskinen. Se kapitel: 8.2.2 Rengøring af stempelføring 18 19 20 21
	Patronstrimlen sidder fast, maskinen er overophedet.	Se fejlen "Det er ikke muligt at fjerne patronstimlen". Overhold den maksimale inddrivningsfrekvens.
Udløsning ikke mulig.	Maskinen blev ikke rigtigt repeteret, repetergrebet er ikke i udgangsposition.	Repetér maskinen fuldstændigt, stil repetergreb i udgangsposition.
	Udløsning før bolt pistolen er presset helt ind mod emnet.	Pres maskinen helt imod, inden du skyder.
	Transportskader på befæstelselementer	Se kapitel: 7.2.1 Indsættelse af befæstelselementstrimler i magasinet 2 Se kapitel: 7.3.2 Udtagning af befæstelselementstrimler fra magasindrivningsmaskinen 9
	Magasinet eller boltføringen er ikke skruet helt på.	Skru magasin og enkeltboltføring fuldstændigt på.
	Maskinen er beskadiget.	Kontakt Hilti.
	Maskinen er for snavset.	Rengør stempelføring. Kontroller, at stemplet er lige. Rengør maskinen. Se kapitel: 8.2.2 Rengøring af stempelføring 18 19 20 21
	Udløsning før bolt pistolen er presset helt ind mod emnet.	Pres maskinen helt imod, inden du skyder.
	Ikke noget befæstelselement inddrevet.	Maskinen blev ikke rigtigt repeteret, repetergrebet er ikke i udgangsposition.
Befæstelselement er ikke sat i.		Sæt befæstelselementet i maskinen.
Sømtransporten i magasinet er defekt.		Kontakt Hilti.
Stemplet er ikke sat i.		Sæt stemplet i maskinen.
Stemplet er gået i stykker.		Udskift stempel og stempelstopper.
Stemplet føres ikke tilbage.		Kontakt Hilti.
Boltføringen er snavset.		Rengør boltføringen og påbygningsdele med de dertil beregnede dele. Smør delene med Hilti spray.

Fejl	Mulig årsag	Afhjælpning
Ikke noget befæstelseselement inddrevet.	Befæstelseselementerne i boltføringen sidder fast.	Fjern fastsiddende befæstelseselementer. Fjern plastrester i magasinstrimlen fra maskinmagasinet. Undgå forskydningsbrud. (se ovenfor) Undgå inddrivning ved siden af bæreelement; sæt om nødvendigt en ny markering.
Boltføringen kan ikke skrues helt på.	Stempelstopper er vendt forkert ved indsætning.	Skrue boltføringen af. Indsæt stempelstopper, så den vender korrekt, og skru boltføringen på igen.
	Stempelføringen bag tilslutningsgevindt er snavset.	Rengør og smør gevindene med olie.
Stemplet kan ikke monteres.	Maskinen og især stempelføringen er snavset.	Rengør stempelføringen, og monter maskinen igen.
	Skydernæsen rager ind i stempelføringen og blokerer stemplet.	Træk skydernæsen fremad, indtil den kan gå i indgreb.
Stempelføringen kan ikke monteres.	Armen er lukket.	Løsn grebet.
	Stempelføringen sidder forkert.	Indfør stempelføring korrekt.
Træg repetition.	Maskinen er snavset.	Rengør maskinen. Se kapitel: 8.2.2 Rengøring af stempelføring 18 19 20 21

da

10 Bortskaffelse



Størstedelen af de materialer, som anvendes ved fremstillingen af Hilti-produkter, kan genbruges. Materialerne skal sorteres, før de kan genbruges. I mange lande findes der allerede ordninger, hvor Hilti samler sine brugte produkter ind til genbrug. Yderligere oplysninger får du hos Hilti-kundeservice eller din lokale Hilti-konsulent. Hvis du selv vil tilføre maskinen en stofadskillelse: Følg de lokale og internationale vejledninger og forskrifter.

11 Producentgaranti - Produkter

Hilti garanterer, at det leverede produkt er fri for materiale- og fabrikationsfejl. Garantien forudsætter, at produktet anvendes og håndteres samt vedligeholdes og rengøres i henhold til Hilti-brugsanvisningen, og at den tekniske enhed er bevaret, dvs. at der udelukkende er anvendt originale Hilti-forbrugsmaterialer, -tilbehørsdele og -reservevedele eller andre produkter af tilsvarende kvalitet til produktet.

Garantien omfatter reparation uden beregning eller udskiftning af defekte dele uden beregning i hele produktets levetid. Dele, der som følge af normalt slid trænger til at blive udskiftet eller repareret, er ikke omfattet af garantien.

Hilti afviser alle yderligere krav, medmindre den nationale lovgivning forbyder en sådan afvisning. Hilti

påtager sig således intet ansvar for direkte eller indirekte skader, samtidige eller efterfølgende skader, tab eller omkostninger, som er opstået i forbindelse med eller på grund af anvendelsen af produktet, eller som er opstået på grund af produktets uegnethed til et bestemt formål. Stiltiende garantier for anvendelse eller egnethed til et bestemt formål udelukkes udtrykkeligt.

I forbindelse med reparation eller udskiftning af produktet eller dele deraf, forudsættes det, at produktet eller de pågældende dele indsendes til Hilti, umiddelbart efter at skaden er konstateret.

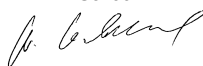
Nærværende garanti omhandler samtlige garantiforpligtelser fra Hiltis side og erstatter alle tidligere eller samtidige garantierklæringer, såvel skriftlige som mundtlige.

12 EF-overensstemmelseserklæring (original)

Betegnelse:	Boltpistol
Typebetegnelse:	DX 76
Generation:	01
Produktionsår:	2004

Vi erklærer som eneansvarlige, at dette produkt er i overensstemmelse med følgende direktiver og standarder: 2006/42/EU, 2011/65/EU.

Hilti Corporation, Feldkircherstrasse 100,
FL-9494 Schaan



Norbert Wohlwend
Head of Quality & Processes Management
BU Direct Fastening
04/2013



Tassilo Deinzer
Head of BU Direct Fastening
BU Direct Fastening
04/2013

Teknisk dokumentation ved:

Hilti Entwicklungsgesellschaft mbH
Zulassung Elektrowerkzeuge
Hiltistrasse 6
86916 Kaufering
Deutschland

13 CIP-prøvebekræftelse

Hilti DX 76 er typegodkendt og systemtestet. Som følge deraf er maskinen forsynet med PTB's kvadratiske godkendelsesmærke med det registrerede godkendelsesnummer S 813. Dermed garanterer Hilti overensstem-

melsen med den godkendte type. Uacceptable fejl, der konstateres ved anvendelsen, skal rapporteres til den ansvarlige leder af den godkendende myndighed (PTB) samt til kontoret for den Permanente Internationale Kommission (C.I.P.).

14 Bruger sundhed og sikkerhed

14.1 Støjinformation

Patrondrevet boltpistol

Type	DX 76
Model	Serie
Kaliber	6,8/18 blå
Effektindstilling	4
Anvendelse	Befæstigelse på 8 mm stål (400 MPa) med X-ENP 19 L15MX

Angivne måleværdier for støjnøgletal i henhold til maskindirektiv 2006/42/EF i forbindelse med E DIN EN 15895

Lydeffektniveau, $L_{WA, 1s}^1$	114 dB (A)
Lydtrykniveau på arbejdspladsen, $L_{pA, 1s}^2$	110 dB (A)
Spidslydtrykniveau, $L_{pC, peak}^3$	139 dB (C)

¹ ± 2 dB (A)

² ± 2 dB (A)

³ ± 2 dB (C)

Drifts- og opstillingsbetingelser: Opstilling og drift af boltpresseværktøjet ifølge E DIN EN 15895-1 i ekkofrit testrum hos firmaet Müller-BBM GmbH. De omgivende betingelser i testrummet opfylder DIN EN ISO 3745.

Testmetode: Ifølge E DIN EN 15895, DIN EN ISO 3745 og DIN EN ISO 11201 Måling i tilnærmet frit felt over et reflekterende plan.

BEMÆRKNING: De målte støjemissionsværdier og den tilhørende måleusikkerhed svarer til den øverste grænse af de støjkaraktéristika, der skal forventes ved målingerne

Afvigende arbejdsbetingelser kan føre til andre emissionsværdier.

14.2 Vibration

Den samlede vibrationsværdi, som skal oplyses i henhold til 2006/42/EF, overskrider ikke $2,5 \text{ m/s}^2$.

Yderligere oplysninger vedrørende brugersundhed og sikkerhed fremgår af Hiltis websted på adressen www.hilti.com/hse.

da

DX 76 Bultpistol

Läs noga igenom bruksanvisningen innan du använder verktyget/instrumentet.

Förvara alltid bruksanvisningen tillsammans med verktyget/instrumentet.

Se till att bruksanvisningen följer med verktyget/instrumentet, om detta lämnas till en annan användare.

SV

Innehållsförteckning	Sidan
1 Säkerhetsföreskrifter	68
2 Allmän information	70
3 Beskrivning	71
4 Tillbehör, Förbrukningsartiklar	73
5 Teknisk information	73
6 Före start	73
7 Drift	74
8 Skötsel och underhåll	77
9 Felsökning	78
10 Avfallshantering	81
11 Tillverkarens garanti	81
12 Försäkran om EU-konformitet (original)	81
13 Bekräftelse av CIP-prövning	82
14 Användarens hälsa och säkerhet	82

1 Siffrorna hänvisar till olika bilder. Bilderna som hör till texten hittar du på det utvikbara omslaget. Ha alltid detta uppslaget vid genomgång av bruksanvisningen. I den här bruksanvisningen avser "verktyget" alltid bultpistolen DX 76.

Verktygets komponenter och reglage **1**

Verktyg DX 76

- 1 Spikmagasin MX 76
- 2 Anpressningsstift
- 3 Montageöppningens skyddskåpa
- 4 Repetergrepp
- 5 Patronmagasinhållare
- 6 Indikatorfönster för laddningskontroll
- 7 Effektregrlersratt
- 8 Visare för effektregrling
- 9 Bakkappa (stödvaddering)
- 10 Hölje
- 11 Greppvaddering
- 12 Avtryckare
- 13 Spak för demontering av kolvstyrning
- 14 Skjuthylsa
- 15 Magasinhus
- 16 Spikmagasinets skyddskåpa
- 17 Anslag (element)
- 18 Ventilationsspringor
- 19 Bultstyrning X-76-F-15
- 20 Verktygets skyddskåpa

Slitagedelar

- 21 Kolv
- 22 Kolvstopp

1 Säkerhetsföreskrifter

1.1 Grundläggande säkerhetsföreskrifter

Förutom de säkerhetstekniska anvisningarna i bruksanvisningens olika kapitel måste följande föreskrifter alltid följas.

1.1.1 Användning av patroner

Använd endast Hilti-patroner eller patroner av samma kvalitet

Om patroner av sämre kvalitet sätts in i Hilti-verktyg kan det bildas avlagringar av oförbränt krut som plötsligt exploderar och kan åsamka användaren och andra personer i närheten svåra skador. Patronerna måste uppfylla följande minimikrav:

- a) Tillverkaren måste kunna styrka att produkten har klarat ett test enligt EU-riktlinje EN 16264 eller
- b) produkten ska vara CE-märkt (obligatoriskt i EU från och med juli 2013)

OBSERVERA

Alla Hilti-patroner för bultpistoler har klarat ett test enligt EN 16264. I EN 16264 definieras systemtester av specifika kombinationer av patroner och insatsverktyg, som utförs av kvalificerade certifieringsorgan. Verktygsbeteckningen, certifieringsorganets namn och systemtestets nummer anges på patronernas förpackning.

Se vidare exempel på förpackning under: www.hilti.com/dx-cartridges

1.1.2 Personssäkerhet

- a) **Var uppmärksam, ha kontroll över vad du gör och använd monteringsverktyget med förnuft. Använd inte verktyget när du är trött eller om du är påverkad av droger, alkohol eller mediciner. Under**

användning av elverktyg kan även en kort stunds ouppmärksamhet leda till allvarliga kroppsskador.

- b) Undvik att arbeta med kroppen i en obekväm ställning. Se till att hela tiden stå stadigt och hålla balansen.
- c) Rikta aldrig verktyget mot dig själv eller någon annan person.
- d) Tryck aldrig verktyget mot handen eller någon annan kroppsdel (eller mot någon annan person).
- e) Se till att andra personer, framför allt barn, håller sig undan medan arbetet pågår.
- f) Håll armen böjd (inte sträckt) när du arbetar med verktyget.

1.1.3 Omsorgsfull hantering och användning av monteringsverktyg

- a) Använd rätt verktyg. Använd inte verktyget för arbeten som det inte är avsett för. Följ anvisningarna och se till att verktyget är i gott skick.
- b) Pressa verktyget vinkelrätt mot arbetsytan.
- c) Lämna aldrig ett laddat verktyg utan uppsikt.
- d) Ladda alltid ur verktyget före rengöring, service och underhåll, vid avbrott i arbetet samt innan det läggs undan för förvaring (patron och fästelement).
- e) Verktyg som inte används måste förvaras tomma på ett torrt, högt beläget eller låst ställe utom räckhåll för barn.
- f) Kontrollera verktyg och tillbehör med avseende på eventuella skador. Före fortsatt användning måste skyddsanordningar eller lätt slitna delar noggrant kontrolleras så att de fungerar problemfritt och ändamålsenligt. Kontrollera att de rörliga delarna fungerar som de ska och inte tar i någonstans, samt att inga delar är skadade. Alla delar måste monteras på rätt sätt och enligt alla krav för att verktyget ska fungera perfekt. Skadade skyddsanordningar och delar måste repareras eller bytas ut av Hiltis serviceverkstad, om inget annat anges i bruksanvisningen.
- g) Tryck endast på avtryckaren när verktyget är exakt vinkelrätt tryckt mot underlaget.
- h) Håll alltid verktyget stadigt och i rätt vinkel mot underlaget när du arbetar med infästning. Därigenom förhindrar du att fästelement slinter på materialet.
- i) Försök aldrig driva in samma spik eller bult två gånger, då kan den gå av..
- j) Driv inte in fästelement i befintliga hål, utom i fall där Hilti rekommenderar det.
- k) Följ alltid riktlinjerna för användning.
- l) Använd skyddskåporna när användningsområdet så tillåter.
- m) Dra aldrig tillbaka magasinet eller bultstyrningen med handen. I vissa fall kan detta medföra att verktyget aktiveras. Detta kan orsaka att en spik/bult drivs in i någon kroppsdel.

1.1.4 Arbetsplats



- a) Se till att arbetsplatsen är ordentligt upplyst.
- b) Använd endast verktyget i välventilerade arbetsutrymmen.
- c) Försök inte driva in fästelement i olämpligt underlagsmaterial. Exempel på alltför hårda material är t.ex. svetsat stål och gjutstål. Alltför svaga material är t.ex. trä och gipsplattor. Alltför spröda material är t.ex. glas, keramik och kakel. Infästning i sådana material kan orsaka avbrutna fästelement, splitter eller genomskjutning.
- d) Fäst inga spikar i glas, marmor, plast, brons, mässing, koppar, natursten, isoleringsmaterial, håltegel, kakel, tunn plåt (< 3 mm), gjutjärn eller lättbetong.
- e) Försäkra dig om att ingen person finns bakom eller under arbetsytan innan du driver in fästelement.
- f) Håll god ordning på arbetsplatsen. Håll arbetsområdet fritt från föremål som kan utgöra en skaderisk. Oordning på arbetsplatsen kan leda till olyckor.
- g) Se till att handtaget är torrt, rent och fritt från olja och fett.
- h) Använd skor med halkfria sulor.
- i) Ta hänsyn till omgivningen. Utsätt inte verktyget för regn och använd det inte i fuktiga eller våta omgivningar. Använd inte verktyget i utrymmen där brand- eller explosionsrisk föreligger.

1.1.5 Mekaniska säkerhetsåtgärder



- a) Välj rätt kombinationer av bultstyrningar och fästelement. Val av fel kombination kan leda till skador på personer eller verktyg samt kan påverka infästningskvaliteten negativt.
- b) Använd endast fästelement som är avsedda och godkända för verktyget.
- c) Se till att magasinet är korrekt monterat på verktyget innan du fyller på fästelement. Fästelement kan slungas ut.
- d) Använd inte slitna kolvar och utför inga ändringar på kolven.

1.1.6 Termiska säkerhetsåtgärder



- a) Om verktyget blir överhettat måste du låta det svalna. Överskrid inte den maximala infästningshastigheten.
- b) Bär alltid skyddshandskar vid underhåll som måste utföras utan att verktyget hinner svalna.
- c) Om patronbandet av plast skulle börja smälta måste du låta verktyget svalna.

1.1.7 Explosionsfara



- a) Använd endast patroner som är godkända för verktyget.

- b) Ta ut patronbandet försiktigt ur verktyget.
- c) Försök inte ta bort patronen ur magasinet eller verktyget med våld.
- d) Patroner som inte avfyrats måste förvaras på en torr, högt belägen eller låst plats utom räckhåll för barn.

1.1.8 Personlig skyddsutrustning



Verktygets användare och personer i närheten måste under arbete och underhåll ha lämpliga skyddsglasögon, skyddshjälm och hörselskydd.

2 Allmän information

2.1 Riskindikationer och deras betydelse

FARA

Anger överhängande risker som kan leda till svåra personskador eller dödsolycka.

VARNING

Anger en potentiell risksituation som skulle kunna leda till allvarlig personskada eller dödsolycka.

FÖRSIKTIGHET

Anger situationer som kan vara farliga och leda till skador på person eller utrustning.

OBSERVERA

Används för viktiga anmärkningar och annan praktisk information.

2.2 Förklaring av illustrationer och fler anvisningar

Varningssymboler



Varning:
Allmän fara



Varning för
explosivt
material



Varning: Het
yta

Påbudssymboler



Använd
skydds-
glasögon



Använd
skyddshjälm



Använd
hörselskydd



Använd
skydds-
handskar



Läs bruksan-
visningen
före
användning

Här hittar du identifikationsdata på verktyget/instrumentet

Typbeteckningen och serienumret finns på typskylten. Skriv in dessa uppgifter i bruksanvisningen så att du alltid kan ange dem om du vänder dig till vår representant eller serviceverkstad.

Typ: _____

Generation: 01 _____

Serienr: _____

3 Beskrivning

3.1 Korrekt användning

Verktyget är avsett för yrkesmän inom olika former av byggverksamhet där man behöver driva in fästelement i stål. Verktyget får endast användas för hand.

Verktyget får inte ändras eller byggas om på något sätt.

Verktyget får inte användas i en explosiv eller brandfarlig omgivning som det inte är godkänt för.

Använd endast fästelement, patroner, tillbehör och reservdelar från Hilti eller av motsvarande kvalitet för att undvika skador.

Observera de råd beträffande användning, skötsel och underhåll som ges i bruksanvisningen.

Verktyget och dess tillbehör kan utgöra en risk om de används på ett felaktigt sätt av utbildad personal eller inte används enligt föreskrifterna.

Endast utbildad personal får använda, sköta och utföra underhåll på verktyget. Personalen måste vara särskilt informerad om de eventuella risker som kan uppstå.

Som på alla krutdrivna bultpistoler utgör verktyget, magasinet, patronerna och fästelementen en teknisk enhet. Det betyder att problemfri infästning med systemet bara kan garanteras om du använder Hiltis fästelement och patroner som är specielltillverkade för verktyget eller produkter av likvärdig kvalitet. Hiltis infästnings- och användningsrekommendationer gäller bara om dessa villkor beaktas.

Verktyget har ett femfaldigt skydd. För verktygsanvändarens säkerhet och säker arbetsmiljö.

3.2 Kolvprincip med kolvbroms

Drivladdningens energi överförs till en kolv vars accelererade massa driver in spiken i underlaget. I och med användningen av kolvprincipen klassificeras verktyget som ett låghastighetsverktyg. Ca 95 % av rörelseenergin finns i kolven. Eftersom kolven alltid stoppas i verktyget när infästningen är gjord stannar överskottsenergin kvar i verktyget. Vid korrekt användning blir därför farliga genomskjutningar med utloppshastigheter på mer än 100 m/s praktiskt taget omöjliga.

3.3 Fallsäkring

Fallsäkringen utgörs av en koppling mellan utlösningmekanismen och slagrörelsen. Detta förhindrar att Hilti DX-verktyget avfyras om det skulle tappas på en hård yta, oavsett i vilken vinkel stöten träffar.

3.4 Utlösningssäkring

Utlösningssäkringen garanterar att patronen inte kan avfyras endast genom att avtryckaren trycks in. Först när verktyget fullt ut trycks mot arbetsytan kan det avfyras.

3.5 Anpressningssäkring

Anpressningssäkringen kräver en anpressningskraft på minst 50 N, vilket innebär att verktyget endast kan avfyras om det pressas an helt mot arbetsytan.

3.6 Avfyrningssäkring

Verktyget har dessutom en utlösningssäkring. Detta innebär att ingen avfyrning sker om man först trycker in avtryckaren och därefter pressar an verktyget mot arbetsytan. Verktyget kan alltså endast avfyras om det först pressas an ordentligt och avtryckaren sedan trycks in.

3.7 Verktyg DX 76, användningsområden och infästningssortiment

Infästning av profilplåt på stål, ståltjocklek 6 mm upp till helstål

Sortiment	Beställningsbeteckning	Anmärkning
Fästelement	X-ENP-19 L15 MX	10 spikar per magasinband
Spikmagasin	MX 76	
Kolvsats	X-76-P-ENP	

Sortiment	Beställningsbeteckning	Anmärkning
Fästelement	X-ENP-19 L15	Enkelspik
Enkelbultstyrning	X-76-F-15	

SV

Infästning av profilplåt på stål, ståltjocklek 3-6 mm

Sortiment	Beställningsbeteckning	Anmärkning
Fästelement	ENP2K-20 L15 MX	10 spikar per magasinband
Spikmagasin	MX 76	
Kolv	X-76-P-ENP2K	

Sortiment	Beställningsbeteckning	Anmärkning
Fästelement	ENP2K-20 L15	Enkelspik
Enkelbultstyrning	X-76-F-15-P	

SV

Infästning av samverkansbalk

Sortiment	Beställningsbeteckning	Anmärkning
Fästelement	X-ENP-21 HVB	2 st. per ankare
Ankarplugg	X-HVB 50/ 80/ 95/ 110/ 125/ 140	
Bultstyrning	X-76-F-HVB	
Kolv	X-76-P-HVB	

Infästning av profilplåt på betong (DX-Kwik)

Sortiment	Beställningsbeteckning	Anmärkning
Fästelement	NPH2-42 L15	
Bultstyrning	X-76-F-Kwik	
Kolv	X-76-P-Kwik	
Hammarborr	TX-C 5/23	Hammarborr för förborrning

Infästningselement (diameter 10 mm) för gallerdurksmontage

Sortiment	Beställningsbeteckning	Anmärkning
Fästelement	EM8-15FP10, X-CRM8-15 FP10/ X-CR M8	För installation av X-FCM, X-FCM-F, X-FCM-R, X-FCP-F, X-FCP-R
Bultstyrning	X-76-F-10	
Kolv	X-76-P-GR	
Stöt	Stöt	För att skjuta tillbaka fästelementet
Centreringsanordning	Centreringsanordning 25	För bultstyrning X-76-F-10
Centreringsanordning	Centreringsanordning 30	För bultstyrning X-76-F-10

Fästelement (diameter 10 mm) för diverse fastsättningar på underlag av stål och betong

Sortiment	Beställningsbeteckning	Anmärkning
Fästelement	DS 27-37, DSH 57 P10	Spik för fästning av träribbor på betong och stål. Vid spikdjup över 62 mm måste hålen förberedas
Fästelement	EDS 19-27 P10	Spik för fastsättning av träribbor på stål
Fästelement	EW10-30 P10, X-EW10-27 P10, X-EM10-24 P10	10 mm gängbultar på stålunderlag
Bultstyrning	X-76-F-10	
Kolv	X-76-P-10	

4 Tillbehör, Förbrukningsartiklar

Beteckning	Artikelnummer, beskrivning
Hilti-verktygslåda	DX 76 KD, stor, med löstagbart patronfack
Verktygslåda för magasinverktyg	DX 76 MX
Rengöringssats	DX 76 / 860-ENP, Flatborste, rundborste \varnothing 25, rundborste \varnothing 8, rundstång, rengöringsduk
Hilti-spray	
Sats med kolvar och kolstopp	X-76-PS
Skyddskåpa för magasin och enkelbultstyrningar	
Toleransmätdon DX 76	

Patroner, typ	Beställningsbeteckning
Starkaste laddning (USA)	6,8/18 M svart (lila)
Extra stark laddning	6,8/18 M svart
Mycket stark laddning	6,8/18 M röd
Stark laddning	6,8/18 M blå
Svag laddning	6,8/18 M grön

5 Teknisk information

Med reservation för tekniska ändringar!

OBSERVERA

* för störningsfri drift.

Verktyg	DX 76 MX
Vikt med magasin	4,35 kg
Dimensioner (L \times B \times H)	450 mm \times 101 mm \times 352 mm
Magasinkapacitet	10 element
Slagrörelse	32 mm
Anpressningskraft	190...240 N
Användningstemperatur/omgivningstemperatur	-15...+50 °C
Max. genomsnittlig infästningshastighet*	600/h

6 Före start



OBSERVERA

Läs bruksanvisningen innan du börjar använda verktyget.

6.1 Kontrollera verktyget

Se till att inget patronband finns i verktyget. Om ett patronband finns i verktyget måste du mata ut det genom att dra upprepade gånger i repetergreppet tills du kan dra ut bandet på utmatningssidan.

Kontrollera att verktygets yttre delar inte är skadade och att reglagen fungerar som de ska. Använd inte laddaren om någon del är skadad eller om reglagen inte fungerar ordentligt. Låt auktoriserad personal från Hilti-service reparera verktyget.

Kontrollera att kolven och kolbromsen är korrekt monterade och att de inte är slitna.

SV

7 Drift



OBSERVERA

När du håller fast med andra handen måste du se till att du inte täcker över några ventilationsspringor eller andra öppningar.

VARNING

När verktyget avfyras kan splitter eller bitar av magasinbandet slungas iväg. **Såväl användaren som andra personer i närheten bör bära ögonskydd och skyddshjälm.** Splittret kan skada hud och ögon.

FÖRSIKTIGHET

När drivmedlet antänds löser infästningen av fästelementen ut. **Bär hörselskydd (både du och personer runt omkring).** Alltför starkt ljud kan skada hörseln.

VARNING

Man bör absolut inte aktivera verktyget genom att pressa det mot någon del av kroppen (t.ex. handen). Aktiveringen av verktyget kan leda till personskador (spikarna eller kolven kan orsaka skador). **Tryck aldrig verktyget mot någon kroppsdel.**

FÖRSIKTIGHET

Försök aldrig driva in samma spik eller bult två gånger, då kan den gå av..

FÖRSIKTIGHET

Driv inte in fästelement i befintliga hål, utom i fall där Hilti rekommenderar det.

FÖRSIKTIGHET

Om verktyget blir överhettat måste du låta det svalna. Överskrid inte den maximala infästningshastigheten.

7.1 Användning

Riktlinjer för infästning. Följ alltid riktlinjerna för användning.

OBSERVERA

Detaljerad information kan du få genom att skicka efter tekniska riktlinjer eller de nationella tekniska föreskrifterna från din Hilti-representant.

7.2 Tillvägagångssätt vid feltändning i patronen

Om patronen inte har avfyrats eller något går fel bör du alltid göra följande:

Håll verktyget tryckt mot arbetsytan i 30 sekunder.

Om patronen ännu inte har antänts kan du lyfta verktyget från arbetsytan, men se till att du inte riktar det mot dig själv eller någon annan person.

Mata fram patronbandet en patron i taget och använd återstående patroner på bandet. Ta bort det använda patronbandet och ta hand om det på sådant sätt att det varken kan återanvändas eller missbrukas.

7.2.1 Sätta in band i magasinet 2

Skjut in bandet ovanifrån i magasinet tills brickan på det sista fästelementet hakar fast i magasinet.

7.2.2 Välja patroner 3

1. Bestäm stålets hållfasthet och underlagsmaterialets tjocklek.
2. Välj därför avsedda patroner samt effektinställning enligt rekommendationerna för patronen.

OBSERVERA Mer detaljerade rekommendationer för patroner finns i motsvarande typgodkännanden och i Hiltis handbok för direktinfästning

7.2.3 Sätta in patronband 4

Skjut in patronbandet helt i patronmagasinhållaren på sidan.

7.2.4 Infästning med magasinverktyg 5

1. Pressa verktyget vinkelrätt mot arbetsytan.
2. Avfyr verktyget genom att trycka in avtryckaren.
3. För att kunna göra nästa infästning måste du skjuta repetergreppet bakåt och sedan framåt igen.

7.2.5 Kontroll och inställning av spikstyrning 6 7

OBSERVERA

Genom att vrida på effektregleringsratten kan du reglera verktygets effekt. (Steg 1 = minimum, steg 4 = maximum)

1. Kontrollera spikutsprånget med kontrollmättet.
2. Om ett fästelement inte drivs in tillräckligt djupt måste du öka effekten. Ställ in effekten på ett högre steg med hjälp av effektregleringsratten. Om ett fästelement drivs in för djupt måste du minska effekten. Sänk effekten ett steg med hjälp av effektregleringsratten.
3. Driv in ett fästelement.
4. Kontrollera spikutsprånget med kontrollmättet.
5. Om fästelementet fortfarande sitter för djupt eller för högt måste steg 2 till 4 upprepas tills infästningen ger önskat djup. Använd en kraftigare eller svagare patron efter behov.

7.3 Tömning av verktyget

7.3.1 Ta ut patroner ur verktyget 8

VARNING

Försök inte ta bort patronen ur patronbandet eller verktyget med våld.

1. Mata fram patronbanden genom att dra upprepade gånger i repetergreppet tills patronöppningen syns.
2. Dra ut patronbandet ut öppningen.

7.3.2 Ta ut spik-/bultbanden från magasinverket **9**

WARNING

Se till att inget patronband finns i verktyget. Om det finns ett patronband i verktyget trycker du på verktygets repetergrepp tills du ser patronen. Ta därefter för hand ut patronen ur dess utloppsöppning.

FÖRSIKTIGHET

Spik-/bultbandet stöts ut med fjädrande kraft.

1. Tryck in spik-/bultbandet 5 mm djupare i magasinet och håll fast det.
2. Tryck fram anslaget med tummen och håll fast det.
3. Ta ut spik-/bultbandet ur magasinet.

7.4 Byta spikmagasin eller bultstyrning (tillbehör)

7.4.1 Demontering **10**

WARNING

Det får inte finnas några patroner i verktyget. Det får inte finnas några fästelement i spikmagasinet eller bultstyrningen.

FÖRSIKTIGHET

Efter användningen kan komponenterna vara mycket heta. **Bär alltid skyddshandskar om du måste utföra följande underhållssteg utan att verktyget hinner svalna.**

1. Kontrollera att repetergreppet står i grundläget.
2. Skruva loss bultstyrningen (eller spikmagasinet).
3. Ta bort kolvarna ur kolstyrningen och kolstoppet ur spikmagasinet.

7.4.2 Montering **11**

1. Sätt in kolstoppet i rätt läge i den bultstyrning (eller det spikmagasin) som ska monteras.
2. Kontrollera att repetergreppet står i grundläget.
3. Stick in en lämplig kolv i verktygets kolstyrning.
4. Skruva fast bultstyrningen (eller spikmagasinet) till anslaget på kolstyrningen och vrid tillbaka den tills den hakar fast.
5. Dra en gång i repetergreppet.

7.5 Infästning med enkelbultstyrning (tillbehör)

WARNING

Se till att verktygets skyddskåpa är monterad.

7.5.1 Sätta in fästelementet i enkelinfästningsverktyget **12**

1. Vrid verktyget så att bultstyrningen är vänd uppåt.
2. För in fästelementet uppifrån i verktyget.

7.5.2 Välja patroner **3**

1. Bestäm stålets hållfasthet och underlagsmaterialets tjocklek.

2. Välj därför avsedda patroner samt effektinställning enligt rekommendationerna för patronen.

OBSERVERA Mer detaljerade rekommendationer för patroner finns i motsvarande typgodkännanden och i Hiltis handbok för direktinfästning

7.5.3 Sätta in patronband **4**

Skjut in patronbandet helt i patronmagasinhållaren på sidan.

7.5.4 Infästning med enkelinfästningsverktyg

1. Pressa verktyget vinkelrätt mot arbetsytan.
2. Avfyr verktyget genom att trycka in avtryckaren.
3. För att kunna göra nästa infästning måste du skjuta repetergreppet bakåt och sedan framåt igen.

7.5.5 Kontroll och inställning av spikstyrning **6 7**

OBSERVERA

Genom att vrida på effektregeringsratten kan du reglera verktygets effekt. (Steg 1 = minimum, steg 4 = maximum)

Kontrollera spikens fäst djup och effektinställningen enligt avsnitt 7.2.5 "Kontroll och inställning av spikstyrning".

7.6 Infästning av samverkansbalk (tillbehör) **13 14**

WARNING

Se till att verktygets skyddskåpa är monterad.

7.6.1 Sätta in ett element i HVB-bultstyrningen

OBSERVERA

Insättning av det första elementet i samverkansbalken

1. Montera HVB-bultstyrningen enligt avsnitt 7.4 "Byta bultstyrning (eller spikmagasin)".
2. Flytta sliden tills den hakar fast och siffran 1 visas.
3. Vrid verktyget så att bultstyrningen är vänd uppåt.
4. För in elementet ovanifrån i den markerade öppningen i verktyget.

7.6.2 Sätta in patronband **4**

OBSERVERA

För infästning av HVB-samverkansbalk används normalt svarta eller i vissa fall röda patroner. Mer detaljerade rekommendationer för patroner finns i motsvarande typgodkännanden och i Hiltis handbok för direktinfästning

Skjut in patronbandet helt i patronmagasinhållaren på sidan.

7.6.3 Infästning med HVB-bultstyrningen **14**

1. Sätt fast samverkansbalken på stödplattan. Den hålls fast av en magnet.
2. Pressa verktyget vinkelrätt mot arbetsytan.
3. Avfyr verktyget genom att trycka in avtryckaren.
4. För att kunna göra nästa infästning måste du skjuta repetergreppet bakåt och sedan framåt igen.

7.6.4 Kontroll och inställning av spikstyrning 6 7

OBSERVERA

Genom att vrida på effektregleringsratten kan du reglera verktygets effekt. (Steg 1 = minimum, steg 4 = maximum)

Kontrollera spikens fästdjup och effektinställningen enligt avsnitt 7.2.5 "Kontroll och inställning av spikstyrning".

7.6.5 Sätta in ett andra element i HVB-bultstyrningen 15

OBSERVERA

Insättning av det andra elementet i samverkansbalken

1. Flytta sliden tills den hakar fast och siffran 2 visas.
2. Vrid verktyget så att bultstyrningen är vänd uppåt.
3. För in elementet ovanifrån i den markerade öppningen i verktyget.

7.6.6 Infästning med HVB-bultstyrningen 14

1. För in stödplattan i bygeln och pressa an verktyget i rätt vinkel mot arbetsytan.
2. Avfyra verktyget genom att trycka in avtryckaren.
3. För att kunna göra nästa infästning måste du skjuta repetergreppet bakåt och sedan framåt igen.

7.7 Infästning av gallerdurk (tillbehör)

VARNING

Se till att verktygets skyddskåpa är monterad.

7.7.1 Sätta in ett element i gallerdurksbultstyrningen (F8)

1. Montera gallerdurksbultstyrningen enligt avsnitt 7.4 "Byta spikmagasin eller bultstyrning (tillbehör)".
2. Vrid verktyget så att bultstyrningen är vänd uppåt.
3. För in fästelementet uppifrån i verktyget.

7.7.2 Sätta in patronband 4

Skjut in patronbandet helt i patronmagasinhållaren på sidan.

7.7.3 Infästning med gallerdurksbultstyrning 16

1. Pressa verktyget vinkelrätt mot arbetsytan.
2. Avfyra verktyget genom att trycka in avtryckaren.
3. Kontrollera om möjligt fästdjupet genom att titta på bultsprånget.
4. Skruva på fästflänsen om sådan används (vridmoment 5 till 8 Nm).
5. För att kunna göra nästa infästning måste du skjuta repetergreppet bakåt och sedan framåt igen.

7.7.4 Kontroll och inställning av spikstyrning 6 7

OBSERVERA

Genom att vrida på effektregleringsratten kan du reglera verktygets effekt. (Steg 1 = minimum, steg 4 = maximum)

Kontrollera spikens fästdjup och effektinställningen enligt avsnitt 7.2.5 "Kontroll och inställning av spikstyrning".

7.8 Infästning med F10 bultstyrning

VARNING

Se till att verktygets skyddskåpa är monterad.

Infästning med F10-bultstyrningen går till på samma sätt som infästning med gallerdurk (kapitel 7.7.).

7.9 Infästning av profilplåt på betong (DX Kwik, tillbehör)

VARNING

Se till att verktygets skyddskåpa är monterad.

7.9.1 Sätta in ett element i DX Kwik-bultstyrningen

1. Montera DX Kwik-bultstyrningen enligt avsnitt 7.4 "Byta spikmagasin eller bultstyrning (tillbehör)".
2. Vrid verktyget så att bultstyrningen är vänd uppåt.
3. För in fästelementet uppifrån i verktyget.

7.9.2 Sätta in patronband

OBSERVERA

För infästning av profilplåt på betong används normalt blå patroner. Mer detaljerade rekommendationer för patroner finns i motsvarande typgodkännanden och i Hiltis handbok för direktinfästning.

Skjut in patronbandet helt i patronmagasinhållaren på sidan.

7.9.3 Infästning med DX Kwik-bultstyrningen 17

1. Förborra profilplåten samt betongunderlaget med hammarborren.
2. För in spiken som sticker ut ur bultstyrningen i det förborrade hålet och pressa an verktyget i rätt vinkel.
3. Avfyra verktyget genom att trycka in avtryckaren.
4. För att kunna göra nästa infästning måste du skjuta repetergreppet bakåt och sedan framåt igen.

7.9.4 Kontroll och inställning av spikstyrning 6 7

OBSERVERA

Genom att vrida på effektregleringsratten kan du reglera verktygets effekt. (Steg 1 = minimum, steg 4 = maximum)

Kontrollera spikens fästdjup och effektinställningen enligt avsnitt 7.2.5 "Kontroll och inställning av spikstyrning".

8 Skötsel och underhåll



FÖRSIKTIGHET

Även vid normal användning blir verktyget smutsigt och funktionsrelevanta komponenter slits. **Regelbundna kontroller och underhållsåtgärder är därför en förutsättning för tillförlitlig och säker användning. Vid flitig användning rekommenderar vi att du rengör verktyget och kontrollerar kolvar och kolvstopp minst en gång om dagen, dock senast efter 3 000 fästningar!**

WARNING

Det får inte finnas några patroner i verktyget. Det får inte finnas några fästelement i spikmagasinet eller bultstyrningen.

FÖRSIKTIGHET

Verktyget kan bli hett under arbetet. Du kan bränna händerna. **Använd skyddshandskar vid skötsel- och underhållsarbete. Låt verktyget svalna.**

8.1 Underhåll av verktyget

Rengör verktygets utsida regelbundet med en lätt fuktad putstrasa.

OBSERVERA

Använd inte spruta eller ångstråle vid rengöringen! Använd aldrig verktyget med tilltäppta ventilationspringor! Se till så att främmande föremål inte kommer in i verktyget.

8.2 Underhåll

Kontrollera regelbundet verktygets alla yttre delar med avseende på skador och alla reglage med avseende på god funktion. Använd inte verktyget om delar är skadade eller reglage inte fungerar väl. Låt Hilti-service reparera verktyget.

Verktyget får endast användas tillsammans med rekommenderade patroner och med korrekt effektinställning. Om du väljer fel patroner eller för hög effekt kan verktyget skadas.

FÖRSIKTIGHET

Smuts i DX-verktyg innehåller ämnen som kan vara farliga för din hälsa. **Andas inte in damm eller smuts vid rengöring. Se till att damm eller smuts inte kommer i kontakt med livsmedel. Tvätta händerna när du har rengjort instrumentet. Använd aldrig fett vid underhåll/smörjning av verktygets delar. Detta kan leda till funktionsstörningar. Använd endast Hilti-spray eller produkter med jämförbar kvalitet**

8.2.1 Kontrollera kolven, byt kolv/kolvstopp

WARNING

Det får inte finnas några patroner i verktyget. Det får inte finnas några fästelement i spikmagasinet eller bultstyrningen.

FÖRSIKTIGHET

Efter användningen kan komponenterna vara mycket heta. **Bär alltid skyddshandskar om du måste utföra följande underhållssteg utan att verktyget hinner svalna.**

OBSERVERA

Om kolven sätts i på fel sätt flera gånger leder det till slitage på kolv och kolvstopp. Om kolven är trasig och/eller kolvstoppets elastomer uppvisar kraftigt slitage bör dessa komponenter bytas.

OBSERVERA

Kolven och kolvstoppet ska kontrolleras med jämna mellanrum, minst en gång om dagen.

OBSERVERA

Spikmagasinet eller bultstyrningen måste skruvas av för att kolven och kolvstoppet ska kunna bytas ut. Kolvstyrningen får inte demonteras

1. Skruva loss bultstyrningen (eller spikmagasinet).
2. Dra ut kolven ur kolvstyrningen.
3. Kontrollera att kolven inte är skadad. Om det finns tecken på skador måste både kolven OCH kolvstoppet bytas ut.
- OBSERVERA** Kontrollera att kolven inte är böjd genom att rulla den på en plan yta. Använd inte slitna kolvar och manipulera inte kolven.
4. Ta bort kolvstoppet ut bultstyrningen om kolven måste bytas ut.
5. Sätt in det nya kolvstoppet i rätt läge i den bultstyrning (eller det spikmagasin) som ska monteras.
- OBSERVERA** Spruta Hilti-spray på kolvstoppets öppning.
6. Stick in kolven i verktygets kolvstyrning.
7. Skruva fast bultstyrningen (eller spikmagasinet) till anslaget på kolvstyrningen och vrid tillbaka den tills den hakar fast.
8. Dra en gång i repetergreppet.

8.2.2 Rengöra kolvstyrningen 18 19 20 21

WARNING

Det får inte finnas några patroner i verktyget. Det får inte finnas några fästelement i spikmagasinet eller bultstyrningen.

FÖRSIKTIGHET

Efter användningen kan komponenterna vara mycket heta. **Bär alltid skyddshandskar om du måste utföra följande underhållssteg utan att verktyget hinner svalna.**

1. Kontrollera att repetergreppet står i grundläget.
2. Skruva loss spikmagasinet (eller bultstyrningen).
3. Ta ut kolvarna ur kolvstyrningen och kolvstoppet ur spikmagasinet (eller bultstyrningen).

SV

4. **FÖRSIKTIGHET Håll verktyget med kolstyrningen uppåt, annars riskerar kolstyrningen att ramla ut.**
Sväng ut spaken för demontering av kolstyrningen.
5. Dra ut kolstyrningen ur verktyget.
OBSERVERA Kolstyrningen får inte demonteras ytterligare.
6. Rengör hållaren för kolstyrningen i verktyget.
7. Rengör kolstyrningens yta invändigt och utvändigt med de stora borstarna.
8. Rengör reglerstiftets hål med den lilla rundborsten och rengör patronlagret med den koniska borsten.
9. Spraya slid och kolstyrningskrage på kolstyrningen med Hilti-spray.
10. Spraya in ståldelarna med Hilti-spray.
OBSERVERA Användning av andra smörjmedel än Hilti-spray kan skada gummidelarna.
11. Kontrollera att repetergreppet står i grundläget.
12. Skjut in kolstyrningen i verktyget.
13. Tryck försiktigt in kolstyrningen.
OBSERVERA Spaken kan endast stängas om du trycker in kolstyrningen något (några mm) i verktyget. Om det ändå inte går att stänga spaken, se kapitel 9 Felsökning.
14. Vrid spaken medan kolstyrningen är lätt intryckt.
15. Anslut kolven till kolstyrningen.
16. Montera kolstoppet.
17. Skruva fast bultstyrningen (eller spikmagasinet) till anslaget på kolstyrningen och vrid tillbaka den tills den hakar fast.
18. Spraya in den öppna springan i huset bakom repetergreppet för att smörja patronloppet.
19. Dra en gång i repetergreppet.

8.3 Kontroll efter skötsel- och underhållsarbeten



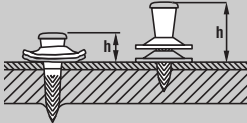
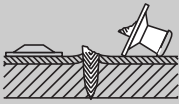
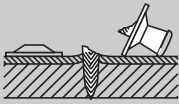
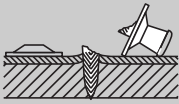
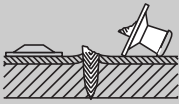
Efter underhåll och reparation samt innan patronen läggs i måste du kontrollera att alla skyddsanordningar har monterats och fungerar felfritt.

9 Felsökning

VARNING

Före reparationer måste verktyget laddas ur.

Fel	Möjlig orsak	Lösning
Patronen matas inte fram.	Patronbandet är skadat.	Byt ut patronbandet. Se kapitlet: 7.3.1 Ta ut patroner ur verktyget 8
	Verktyget är skadat.	Kontakta Hilti.
Patronbandet kan inte tas bort.	Verktyget är skadat eller överhettat pga. hög infästningshastighet.	Låt verktyget svalna och försök försiktigt ta bort patronbandet. Demontera kolstyrningen ur verktyget. Om patronhylsan har fastnat i patronlagret måste hylsan tas bort med hjälp av rundstången i rengöringssatsen. Kontakta Hilti om problemet därefter fortfarande kvarstår. VARNING Försök inte ta bort patronen ur magasinet eller verktyget med våld.
Patronen kan inte avfyras.	Verktyget pressas inte an ordentligt.	Pressa an verktyget igen och gör en ny infästning.
	Patronbandet är tomt.	Ladda ur patronbandet och ladda det igen.
	Magasinet eller bultstyrningen är inte ordentligt fastskruvade.	Skruva på magasinet ordentligt.
	Patronen är defekt.	Repetera och använd resten av patronerna.
	Verktyget eller patronen är defekt.	Kontakta Hilti.
	Verktyget repeterar inte	Repetera verktyget Se kapitlet: 8.2.2 Rengöra kolstyrningen 18 19 20 21

Fel	Möjlig orsak	Lösning
Spiken sätts för djupt. 	Infästning bredvid balken.	Markera balkens position och upp- repa infästningen på balken. Ta hänsyn till underlaget så att plåten ligger an tätt.
	Fel kolv har satts i.	Kontrollera att utrustningskombinatio- nen kolv/fästelement är korrekt.
	Kolven är utsliten.	Byt ut kolv och kolvstopp.
Spiken sätts för grunt. 	Infästning i balklivet.	2. Flytta fästpunkten.
	Ändrad underlagstjocklek och/eller materialfasthet.	Öka energin enligt rekommendationen för patronen resp. använd en patron med högre energi.
	För liten energi.	Öka energin enligt rekommendationen för patronen resp. använd en patron med högre energi.
	Verktyget är för smutsigt.	Rengör verktyget.
	Kolven är utsliten.	Byt ut kolv och kolvstopp.
	Verktyget är skadat.	Kontakta Hilti.
Spiken sticker ut snett. 	Fel kolv har satts i.	Kontrollera att utrustningskombinatio- nen kolv/fästelement är korrekt.
	Verktyget har pressats an för häftigt	Använd verktyget mer varsamt.
	Ojämn, delvis ofullständig repetering.	Fullständig repetitionsrörelse
Skärskador. 	Ojämn verktygseffekt.	Rengör verktyget. Sätt ditt en ny sli- tagedel. Om ojämnheten kvarstår, kontakta Hilti.
	Kolvspetsen är sliten eller delvis av- bruten.	Byt ut kolv och kolvstopp.
Verktyget kan inte dras isär. 	Infästning i balklivet.	2. Sätt fästpunkten bredvid.
	Ökad underlagstjocklek och/eller ma- terialfasthet.	Kontrollera elementrekommendatio- nerna. Om fördelningen är korrekt kan du öka energin enligt patronens re- kommendationer resp. använda en patron med högre energi.
	Patronbandet sitter fast, verktyget är överhettat.	Se felet "Patronbandet kan inte tas bort". Överskrid inte den maximala infästningshastigheten.
Verktyget kan inte avfyra. 	Kolven har fastnat i kolvstoppet.	Byt ut kolv och kolvstopp.
	Verktyget är för smutsigt.	Rengör kolvstyrningen. Kontrollera att kolven är rak. Rengör verktyget. Se kapitlet: 8.2.2 Rengöra kolvstyr- ningen 18 19 20 21
Verktyget kan inte avfyra. 	Verktyget har inte repeterats på rätt sätt och repetergreppet är ej i ut- gångsläge.	Repetera verktyget helt och ställ re- petergreppet i utgångsläge.
	Avfyrning innan verktyget pressats an helt.	Pressa an verktyget helt och fyra se- dan av det.

Fel	Möjlig orsak	Lösning
Verktyget kan inte avfyras.	Transportfel på fästelement	Se kapitlet: 7.2.1 Sätta in band i magasinet 2 Se kapitlet: 7.3.2 Ta ut spik-/bultbanden från magasinverkyget 9
	Magasinet resp. bultstyrningen har inte skruvats fast helt.	Skruva fast magasin och enkelbultstyrning helt.
	Verktyget är skadat.	Kontakta Hilti.
	Verktyget är för smutsigt.	Rengör kolvstyrningen. Kontrollera att kolven är rak. Rengör verktyget. Se kapitlet: 8.2.2 Rengöra kolvstyrningen 18 19 20 21
	Avfyrning innan verktyget pressats an helt.	Pressa an verktyget helt och fyra sedan av det.
Inget fästelement har satts in.	Verktyget har inte repeterats på rätt sätt och repetergreppet är ej i utgångsläge.	Repetera verktyget helt och ställ repetergreppet i utgångsläge.
	Fästelementet har inte satts i.	Sätt in fästelementet i verktyget.
	Spikmatningen i magasinet är defekt.	Kontakta Hilti.
	Kolven har inte satts i.	Sätt in kolven i verktyget.
	Kolven är skadad.	Byt ut kolv och kolvstopp.
	Kolven ställs inte tillbaka.	Kontakta Hilti.
	Bultstyrningen är smutsig.	Rengör bultstyrningen och monteringsdelarna med avsedda borstar. Olja in dem med Hilti-spray.
	Fästelement har fastnat i bultstyrningen.	Ta bort fästelement som har fastnat. Ta bort magasinbandsplastrester från verktygsmagasinet. Undvik skärskador (se ovan). Undvik infästning bredvid balken. Förbättra markeringarna vid behov.
Bultstyrningen kan inte skruvas på helt.	Kolvstoppet har satts in felvänt.	Skruva av bultstyrningen. Sätt in kolvstoppet rättvänt och skruva på bultstyrningen igen.
	Kolvstyrningen bakom anslutningsgången är smutsig.	Rengör och olja in gången.
Kolven kan inte monteras.	Verktyget är smutsigt, särskilt kolvstyrningen.	Rengör kolvstyrningen och montera ihop verktyget igen.
	Slidens spets sticker in i kolvstyrningen och blockerar kolven.	Dra slidens spets framåt tills den kan haka i.
Kolvstyrningen kan inte monteras.	Spaken är stängd.	Lossa spaken.
	Kolvstyrningen är felaktigt placerad.	Sätt in kolvstyrningen i rätt läge.
Repeteringen går trögt.	Verktyget är smutsigt.	Rengör verktyget. Se kapitlet: 8.2.2 Rengöra kolvstyrningen 18 19 20 21

10 Avfallshantering



Hilti-verktyg är till stor del tillverkade av återvinningsbart material. En förutsättning för återvinning är att materialet separeras på rätt sätt. I många länder tar Hilti emot sina uttjänta produkter för återvinning. Fråga Hiltis kundservice eller din Hilti-säljare. Om du själv vill separera materialet i verktyget: Följ de regionala och internationella riktlinjerna och föreskrifterna.

11 Tillverkarens garanti

Hilti garanterar att produkten inte har några material- eller tillverkningsfel. Garantin gäller under förutsättning att verktyget används, hanteras, underhålls och rengörs korrekt enligt Hiltis bruksanvisning och att den tekniska enheten bevaras, d.v.s. att endast förbrukningsmaterial, tillbehör och reservdelar i original från Hilti eller andra produkter av jämförbar kvalitet används tillsammans med verktyget.

Garantin omfattar kostnadsfri reparation eller kostnadsfritt utbyte av felaktiga delar under hela produktens livslängd. Delar som normalt slits omfattas inte av garantin.

Ytterligare anspråk är uteslutna, såvida inte annat strikt föreskrivs i nationella bestämmelser. Framför

allt kan Hilti inte hållas ansvarigt för direkta eller indirekta tillfälliga skador eller följskador, förluster eller kostnader i samband med användningen eller p.g.a. att produkten inte kan användas för en viss uppgift. Indirekt garanti avseende användning eller lämplighet för något bestämt ändamål är uttryckligen utesluten.

När felet fastställts ska produkten tillsammans med den aktuella delen skickas för reparation och/eller utbyte till Hiltis serviceverkstad.

Denna garanti omfattar Hiltis samtliga skyldigheter och ersätter alla tidigare eller samtida uttalanden, skriftliga eller muntliga överenskommelser vad gäller garanti.

12 Försäkran om EU-konformitet (original)

Beteckning:	Bultpistol
Typbeteckning:	DX 76
Generation:	01
Konstruktionsår:	2004

Vi försäkras under eget ansvar att produkten stämmer överens med följande riktlinjer och normer: 2006/42/EG, 2011/65/EU.

Hilti Corporation, Feldkircherstrasse 100,
FL-9494 Schaan

Norbert Wohlwend
Head of Quality & Processes Management
BU Direct Fastening
04/2013

Tassilo Deinzer
Head of BU Direct Fastening
BU Direct Fastening
04/2013

Teknisk dokumentation vid:

Hilti Entwicklungsgesellschaft mbH
Zulassung Elektrowerkzeuge
Hiltistrasse 6
86916 Kaufering
Deutschland

SV

13 Bekräftelse av CIP-provning

Hilti DX 76 är typgodkänd och systemtestad. Som tecken på detta har verktyget ett fyrkantigt PTB-godkännandemärke med godkännandenummer S 813. På detta sätt garanterar Hilti att verktyget

stämmer överens med typprovet. Oacceptabla defekter som konstateras vid användning av verktyget måste rapporteras till ansvarig myndighet (PTB) samt till "Office of the Permanent International Commission" (C.I.P.).

14 Användarens hälsa och säkerhet

14.1 Bullerinformation

Patrondrivet bultpistolverktyg

Typ	DX 76
Modell	Serie
Kaliber	6.8/18 blå
Effektinställning	4
Användningsområden	Infästning i 8 mm stål (400 MPa) med X-ENP 19 L15MX

Deklarerade mätvärden för buller enligt maskinriktlinje 2006/42/EG tillsammans med E DIN EN 15895

Ljudeffektnivå, $L_{WA, 1S}$ ¹	114 dB (A)
Ljudtrycksnivå på arbetsplats, $L_{pA, 1s}$ ²	110 dB (A)
Ljudtrycksnivåns högsta värde, $L_{pC, peak}$ ³	139 dB (C)

¹ ± 2 dB (A)

² ± 2 dB (A)

³ ± 2 dB (C)

Drift- och installationsförhållanden: Installation och drift av bultpistoler enligt E DIN EN 15895-1 i reflektionsfattig testmiljö hos Firma Müller-BBM GmbH. Testmiljöns omgivningsförhållanden motsvarar DIN EN ISO 3745.

Testmetod: Enligt E DIN EN 15895, DIN EN ISO 3745 och DIN EN ISO 11201, mätning i ett fritt fält över ett reflekterande plan.

ANMÄRKNING: De uppmätta bulleremissionerna och tillhörande mätosäkerhet representerar den övre gränsen för mätvärden som förväntas vid mätningarna.

Avvikande arbetsvillkor kan leda till andra emissionsvärden.

14.2 Vibration

Högsta totalvärdet för vibrationer som ska anges enligt 2006/42/EG ska inte överstiga 2,5 m/s².

Ytterligare information om användarens hälsa och säkerhet framgår av Hiltis webbsida www.hilti.com/hse.

DX 76 Boltepistol

Det er viktig at bruksanvisningen leses før apparatet brukes for første gang.

Oppbevar alltid bruksanvisningen sammen med apparatet.

Pass på at bruksanvisningen ligger sammen med apparatet når det overlates til andre personer.

Innholdsfortegnelse	Side
1 Sikkerhetsregler	83
2 Generell informasjon	85
3 Beskrivelse	86
4 Tilbehør, forbruksmateriale	88
5 Tekniske data	88
6 Ta maskinen i bruk	88
7 Betjening	89
8 Service og vedlikehold	92
9 Feilsøking	93
10 Avhending	96
11 Produsentgaranti apparater	96
12 EF-samsvarserklæring (original)	97
13 Bekreftelse av CIP-test	97
14 Brukerens helse og sikkerhet	97

1 Disse numrene refererer til tilhørende bilde. Bildene finnes på omslaget. La disse sidene være framme ved gjennomgåelse av bruksanvisningen.

I teksten i denne bruksanvisningen referer "maskin" alltid til boltepistol DX 76.

Maskindeler og betjeningselementer **1**

Maskin DX 76

- ① Spikermagasin MX 76
- ② Press-stift
- ③ Beskyttelsesdeksel montasjeåpning
- ④ Ladearm
- ⑤ Drivpatronmagasin
- ⑥ Vindu ladekontroll
- ⑦ Effektregeringshjul
- ⑧ Viser for effektregulering
- ⑨ Hette (støttepolster)
- ⑩ Deksel
- ⑪ Håndtakspolster
- ⑫ Utløser
- ⑬ Spak for demontering av stempelføring
- ⑭ Skyvehylse
- ⑮ Magasinhus
- ⑯ Beskyttelsesdeksel spikermagasin
- ⑰ Stopper (element)
- ⑱ Ventilasjonsspalte
- ⑲ Boltføring X-76-F-15
- ⑳ Beskyttelsesdeksel maskin

Slitedeler

- ⑳ Stempel
- ㉑ Stempelstopper

1 Sikkerhetsregler

1.1 Grunnleggende sikkerhetsinformasjon

I tillegg til sikkerhetstipsene som er beskrevet i de ulike avsnittene i bruksanvisningen, må følgende punkter følges.

1.1.1 Bruk av patroner

Bruk kun Hilti-patroner eller patroner av tilsvarende kvalitet

Hvis det brukes mindrevverdige patroner i Hilti-verktøy, kan det dannes avleiringer av uforbrent pulver, som plutselig kan eksplodere og føre til alvorlige skader på brukeren og personer i nærheten. Patronene må oppfylle ett av følgende minstekrav:

- a) Den aktuelle produsenten må kunne dokumentere kontroll i henhold til EU-norm EN 16264.
- b) Produktet må være merket med symbolet for CE-samsvar (påbudt i EU fra juli 2013).

INFORMASJON

Alle Hilti-patroner til boltepistoler er testet og godkjent i henhold til EN 16264. Kontrollene som er definert i normen EN 16264, dreier seg om systemtester med spesifikke kombinasjoner av patroner og verktøy, som gjennomføres av godkjenninginstanser. Verktøybetegnelsen, navnet på godkjenninginstansen og systemtestnummeret er angitt på patronens emballasje.

Se også emballasjeeksempel under: www.hilti.com/dx-cartridges

1.1.2 Personikkerhet

- a) **Vær oppmerksom, pass på hva du gjør og gå fornuftig fram under arbeidet med en direkte-montasjemaskin. Ikke bruk maskinen når du er**

no

trett eller er påvirket av narkotika, alkohol eller medikamenter. Et øyeblikks uoppmerksomhet ved bruk av maskinen kan føre til alvorlige skader.

- b) **Unngå ugunstig kroppsholdning. Sørg for at du står støtt og behold alltid balansen.**
- c) **Ikke rett maskinen mot deg selv eller andre personer.**
- d) **Ikke press maskinen mot hånden din eller mot andre kroppsdeler (eller mot en annen person).**
- e) **Hold andre personer, særlig barn, borte fra arbeidsplassen.**
- f) **Hold armene bøyd (ikke utstrekt) når du bruker verktoyet.**

1.1.3 Riktig håndtering og bruk av direktemonteringsmaskiner

- a) **Bruk riktig maskin. Ikke bruk maskinen til formål som den ikke er beregnet for, men kun til tiltenkte bruksområder. Maskinen skal være i forskriftsmessig stand ved bruk.**
- b) **Trykk maskinen i rett vinkel mot arbeidsflaten.**
- c) **La ikke en ladet maskin ligge uten tilsyn.**
- d) **Ta alltid ut drivpatroner og festeelementer før det utføres rengjørings-, service- og vedlikeholdsarbeid og før maskinen lagres.**
- e) **Når maskinen ikke er i bruk må den lades ut og oppbevares på et tørt sted, innlåst og utenfor rekkevidde for barn.**
- f) **Kontroller om det er feil på maskinen og tilbehøret. Før videre bruk må verneanordninger eller lett slitte deler nøye kontrolleres for å sikre at maskinen er i forsvarlig stand og fungerer forskriftsmessig. Sjekk at de bevegelige delene fungerer feilfritt og at de ikke sitter fast eller er skadet. Alle delene må være riktig montert og oppfylle alle betingelser for å sikre at maskinen fungerer feilfritt. Verneutstyr med feil må repareres eller byttes på fagmessig måte av Motek servicesenter dersom ikke annet er angitt i denne bruksanvisningen.**
- g) **Avtrekkeren skal bare brukes når maskinen står trykket helt loddrett mot underlaget.**
- h) **Hold alltid maskinen fast og alltid rettvinklet på underlagsmaterialet ved bruk. Slik forhindrer man at festeelementet spretter tilbake fra underlagsmaterialet.**
- i) **Ikke sett inn et festeelement ved hjelp av enda et festeelement, det kan føre til brudd.**
- j) **Ikke sett et festeelement i et hull som allerede finnes, unntatt når dette anbefales av Hilti.**
- k) **Ta alltid hensyn til retningslinjene for bruk av maskinen.**
- l) **Bruk beskyttelsesdeklene når bruken tillater det.**
- m) **Ikke trekk magasinet/boltføringen bakover med hånda. Maskinen kan da utilsiktet gjøres klart til bruk. At det er klart til drift, muliggjør også at elementene kan settes inn i kroppsdeler.**

1.1.4 Arbeidsplassen



- a) **Sørg for god belysning på arbeidsplassen.**
- b) **Maskinen skal bare brukes i arbeidsområder med god lufting.**
- c) **Ikke sett uegnede festeelementer i underlagsmaterialet.** Materiale som er for hardt, som f.eks. sveiset stål og støpejern. Materiale som er for mykt, som f.eks. tre og gipsplater. Materiale som er for sprøtt, som f.eks. glass og fliser. Feste i disse materialene kan føre til at festeelementene brykker, splintres eller at de går rett igjennom.
- d) **Fest aldri spiker i glass, marmor, plast, bronse, messing, kobber, naturlig stein, isolasjonsmateriale, hul murstein, glasert takstein, tynne plater (< 3 mm), støpejern og gassbetong.**
- e) **Før festeelementene festes, må man forsikre seg om at ingen står bak eller under materialet det skal festes i.**
- f) **Hold arbeidsplassen ryddig. Gjenstander som kan medføre fare bør fjernes fra arbeidsplassen. Uorden på arbeidsplassen kan føre til ulykker.**
- g) **Hold håndtaket tørt, rent og fritt for olje og fett.**
- h) **Bruk sko som ikke sklir.**
- i) **Ta hensyn til påvirkning fra omgivelsene. Ikke utsett maskinen for nedbør, ikke benytt den i fuktige eller våte omgivelser. Ikke benytt maskinen på steder hvor det er brann- eller eksplosjonsfare.**

1.1.5 Mekaniske sikkerhetstiltak



- a) **Velg riktige kombinasjoner av boltføring og festeelementer.** Hvis man ikke bruker den riktige kombinasjonen kan det føre til personskader, skade på maskinen og/eller det kan påvirke festekvaliteten.
- b) **Bruk kun festeelementer som er beregnet for denne maskinen.**
- c) **Ikke fyll festeelementer i magasinet hvis det ikke er riktig montert på maskinen. Festeelementene kan bli kastet ut.**
- d) **Ikke bruk slitte stempelstoppere og ikke modifier stempel.**

1.1.6 Termiske sikkerhetstiltak



- a) Hvis maskinen er overopphetet, må du la den kjøles ned. Ikke overskrid den maksimale festeraten.
- b) Bruk alltid vernehansker hvis du må utføre vedlikehold uten å la maskinen kjøles ned først.
- c) Skulle plasten på drivpatronene begynne å smelte, må du stanse med en gang og la maskinen kjøles ned.

1.1.7 Eksplosjonsfarlig



- a) Bruk kun drivpatroner som er beregnet for denne maskinen.

- b) Fjern drivpatronremsen forsiktig fra maskinen.
- c) Ikke prøv å fjerne drivpatroner fra magasinremsen eller maskinen med kraft.
- d) Ubrukte drivpatroner må oppbevares på et tørt, avlåst sted utenfor barns rekkevidde.

1.1.8 Personlig verneutstyr



Brukeren og personene som oppholder seg i nærheten må benytte vernebriller, hjelm og hørselsvern når maskinen er i bruk eller hvis det foregår feilsøking.

no

2 Generell informasjon

2.1 Indikasjoner og deres betydning

FARE

Dette ordet brukes om en umiddelbart truende fare som kan føre til alvorlige personskader eller død.

ADVARSEL

Dette ordet brukes for å rette fokus på potensielt farlige situasjoner, som kan føre til alvorlige personskader eller død.

FORSIKTIG

Dette ordet brukes for å rette fokus på potensielt farlige situasjoner som kan føre til mindre personskader eller skader på utstyret eller annen eiendom.

INFORMASJON

For bruksanvisninger og andre nyttige informasjoner.

2.2 Forklaring på piktogrammer og ytterligere opplysninger.

Varselskilt



Generell advarsel



Advarsel for eksplosjonsfarlige stoffer



Advarsel: Varm overflate

Verneutstyr



Bruk vernebriller



Bruk hjelm



Bruk hørselsvern



Bruk arbeidshansker



Les bruksanvisningen før bruk

Plassering av identifikasjonsdata på apparatet

Typebetegnelsen og serienummeret finnes på maskinens typeskilt. Skriv ned disse dataene i bruksanvisningen og referer alltid til dem ved henvendelse til din salgsrepresentant eller til Motek service.

Type: _____

Generasjon: 01 _____

Serienummer: _____

3 Beskrivelse

3.1 Forskriftsmessig bruk

Maskinen brukes av profesjonelle brukere i byggebransjen til å sette festeelementer i stål.

Maskinen skal kun benyttes for hånd.

Modifisering eller endringer på maskinen er ikke tillatt.

Ikke bruk verktøyet i eksplosiv eller brannfarlig atmosfære. Unntak for verktøy som er godkjent for bruk under slike forhold.

For å unngå skader, må man kun benytte originale Hilti festeelementer, drivpatroner, tilbehør og reservedeler eller material av samme kvalitet.

Følg informasjonen i bruksanvisningen angående bruk, stell og vedlikehold.

Maskinen og tilleggsutstyret kan utgjøre en fare hvis det betjenes av ukvalifisert personell eller det benyttes feil.

Den må kun brukes, vedlikeholdes og repareres av personell med egnet opplæring. Personalet må informeres om spesielle farer som kan oppstå.

Som for alle kuttredne boltepestoler utgjør maskinen, magasinet og patronene samt festeelementene én teknisk enhet. Det betyr at problemfri innfesting med dette systemet kun kan garanteres ved bruk av Hilti festeelementer og patroner, eller produkter av likeverdig kvalitet, som er produsert spesielt for verktøyet. Anbefalinger som er gitt, forutsetter at det tas hensyn til disse forholdene.

Maskinen har en 5-dobbel beskyttelse. For sikkerheten til brukeren av maskinen og sikkerheten i arbeidsområdet.

3.2 Stempelprinsipp med stoppering

Energien fra drivpatronen fører stampelet fremover, og det akselererer spikeren som drives inn i materialet. Bruken av stempelprinsippet gjør at maskinen kan klassifiseres som et "lavhastighetsverktøy". Rundt 95 % av den kinetiske energien befinner seg i stampelet. Fordi stampelet uansett stanses i maskinen ved slutten av festeprosessen, blir overflødig energi igjen i maskinen. Ved korrekt bruk er det derfor ikke praktisk mulig å utføre gjennomskyting med utgangshastigheter for elementer på mer enn 100 m/s.

3.3 Avfyringssikkerhet mot fall

Avfyringssikkerheten mot fall er et resultat av at stampelet har en viss avstand til avfyringsenheten. Dette sikrer at maskinen ikke avfyrrer hvis den faller, uansett i hvilken vinkel den faller.

3.4 Avtrekksikkerhet

Avtrekksikkerheten sikrer at ikke skytingen utløses kun ved at man trykker på avtrekkeren. Maskinen kan kun bli avfyr når den presses helt mot fast materiale.

3.5 Kontaktsikkerhet

Kontaktsikkerheten krever at maskinen presses med en kraft på minst 50 N, slik at man kun med fullt press på maskinen kan starte festingen.

3.6 Avfyringssikkerhet

Maskinen har i tillegg en avfyringssikkerhet. Denne forhindrer at maskinen fyrer av når avtrekkeren holdes inne og maskinen presses mot arbeidsmaterialet etterpå. Maskinen kan bare fyre av når den først er presset korrekt mot arbeidsmaterialet og man først etter dette trykker på avtrekkeren.

3.7 Maskin DX 76, bruksområder og festeelementprogram

Feste av profilplate på stål, ståltykkelse 6 mm til helstål

Program	Bestillingsbetegnelse	Merknad
Festelementer	X-ENP-19 L15 MX	10 spiker per magasinremse
Spikermagasin	MX 76	
Stempelsett	X-76-P-ENP	

Program	Bestillingsbetegnelse	Merknad
Festelementer	X-ENP-19 L15	Enkeltspiker
Enkeltboltføring	X-76-F-15	

Feste av profilplate på stål, ståltkjelse 3-6 mm

Program	Bestillingsbetegnelse	Merknad
Festelementer	ENP2K-20 L15 MX	10 spiker per magasinremse
Spikermagasin	MX 76	
Stempel	X-76-P-ENP2K	

Program	Bestillingsbetegnelse	Merknad
Festelementer	ENP2K-20 L15	Enkeltspiker
Enkeltboltføring	X-76-F-15-P	

Feste med monteringsplugg

Program	Bestillingsbetegnelse	Merknad
Festelementer	X-ENP-21 HVB	2 stk. pr. monteringsplugg
Monteringsplugg	X-HVB 50/ 80/ 95/ 110/ 125/ 140	
Boltføring	X-76-F-HVB	
Stempel	X-76-P-HVB	

no

Feste av profilplater på betong (DX-Kwik)

Program	Bestillingsbetegnelse	Merknad
Festelementer	NPH2-42 L15	
Boltføring	X-76-F-Kwik	
Stempel	X-76-P-Kwik	
Flensbor	TX-C 5/23	Flensbor til forboring

Festelementer (diameter 10 mm) for gitterristfeste

Program	Bestillingsbetegnelse	Merknad
Festelementer	EM8-15FP10, X-CRM8-15 FP10/ X-CR M8	For installasjon av X-FCM, X-FCM-F, X-FCM-R, X-FCP-F, X-FCP-R
Boltføring	X-76-F-10	
Stempel	X-76-P-GR	
Innstøter	Innstøter	For tilbakeskyving av feste-element
Sentreringsinnretning	Sentreringsinnretning 25	For boltføring X-76-F-10
Sentreringsinnretning	Sentreringsinnretning 30	For boltføring X-76-F-10

Festelementer (diameter 10 mm) for diverse innfesting i stål og betong

Program	Bestillingsbetegnelse	Merknad
Festelementer	DS 27-37, DSH 57 P10	Spiker for innfesting av trelekter på betong og stål, fra 62 mm må spikeren være smidd
Festelementer	EDS 19-27 P10	Spiker for festing av trelekter på stål
Festelementer	EW10-30 P10, X-EW10-27 P10, X-EM10-24 P10	10 mm bolt på stålunderlag
Boltføring	X-76-F-10	
Stempel	X-76-P-10	

4 Tilbehør, forbruksmaterial

Betegnelse	Artikkelnummer, Beskrivelse
Hilti-koffert	DX 76 KD, stor, med låsbart drivpatronrom
Koffert magasinmaskin	DX 76 MX
Rengjøringssett	DX 76 / 860-ENP, Flatbørste, rundbørste \varnothing 25, rundbørste \varnothing 8, stempel, rengjøringsklut
Hilti spray	
Sett med stempel og stempelstopper	X-76-PS
Beskyttelsesdeksel for magasin og enkeltboltføring	
Skyvelære til DX 76	

no

Drivpatrontype	Bestillingsbetegnelse
Størst ladning (USA)	6.8/18 M svart (lilla)
Ekstra sterk ladning	6.8/18 M svart
Svært sterk ladning	6.8/18 M rød
Sterk ladning	6.8/18 M blå
Svak ladning	6.8/18 M grønn

5 Tekniske data

Med forbehold om løpende tekniske forandringer!

INFORMASJON

*for problemfri drift.

Maskin	DX 76 MX
Vekt med magasin	4,35 kg
Mål (L x B x H)	450 mm x 101 mm x 352 mm
Magasinkapasitet	10 elementer
Kontaktvei	32 mm
Presskraft	190...240 N
Brukstemperatur/omgivelsestemperatur	-15... +50 °C
Maksimal gjennomsnittlig festerate*	600/h

6 Ta maskinen i bruk



INFORMASJON

Les bruksanvisningen før bruk.

6.1 Kontrollerer maskinen

Forsikre deg om at det ikke er noen drivpatroner i maskinen. Hvis det er en drivpatronremse i maskinen,

transporterer du den ved å gjenta utkast flere ganger til du kan få tak i drivpatronremsen, og fjerner drivpatronremsen ved å trekke den ut.

Kontroller alle utvendige deler av maskinen for å se om det har oppstått skader. Sjekk at betjeningselementene fungerer feilfritt. Ikke benytt maskinen når deler er skadet eller ikke fungerer feilfritt. La Motek service gjennomføre reparasjoner.

Kontroller at stempler og stempelstopper er riktig montert og kontroller dem mht. slitasje.

7 Betjening



INFORMASJON

Når du holder fast med den andre hånden, må du passe på at ikke ventilasjonsspalter eller åpninger dekkes til.

ADVARSEL

I løpet av festeprosessen kan materiale splittes opp og magasindeler slås ut av maskinen. **Bruk derfor egnet øyeværn og hjelm. Dette gjelder også for personer som er i nærheten.** Avsplittet material kan skade kroppen og øynene.

FORSIKTIG

Festing av festeelementer utløses av at det blir antent en drivladning. **Bruk hørselsvern. Dette gjelder også for personer i nærheten.** For sterk støy kan skade hørselen.

ADVARSEL

Ved trykking mot en kroppsdel, f.eks. hånden, gjøres ikke maskinen forskriftsmessig klar til bruk. Når maskinen er klar til bruk, kan den også treffe kroppsdel (farerisiko på grunn av spiker eller stempel). **Trykk aldri maskinen mot kroppsdel.**

FORSIKTIG

Ikke sett inn et festeelement ved hjelp av enda et festeelement, det kan føre til brudd.

FORSIKTIG

Ikke sett et festeelement i et hull som allerede finnes, unntatt når dette anbefales av Hilti.

FORSIKTIG

Hvis maskinen er overopphetet, må du la den kjøles ned. Ikke overskrid den maksimale festeraten.

7.1 Bruk

Retningslinjer for festing. Ta hensyn til retningslinjene for bruk av maskinen.

INFORMASJON

Hvis du vil ha detaljert informasjon, kan du ta kontakt med Motek og be om å få tilsendt tekniske retningslinjer eller nasjonale tekniske forskrifter.

7.2 Forholdsregler ved feilttenning i patron

Hvis drivpatronen ikke fyrer av, skal du alltid gå fram på følgende måte:

Hold maskinen presset mot arbeidsflaten i 30 sekunder.

Hvis drivpatronen fremdeles ikke fyrer av, tar du maskinen bort fra arbeidsflaten. Pass på at maskinen ikke er rettet mot deg selv eller andre.

Trekk frem til neste drivpatron ved å foreta utkast i én drivpatronlengde, bruk opp de resterende drivpatronene, fjern den oppbrukte drivpatronremsen og kast den slik at den ikke kan brukes igjen eller misbrukes.

7.2.1 Sette inn festeelementremser i magasinet 2

Skyv festeelementremsen inn i magasinet ovenfra til rondellene i det siste elementet går i inngrep i magasinet.

7.2.2 Velge drivpatroner 3

1. Bestem stålfastheten og materialtykkelsen til underlagsmaterialet.
2. Velg egnet patron og effektinnstilling i henhold til anbefalingen på patronen.

INFORMASJON For detaljert anbefaling av patroner kan du konsultere den aktuelle forhandleren eller Hiltis håndbok for direktemontasje

7.2.3 Sette i drivpatronremser 4

Skyv drivpatronremsen helt inn i drivpatronmagasinet på siden.

7.2.4 Feste med magasinfestemaskinen 5

1. Trykk maskinen i rett vinkel mot arbeidsflaten.
2. Utløs skuddet ved å trekke i avtrekkeren.
3. Til forberedelse av neste festing må du trekke ladearmen bakover og skyve den frem igjen.

7.2.5 Kontroll og innstilling av spikerfremspring 6 7

INFORMASJON

Reguler effekten til maskinen ved å dreie på effektreguleringshjulet. (Trinn 1 = minimum; trinn 4 = maksimum)

1. Kontroller spikeroverhøyden med skyvelæren.
2. Hvis et festeelement ikke går dypt nok ned, må du øke effekten. Still effekten på effektreguleringshjulet ett trinn høyere. Hvis et festeelement går for dypt ned, må du redusere effekten. Still effekten på effektreguleringshjulet ett trinn lavere.
3. Fest et festeelement.
4. Kontroller spikeroverhøyden med skyvelæren.
5. Hvis festeelementet fortsatt går for langt ned eller ikke langt nok, må du gjenta trinn 2 til 4 til festet når riktig dybde. Bruk eventuelt en sterkere eller svakere drivpatron.

no

7.3 Tømming av maskinen

7.3.1 Ta drivpatroner ut av maskinen **8**

ADVARSEL

Ikke prøv å fjerne drivpatroner fra remsen eller maskinen med kraft.

1. Forskyv drivpatronremsen ved å gjenta utkast flere ganger til den er synlig i utløpsåpningen.
2. Trekk drivpatronremsen ut av utløpsåpningen.

7.3.2 Ta ut festeelementremser av magasinfestemaskinen **9**

ADVARSEL

Forsikre deg om at det ikke er noen drivpatroner i maskinen. Dersom det er drivpatron i maskinen, aktiverer du utkasteren til patronen blir synlig. Så trekker du patronen ut av åpningen.

FORSIKTIG

Elementremsen støtes ut med fjærkraft.

1. Trykk festeelementremsen 5 mm dypere inn i magasinet og hold den fast i denne posisjonen.
2. Trykk den roterende stopperen frem med tommelen, og hold den fast i denne posisjonen.
3. Ta ut festeelementremsen fra magasinet.

7.4 Skifte spikermagasin eller boltføring (tilbehør)

7.4.1 Demontering **10**

ADVARSEL

Det må ikke finnes drivpatroner i maskinen. Det må ikke finnes noen festeelementer i spikermagasinet eller i boltføringen.

FORSIKTIG

Etter bruk kan delene som skal håndteres, være svært varme. **Bruk alltid vernehansker hvis du må utføre følgende vedlikehold uten å la maskinen kjøles ned først.**

1. Kontroller at ladearmen står i grunnstillingen.
2. Skru av boltføringen (eller spikermagasinet).
3. Fjern stempelet fra stempelføringen og stempelstopperen fra spikermagasinet.

7.4.2 Montering **11**

1. Sett stempelstopperen i riktig posisjon i boltføringen (eller spikermagasinet) som skal monteres.
2. Kontroller at ladearmen står i grunnstillingen.
3. Sett det passende stempelet i stempelføringen på maskinen.
4. Skru boltføringen (eller spikermagasinet) så langt det går på stempelføringen og dreii den tilbake til den går i inngrep.
5. Foreta utkast en gang på ladearmen.

7.5 Festing med enkeltboltføring (tilbehør)

ADVARSEL

Kontroller at beskyttelsesdekselet er montert på maskinen.

7.5.1 Sette inn festeelementet i enkeltfestemaskinen **12**

1. Drei maskinen slik at boltføringen vender opp.
2. Før festeelementet inn i maskinen ovenfra.

7.5.2 Velge drivpatroner **3**

1. Bestem stålfastheten og materialtykkelsen til underlagsmaterialet.
2. Velg egnet patron og effektinnstilling i henhold til anbefalingen på patronen.

INFORMASJON For detaljert anbefaling av patroner kan du konsultere den aktuelle forhandleren eller Hiltis håndbok for direktemonasje

7.5.3 Sette i drivpatronremser **4**

Skyv drivpatronremsen helt inn i drivpatronmagasinet på siden.

7.5.4 Feste med enkeltfestemaskin

1. Trykk maskinen i rett vinkel mot arbeidsflaten.
2. Utløs skuddet ved å trekke i avtrekkeren.
3. Til forberedelse av neste festing må du trekke ladearmen bakover og skyve den frem igjen.

7.5.5 Kontroll og innstilling av spikerfremspring **6 7**

INFORMASJON

Reguler effekten til maskinen ved å dreie på effektreguleringshjulet. (Trinn 1 = minimum; trinn 4 = maksimum)

Kontroller spikerfremspringet og styrkeinnstillingen ifølge avsnitt 7.2.5 "Kontroll og innstilling av spikerfremspring".

7.6 Feste av monteringsplugg (tilbehør) **13 14**

ADVARSEL

Kontroller at beskyttelsesdekselet er montert på maskinen.

7.6.1 Sette inn elementet i HVB-boltføringen

INFORMASJON

Festing av det første elementet i monteringspluggen

1. Monter HVB-boltføringen ifølge avsnitt 7.4 "Skifte/montere spikermagasin eller boltføring (tilbehør)".
2. Legg glideren slik at den går i inngrep og tallet 1 blir synlig.
3. Drei maskinen slik at boltføringen vender opp.

4. Før elementet ovenfra og inn i den markerte åpningen på maskinen.

7.6.2 Sette i drivpatronremser 4

INFORMASJON

Før feste av HVB-monteringsplugg er det best å bruke svarte patroner eller i noen tilfeller også røde patroner. For detaljert anbefaling av patroner kan du konsultere den aktuelle forhandleren eller Hiltis håndbok for direkte-montasje

Skyv drivpatronremsen helt inn i drivpatronmagasinet på siden.

7.6.3 Festing med HVB-boltføringen 14

1. Sett monteringspluggen på stopplaten. Den holdes ved hjelp av en magnet.
2. Trykk maskinen i rett vinkel mot arbeidsflaten.
3. Utløs skuddet ved å trekke i avtrekkeren.
4. Til forberedelse av neste festing må du trekke ladearmen bakover og skyve den frem igjen.

7.6.4 Kontroll og innstilling av spikerfremspring 6 7

INFORMASJON

Reguler effekten til maskinen ved å dreie på effektreguleringshjulet. (Trinn 1 = minimum; trinn 4 = maksimum)

Kontroller spikerfremspringet og styrkeinnstillingen ifølge avsnitt 7.2.5 "Kontroll og innstilling av spikerfremspring".

7.6.5 Sett det andre elementet inn i HVB-boltføringen 13

INFORMASJON

Festing av det andre elementet i monteringspluggen

1. Legg glideren slik at den går i inngrep og tallet 2 blir synlig.
2. Drei maskinen slik at boltføringen vender opp.
3. Før elementet ovenfra og inn i den markerte åpningen på maskinen.

7.6.6 Festing av HVB-boltføringen 14

1. Før stopplaten inn i bøylen og press maskinen i rett vinkel mot arbeidsflaten.
2. Utløs skuddet ved å trekke i avtrekkeren.
3. Til forberedelse av neste festing må du trekke ladearmen bakover og skyve den frem igjen.

7.7 Feste av gitterrist (tilbehør)

ADVARSEL

Kontroller at beskyttelsesdekselet er montert på maskinen.

7.7.1 Sette inn elementet i gitterristboltføring (F8)

1. Monter gitterristboltføring ifølge avsnitt 7.4 "Skifte/montere spikermagasin eller boltføring (tilbehør)".
2. Drei maskinen slik at boltføringen vender opp.

3. Før festeelementet inn i maskinen ovenfra.

7.7.2 Sette i drivpatronremser 4

Skyv drivpatronremsen helt inn i drivpatronmagasinet på siden.

7.7.3 Festing med gitterristboltføring 16

1. Trykk maskinen i rett vinkel mot arbeidsflaten.
2. Utløs skuddet ved å trekke i avtrekkeren.
3. Hvis mulig skal inntrengingsdybden kontrolleres ved kontroll av stempelutstikket.
4. Ved bruk av flens, skal du skru på en festeflens (tiltrekkingsmoment 5 til 8 Nm).
5. Til forberedelse av neste festing må du trekke ladearmen bakover og skyve den frem igjen.

7.7.4 Kontroll og innstilling av spikerfremspring 6 7

INFORMASJON

Reguler effekten til maskinen ved å dreie på effektreguleringshjulet. (Trinn 1 = minimum; trinn 4 = maksimum)

Kontroller spikerfremspringet og styrkeinnstillingen ifølge avsnitt 7.2.5 "Kontroll og innstilling av spikerfremspring".

7.8 Feste med F10 boltføring

ADVARSEL

Kontroller at beskyttelsesdekselet er montert på maskinen.

Ved feste med F10 boltføring skal du gå frem på tilsvarende måte som ved feste med gitterrist (kapittel 7.7.).

7.9 Feste av profilplater på betong (DX Kwik tilbehør)

ADVARSEL

Kontroller at beskyttelsesdekselet er montert på maskinen.

7.9.1 Sette inn elementet DX Kwik-boltføring

1. Monter DX Kwik stempelføring ifølge avsnitt 7.4 "Skifte/montere spikermagasin eller boltføring (tilbehør)".
2. Drei maskinen slik at boltføringen vender opp.
3. Før festeelementet inn i maskinen ovenfra.

7.9.2 Sette i drivpatronremser

INFORMASJON

Før feste av profilplate på betong er det best å bruke blå patroner. For detaljert anbefaling av patroner kan du konsultere den aktuelle forhandleren eller Hiltis håndbok for direkte-montasje.

Skyv drivpatronremsen helt inn i drivpatronmagasinet på siden.

no

7.9.3 Festing med DX Kwik-boltføring 17

1. Utfør forboring av profilplaten og betongunderlaget med flensboret.
2. Før spikeren som stikker ut av boltføringen inn i det forborede hullet og press maskinen i rett vinkel mot underlaget.
3. Utløs skuddet ved å trekke i avtrekkeren.
4. Til forberedelse av neste festing må du trekke ladearmen bakover og skyve den frem igjen.

7.9.4 Kontroll og innstilling av spikerfremspring 6 7

INFORMASJON

Reguler effekten til maskinen ved å dreie på effektreguleringshjulet. (Trinn 1 = minimum; trinn 4 = maksimum)

Kontroller spikerfremspringet og styrkeinnstillingen ifølge avsnitt 7.2.5 "Kontroll og innstilling av spikerfremspring".

8 Service og vedlikehold

no



FORSIKTIG

Avhengig av maskin vil deler som har betydning for funksjonen, bli tilsmusset og slitt ved vanlig bruk. **Derfor er regelmessig kontroll og vedlikehold en nødvendig forutsetning for pålitelig og sikker bruk av maskinen. Vi anbefaler en rengjøring av maskinen og kontroll av stempel og stempelstopperen minst daglig ved intensiv bruk, og senest etter 3000 fester!**

ADVARSEL

Det må ikke finnes drivpatroner i maskinen. Det må ikke finnes noen festeelementer i spikermagasinet eller i boltføringen.

FORSIKTIG

Maskinen kan bli varm ved bruk. Man kan brenne hendene. **Bruk arbeidshansker ved stell og vedlikehold av maskinen. La maskinen kjøles av.**

8.1 Vedlikehold av maskinen

Bruk en lett fuktig klut og rengjør utsiden av maskinen jevnlig.

INFORMASJON

Ikke bruk spray eller damprengjøringsystemer i rengjøringen! Ikke bruk maskinen når ventilasjonsåpningene er tette! Hindre at fremmedlegemer trenger inn i maskinen.

8.2 Vedlikehold

Sjekk etter skader på alle eksterne deler av maskinen jevnlig og kontrollér at betjeningselementene fungerer feilfritt. Ikke bruk maskinen hvis deler av den er ødelagt, eller hvis betjeningselementene ikke fungerer feilfritt. La et Motek servicesenter foreta reparasjonen.

Bruk maskinen bare med anbefalte drivpatroner og effektinnstilling. Feil drivpatronvalg eller for høy energiinnstilling kan føre til for tidlig svikt i maskindeler.

FORSIKTIG

Smuss i DX-maskiner inneholder stoffer som kan være helseskadelige. **Ikke pust inn støv/smuss fra rengjøring. Hold støv/smuss på avstand fra næringsmidler. Vask hendene etter rengjøring av apparatet. Bruk aldri fett til vedlikehold/smøring**

av maskindeler. Dette kan føre til funksjonsfeil på maskinen. Bruk kun Hilti-spray eller produkter av tilsvarende kvalitet

8.2.1 Kontroller stempelet, bytt ut stempel/stempelstopper hvis nødvendig

ADVARSEL

Det må ikke finnes drivpatroner i maskinen. Det må ikke finnes noen festeelementer i spikermagasinet eller i boltføringen.

FORSIKTIG

Etter bruk kan delene som skal håndteres, være svært varme. **Bruk alltid vernehansker hvis du må utføre følgende vedlikehold uten å la maskinen kjøles ned først.**

INFORMASJON

Gjentatt feilfesting fører til slitasje på stempel og stempelstopper. Når stempelet har brudd og/eller gummiene på stempelstopperen er svært slitt, er den maksimale levetiden for disse komponentene nådd.

INFORMASJON

Stempelet og stempelstopperen skal kontrolleres regelmessig, og minst en gang om dagen.

INFORMASJON

Når stempelet og stempelstopperen skal skiftes ut, må spikermagasinet eller boltføringen skrues av. Stempelføringen trenger ikke å avmonteres.

1. Skru av boltføringen (eller spikermagasinet).
2. Trekk stempelet ut av stempelføringen.
3. Kontroller stempelet for skader. Hvis det er tegn på skader, må du skifte ut stempelet OG stempelstopperen.

INFORMASJON Kontroller om stempelet er bøyd ved å rulle det på en glatt flate. Ikke bruk slitte stempler og ikke modifier stempelet.

4. Hvis stempelet skal skiftes ut, må du fjerne stempelstopperen fra boltføringen.
5. Sett den nye stempelstopperen i riktig posisjon i boltføringen (eller spikermagasinet) som skal monteres.

INFORMASJON Spray i åpningen på stempelstopperen med Hilti-spray.

- Sett stampelet i stempelføringen på maskinen.
- Skrú boltføringen (eller spikermagasinet) så langt det går på stempelføringen og drei den tilbake til den går i inngrep.
- Foreta utkast en gang på ladearmen.

8.2.2 Rengjøre stempelføring 18 19 20 21

ADVARSEL

Det må ikke finnes drivpatroner i maskinen. Det må ikke finnes noen festelemeter i spikermagasinet eller i boltføringen.

FORSIKTIG

Etter bruk kan delene som skal håndteres, være svært varme. **Bruk alltid vernehansker hvis du må utføre følgende vedlikehold uten å la maskinen kjøles ned først.**

- Kontroller at ladearmen står i grunnstillingen.
 - Skrú av spikermagasinet (eller boltføringen).
 - Fjern stampelet fra stempelføringen og stempelstopperen fra spikermagasinet (eller boltføringen).
 - FORSIKTIG Hold maskinen med stempelføringen oppover. Ellers kan stempelføringen falle ut.** Drei spaken ut for å demontere stempelføringen
 - Trekk stempelføringen ut av maskinen.
- INFORMASJON** Stempelføringen skal ikke demonteres ytterligere.
- Rengjør uttaket til stempelføringen i maskinen.

- Rengjør overflaten på stempelføringen innvendig og utvendig med de store børstene.
 - Rengjør hullet på reguleringsstiften med den lille rundbørsten og drivpatronlageret med den koniske børsten.
 - Spray sleiden og anslaget til stempelføringen med Hilti spray.
 - Spray ståldelene i maskinen med Hilti spray.
- INFORMASJON** Bruk av andre smøremidler enn Hilti spray kan skade gummidelere.
- Kontroller at ladearmen står i grunnstillingen.
 - Skyv stempelføringen inn i maskinen.
 - Press stempelføringen lett.
- INFORMASJON** Spaken kan bare lukkes ved lett presset (noen mm) stempelføring. Hvis spaken likevel ikke kan lukkes, kan du se kapittel 9 Feilsøking.
- Drei spaken inn ved lett presset stempelføring.
 - Sett stampelet i stempelføringen.
 - Monter stempelstopperen.
 - Skrú boltføringen (eller spikermagasinet) så langt det går på stempelføringen og drei den tilbake til den går i inngrep.
 - Spray bak ladearmen i den åpne dekselspalten for å smøre drivpatronfremtrekket.
 - Foreta utkast en gang på ladearmen.

no

8.3 Kontroll etter stell og vedlikeholdsarbeid



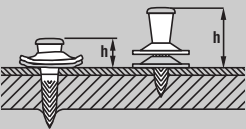

Etter stell og vedlikehold av maskinen og før drivpatronen legges i, må man kontrollere at alle beskyttelses- og sikkerhetsmekanismene er tilpasset og fungerer som de skal.

9 Feilsøking

ADVARSEL

Før feiloppretingsarbeid må maskinen tømmes.

Feil	Mulig årsak	Løsning
Drivpatronen transporteres ikke.	Drivpatronremse er skadet.	Bytt ut drivpatronremsen. Se kapittel: 7.3.1 Ta drivpatroner ut av maskinen 8
	Maskinen er skadet.	Ta kontakt med Motek.
Drivpatronremse kan ikke fjernes.	Maskinen er skadet eller overopphetet på grunn av høy festerate.	Vent til maskinen er avkjølt og forsøk forsiktig å fjerne drivpatronremsen på nytt. Avmonter stempelføringen fra maskinen. En drivpatronhylse som er fastklemt i drivpatronlageret, fjerner du ved hjelp av rundstangen i rengjøringssettet. Kontakt Hilti dersom du ikke får løs hylsen.
		ADVARSEL Ikke prøv å fjerne drivpatroner fra magasinremsen eller maskinen med kraft.
Drivpatronen fyrer ikke av.	Maskinen er ikke presset helt.	Press maskinen på nytt og avfyr flere fester.

Feil	Mulig årsak	Løsning	
Drivpatronen fyrer ikke av.	Drivpatronremsen er tom.	Ta ut drivpatronremsen og sett i en ny.	
	Magasin eller boltføring er ikke skrudd tilstrekkelig fast.	Skru magasinet bedre fast.	
	Enkelte drivpatroner er dårlige.	Foreta utkast og bearbeid resten av drivpatronene.	
	Maskinen er defekt eller drivpatroner er dårlige.	Ta kontakt med Motek.	
	Maskinen foretar ikke utkast.	Maskinen foretar utkast. Se kapittel: 8.2.2 Rengjøre stempel-føring 18 19 20 21	
For lite spikerfremspring.	Festet ved siden av bjelken.	Merk bjelkeposisjon og gjenta feste på bjelke. Korriger byggingen slik at platen ligger i flukt med underlagsmaterialet.	
			
	Det er satt inn feil stempel.	Kontroller riktig kombinasjon av stempel/element.	
Stempelet er slitt.		Bytt stempel og stempelstopper.	
	For stort spikerfremspring.	Feste på bjelkesteg.	Sett et ekstra festepunkt.
		Endret tykkelse og/eller fasthet på underlagsmateriale.	Oppjuster energien i henhold til drivpatronanbefaling eller bruk drivpatron med større energi.
For lite energi.	For lite energi.	Oppjuster energien i henhold til drivpatronanbefaling eller bruk drivpatron med større energi.	
	Maskinen er for tilsmusset.	Rengjør maskinen.	
	Stempelet er slitt.	Bytt stempel og stempelstopper.	
	Maskinen er skadet.	Ta kontakt med Motek.	
	Det er satt inn feil stempel.	Kontroller riktig kombinasjon av stempel/element.	
	Spikerfremspring er svært krumt.	Maskinen ble slaglignende presset.	Unngå slaglignende pressing.
		Ujevn, delvis ufullstendig utkasting.	Fullstendig utkast.
Ujevn maskineffekt.		Rengjør maskinen. Sett inn nye slitedeler. Ta kontakt med Motek hvis det fortsatt er variasjoner.	
Skjærbrudd.	Stempelspissen er slitt eller delvis brukket av.	Bytt stempel og stempelstopper.	
		Feste på bjelkesteg.	Sett et ekstra festepunkt ved siden av.
	Økt tykkelse og/eller fasthet på underlagsmateriale.	Kontroller elementanbefaling. Hvis tilordningen er riktig, må du oppjustere energien i henhold til anbefalingene for drivpatronen eller bruke drivpatron med større energi.	
Maskinen går ikke fra hverandre.	Stempelet forkiler seg i stempelstopperen.	Bytt stempel og stempelstopper.	

no

Feil	Mulig årsak	Løsning
Maskinen går ikke fra hverandre.	Maskinen er for tilsmusset.	Rengjøre stempelføring Kontroller om stampelet er rett. Rengjør maskinen. Se kapittel: 8.2.2 Rengjøre stempelføring 18 19 20 21
	Drivpatronremsen er klemt fast, maskinen er overopphet.	Se feilen "Drivpatronremse kan ikke fjernes". Overhold maksimal festerate.
Avfyring ikke mulig.	Maskinen foretok ikke riktig utkast, utkasteren er ikke i utgangsstilling.	Foreta utkast fullstendig for maskinen, still utkasteren i utgangsstilling.
	Avfyring før fullstendig pressing.	Press maskinen helt og fyr av først da.
	Transportskader på festeelementene	Se kapittel: 7.2.1 Sette inn feste-elementremser i magasinet 2 Se kapittel: 7.3.2 Ta ut festelementremser av magasininfestemaskinen 9
	Magasin eller boltføring er ikke skrudd helt fast.	Skru magasin og enkeltboltføring helt fast.
	Maskinen er skadet.	Ta kontakt med Motek.
	Maskinen er for tilsmusset.	Rengjøre stempelføring Kontroller om stampelet er rett. Rengjør maskinen. Se kapittel: 8.2.2 Rengjøre stempelføring 18 19 20 21
Ingen festeelementer festet.	Maskinen foretok ikke riktig utkast, utkasteren er ikke i utgangsstilling.	Foreta utkast fullstendig for maskinen, still utkasteren i utgangsstilling.
	Festeelementet er ikke satt i.	Sett festeelementet i maskinen.
	Spikertransport i magasinet er defekt.	Ta kontakt med Motek.
	Stampelet er ikke satt i.	Sett stampelet i maskinen.
	Stampelet er brukket.	Bytt stempel og stempelstopper.
	Stampelet tilbakestilles ikke.	Ta kontakt med Motek.
	Boltføringen er tilsmusset.	Rengjør boltføringen og de påmonterte delene med børstene som er beregnet på det. Smør med Hilti spray.
	Festeelementene i boltføringen er klemt fast.	Fjern fastklemt festeelementer. Fjern plastrester og magasinremser fra maskinmagasinet. Unngå skjærbrudd (se ovenfor). Unngå feste ved siden av bjelke; merk eventuelt av bedre.
Boltføring kan ikke skrues helt fast.	Stempelstopperen er satt inn feil vei.	Skru av boltføringen. Snu stempelstopperen mot høyre og sett den inn, og skru boltføringen på igjen.
	Stempelføring bak tilkoblingsgjengene er tilsmusset.	Rengjør og smør gjengen.
Stampelet kan ikke monteres.	Maskinen er tilsmusset, særlig stempelføringen.	Rengjør stempelføringen og monter maskinen på nytt.
	Sleidespissen stikker ut i boltføringen og blokkerer stampelet.	Trekk sleidespissen forover til den går i inngrep.
Stempelføring kan ikke monteres.	Spaken er lukket.	Åpne spaken.

Feil	Mulig årsak	Løsning
Stempelføring kan ikke monteres.	Stempelføringen er plassert feil.	Sett inn stempelføringen i riktig stilling.
Tungt å foreta utkast.	Maskinen er tilsmusset.	Rengjør maskinen. Se kapittel: 8.2.2 Rengjøre stempelføring 18 19 20 21

10 Avhending



no

De fleste Hilti-verktøy og -apparater er laget av resirkulerbare materialer. En forutsetning for resirkulering er at delene tas fra hverandre. Norge har en ordning for å ta apparater tilbake for resirkulering. Trenger du mer informasjon, kontakt Motek. Hvis du vil sende verktøyet til resirkulering selv: Følg de regionale og internasjonale retningslinjene og forskriftene.

11 Produsentgaranti apparater

Motek garanterer levering av et apparat som er fritt for material- eller fabrikkasjonsfeil i et år fra fakturadato. Garantien gjelder under forutsetning av at apparatet er korrekt benyttet og vedlikeholdt i henhold til bruksanvisningen og at det kun brukes originalt Hilti forbruksmaterial, tilbehør og deler eller andre kvalitativt likeverdige produkter med apparatet.

Denne garantien omfatter gratis reparasjon eller utskiftning av defekte deler i hele apparatets levetid. Defekter som skyldes naturlig slitasje på apparatet faller ikke inn under garantibestemmelsene.

Så fremt ikke nasjonale forskrifter tilsier noe annet, er ytterligere krav utelukket. Motek garanterer ikke under noen omstendighet for direkte, indirekte skader, følgeskader, tap eller kostnader i forbindelse med bruken av apparatet eller uriktig bruk av apparatet, uavhengig av årsak. Indirekte løfter om apparatets bruksmuligheter ligger ettertrykkelig utenfor garantiens bestemmelser.

Reparasjoner eller endringer skal kun utføres av Moteks servicesentra.

Dette er Moteks garantiforpliktelse. Denne er overordnet tidligere og samtidige forpliktelser, det være seg skriftlige eller muntlige.

12 EF-samsvarserklæring (original)

Betegnelse:	Boltepistol
Typebetegnelse:	DX 76
Generasjon:	01
Produksjonsår:	2004

Vi erklærer herved at dette produktet overholder følgende normer og retningslinjer: 2006/42/EF, 2011/65/EU.

Hilti Corporation, Feldkircherstrasse 100,
FL-9494 Schaan



Norbert Wohlwend
Head of Quality & Processes
Management
BU Direct Fastening
04/2013



Tassilo Deinzer
Head of BU Direct Fastening
BU Direct Fastening
04/2013

Teknisk dokumentasjon hos:

Hilti Entwicklungsgesellschaft mbH
Zulassung Elektrowerkzeuge
Hiltistrasse 6
86916 Kaufering
Deutschland

no

13 Bekreftelse av CIP-test

Hilti DX 76 er blitt system- og typegodkjent. Som et resultat av dette har verktøyet fått PTB-godkjenning med godkjenningsnummer S 813. Dermed garanterer

Hilti overensstemmelsen med den godkjente typen. Uakseptabel behandling og mangler må rapporteres til ansvarlig person ved godkjenningsinstituttene PTB og C.I.P.

14 Brukerens helse og sikkerhet

14.1 Informasjon ang. støy

Patrondrevent boltepistol

Type	DX 76
Modell	Serie
Kaliber	6.8/18 blå
Effektinnstilling	4
Bruk	Innfesting på 8 mm stål (400 MPa) med X-ENP 19 L15MX

Oppgitte måleverdier for støyverdier ifølge Maskindirektivet 2006/42/EØS i forbindelse med E DIN EN 15895

Lydeffektnivå, L_{WA} , 1s ¹	114 dB (A)
Avgitt lydtrykk på arbeidsplassen, L_{pA} , 1s ²	110 dB (A)
Maksimalt avgitt lydtrykk, L_{pC} , peak ³	139 dB (C)

¹ ± 2 dB (A)

² ± 2 dB (A)

³ ± 2 dB (C)

Betingelser for drift og oppstilling: Oppstilling og drift av boltepistolen ifølge E DIN EN 15895-1 i refleksjonsdempet testrom hos Müller-BBM GmbH. Omgivelsesbetingelsene i testrommet tilsvarer DIN EN ISO 3745.

Testprosedyre: Ifølge E DIN EN 15895, DIN EN ISO 3745 og DIN EN ISO 11201, prosess med omsluttende flater på reflekterende grunnflate.

MERKNAD: Den målte støyen og de tilhørende måleusikkerhetene representerer den øvre grensen for forventede støyverdier ved måling.

Avvikende arbeidsbetingelser kan føre til andre emisjonsverdier.

14.2 Vibrasjon

Den samlede vibrasjonsverdien som skal angis ifølge 2006/42/EF, overskrider ikke 2,5 m/s².

Ytterligere informasjon i forhold til brukerens helse og sikkerhet finnes på Hilti internettsider, www.hilti.com/hse.

Panosnaulain DX 76

Lue ehdottomasti tämä käyttöohje ennen laitteen käyttämistä.

Säilytä käyttöohje aina laitteen mukana.

Varmista, että käyttöohje on laitteen mukana, kun luovutat laitteen toiselle henkilölle.

Sisällysluettelo	Sivu
1 Turvallisuusohjeet	99
2 Yleisiä ohjeita	101
3 Kuvaus	102
4 Lisävarusteet ja kulutusmateriaali	104
5 Tekniset tiedot	104
6 Käyttöönotto	104
7 Käyttö	105
8 Huolto ja kunnossapito	108
9 Vianmääritys	109
10 Hävittäminen	112
11 Laitteen valmistajan myöntämä takuu	112
12 EU-vaatimustenmukaisuusvakuutus (originaali)	113
13 CIP-tarkastustodistus	113
14 Käyttäjän terveys ja turvallisuus	113

1 Numerot viittaavat kuviin. Tekstiin liittyvät kuvat löydät auki taitettavilta kansisivuilta. Pidä kansisivut auki käyttöohjetta lukiessasi.

Tämän käyttöohjeen tekstissä sana »kone« tarkoittaa aina panosnaulainta DX 76.

Koneen osat ja käyttöelementit **1**

Kone DX 76

- ① Naulalipas MX 76
- ② Painintappi
- ③ Suojakannen asennusaukko
- ④ Latauskahva
- ⑤ Panoskamman kuilu
- ⑥ Lataustilan tarkastusikkuna
- ⑦ Tehonsäätöpyörä
- ⑧ Tehonsäädön ilmaisin
- ⑨ Suojus (tukipehmuste)
- ⑩ Koneen kuorikotelo
- ⑪ Kahvapehmuste
- ⑫ Liipaisin
- ⑬ Männänohjaimen irrotusvipu
- ⑭ Liukuholkki
- ⑮ Lipasrunko
- ⑯ Naulalippaan suojus
- ⑰ Rajoitin (elementti)
- ⑱ Tuuletusraot
- ⑲ Naulanohjain X-76-F-15
- ⑳ Koneen suojus

Kulutusosat

- ㉑ Mäntä
- ㉒ Männänrajoitin

1 Turvallisuusohjeet

1.1 Yleisiä turvallisuusohjeita

Tämän käyttöohjeen eri kappaleissa annettujen turvallisuusohjeiden lisäksi on aina ehdottomasti noudatettava seuraavia ohjeita.

1.1.1 Panosten käyttö finish

Käytä vain Hilti-panoksia tai vastaavanlaatuisia panoksia

Jos Hilti-työkaluissa käytetään heikompileatuksia panoksia, koneeseen saattaa kertyä palamattoman räjähdysaineen jäämiä, jotka räjähtävät yhtäkkiä ja voivat aiheuttaa vakavia vammoja koneen käyttäjälle ja hänen lähellään oleville henkilöille. Panosten on täytettävä jokin seuraavista minimivaatimuksista:

- a) Valmistajan on todistettava EU-standardin EN 16264 mukaisen testin läpäisy tai
- b) Niissä on CE-vaatimustenmukaisuusvakuutus (EU-maissa pakollinen heinäkuusta 2013 alkaen)

HUOMAUTUS

Kaikki panosnaulainten Hilti-panokset on testattu standardin EN 16264 mukaisesti. Standardissa EN 16264 määritetyt testit ovat järjestelmätestejä, jotka koskevat panosten ja työkalujen yhdistelmiä ja jotka suoritetaan sertifioiduissa tarkastuslaitoksissa. Työkalun nimi, tarkastuslaitoksen nimi ja järjestelmätestin numero on merkitty panosten pakkaukseen.

Ks. myös pakkauksen esimerkki osoitteessa: www.hilti.com/dx-cartridges

1.1.2 Henkilöturvallisuus

- a) **Ole valpas, kiinnitä huomiota työskentelyysi ja noudata tervettä järkeä kiinnitystyökalua käytäessäsi. Älä käytä sähkötyökalua, jos olet väsynyt tai huumeiden, alkoholin tai lääkkeiden vaikutuksen alaisena.** Hetkellisenkin varomattomuus

konetta käytettäessä saattaa aiheuttaa vakavia vammoja.

- b) Vältä hankalia työskentelyasentoja. Varmista, että seisot tukevalla alustalla ja säilytät aina tasapainosi.
- c) Älä koskaan suuntaa konetta itseäsi tai muita henkilöitä kohti.
- d) Älä paina konetta kättäsi tai muuta ruumiinosaasi vasten (tai vasten toisen henkilön kehää).
- e) Varmista, ettei työskentelyalueella ole muita henkilöitä, erityisesti pidä lapset poissa työskentelyalueelta.
- f) Pidä konetta käyttäessäsi käsivartesi hiukan kuskistettuina (älä käytä konetta kädet suorana).

1.1.3 Kiinnitystyökalujen käyttö ja hoito

- a) Käytä työhön sopivaa konetta. Älä käytä konetta muihin töihin kuin mihin se on tarkoitettu, vaan käytä sitä aina käyttötarkoituksen mukaisiin töihin, ja varmista, että se on moitteettomassa kunnossa.
- b) Paina kone suorassa kulmassa alusmateriaalia vasten.
- c) Älä koskaan jätä ladattua konetta ilman valvontaa.
- d) Tyhjennä kone aina ennen puhdistus-, huolto- ja ylläpitotöitä, töiden keskeytyessä ja koneen varastointia varten (panos ja kiinnityselementti).
- e) Kun työkalua ei käytetä, säilytä se kuivassa paikassa korkealla tai lukitussa laatikossa, jotta lapset eivät pääse siihen käsiksi.
- f) Tarkasta koneen ja lisävarusteiden mahdolliset vauriot. Ennen käyttämistä tarkasta huolellisesti, että suojalaitteet tai lievästi kuluneet osat toimivat moitteettomasti ja tarkoituksensa mukaisesti. Tarkasta, että liikkuvat osat toimivat moitteettomasti eivätkä ota kiinni mihinkään ja että osat ovat kunnossa. Kaikkien osien pitää olla kunnolla asennettuna ja moitteettomassa toimintakunnossa, jotta kone voi toimia kunnolla. Vaurioituneet suojalaitteet ja osat on korjattava tai vaihdettava ammattitaitoisessa Hilti-huollossa, ellei käyttöohjeessa muita ohjeita anneta.
- g) Laukaise kone vain, kun se on kohtisuoraan painettuna pohjamateriaalin pintaa vasten.
- h) Pidä koneesta aina tukevasti kiinni ja kohdista se suoraan kulmaan alustaan nähden kiinnitystä tehdessäsi. Näin vältät kiinnityselementin taipumisen.
- i) Älä koskaan yritä kiinnittää samaa kiinnityselementtiä toisen kerran laukaisemalla, sillä tämä voi vaurioittaa kiinnityselementtiä tai aiheuttaa sen juuttumisen.
- j) Älä koskaan käytä kiinnittämiseen materiaalissa olevaa valmistaja reikää, ellei Hilti erityisesti ole tätä tapaa suositellut.
- k) Noudata aina koneen käyttösuosituksia.
- l) Käytä aina suojuksia, jos olosuhteet sen vain sallivat.
- m) Älä vedä lipasta tai naulanohjainta kädellä taaksepäin, sillä se saattaa tehdä koneen laukaisuvalmiiksi. Tällöin naulan pystyy ampumaan myös ruumiinosaan.

1.1.4 Työpaikka



- a) Varmista työpaikan hyvä valaistus.
- b) Käytä konetta vain hyvin tuuletetuissa tiloissa.
- c) Älä kiinnitä koneella kiinnityselementtejä soveltumattomiin materiaaleihin. Materiaali on liian kova, esimerkiksi hitsattu teräs ja valuteräs. Materiaali on liian pehmeä, esimerkiksi puu ja kipsikartonki. Materiaali on liian hauras, esimerkiksi lasi ja laatat. Kiinnittäminen näihin materiaaleihin voi rikkoa kiinnityselementin, aiheuttaa sirpaleiden sinkoutumista tai kiinnityselementti voi mennä kokonaan materiaalin läpi.
- d) Älä kiinnitä naulaa lasiin, marmoriin, muovin, pronssiin, messinkiin, kupariin, kiveen, eristysmateriaaliin, onttoon tilieen, keraamiseen tilieen, ohueen peltiin (< 3 mm), valurautaan tai kaasubetonin.
- e) Varmista ennen koneen käyttämistä, ettei kukaan ole kiinnityskohdan takana tai alapuolella.
- f) Pidä työskentelyalue hyvässä järjestyksessä. Varmista, ettei työskentelyalueella ole esineitä, joihin saattaisit loukata itsesi. Työskentelyalueen epäjärjestys lisää onnettomuusrisiä.
- g) Pidä käsikahvat kuivina, puhtaina, öljyttöminä ja rasvattomina.
- h) Käytä pitäväpohjaisia kenkiä.
- i) Ota ympäristökijät huomioon. Älä jätä konetta sateeseen äläkä käytä konetta kosteassa tai märässä ympäristössä. Älä käytä konetta paikoissa, joissa on tulipalo- tai räjähdysvaara.

1.1.5 Mekaaniset turvallisuustoimenpiteet



- a) Valitse oikea naulanohjain-kiinnityselementti-yhdistelmä. Jos et käytä oikeaa yhdistelmää, seurauksena saattaa olla loukkaantumisia, laitteen vaurioituminen ja / tai kiinnityksen riittämätön laatu.
- b) Käytä vain kiinnityselementtejä, jotka on tarkoitettu tähän koneeseen.
- c) Älä lisää kiinnityselementtejä lippaaseen, jos lipas ei ole kunnolla kiinni koneessa. Kiinnityselementit saattavat sinkoutua.
- d) Älä käytä kulunutta männänrajoitinta äläkä tee mäntään minkäänlaisia muutoksia.

1.1.6 Kuumuteen liittyvät turvatoimenpiteet



- a) Anna kuumuteen koneen jäähtyä. Älä ylitä suurinta sallittua käyttönopeutta.

- b) Käytä ehdottomasti suojakäsineitä, kun teet laitteen huoltotöitä, ellet anna laitteen ensin jäähtyä.
- c) Jos muovinen panoskampa alkaa sulaa, anna koneen jäähtyä.

1.1.7 Räjähdysvaara



- a) Käytä vain panoksia, jotka on tarkoitettu tähän koneeseen.
- b) Poista panoskampa varovasti koneesta.

- c) Älä yritä irrottaa panosta kammasta tai koneesta väkivalloin.
- d) Säilytä käyttämättömät panokset kuivassa paikassa korkealla tai lukitussa laatikossa, jotta lapset eivät pääse niihin käsiksi.

1.1.8 Henkilökohtainen suojavarustus



Koneen käyttämisen ja vian korjaamisen aikana koneen käyttäjän ja välittömässä läheisyydessä olevien henkilöiden on käytettävä suojalaseja, suojakypärää ja kuulosuojaimia.

2 Yleisiä ohjeita

2.1 Varoistekstit ja niiden merkitys

VAKAVA VAARA

Varoittaa vaaratilanteesta, josta voi seurauksena olla vakava loukkaantuminen tai jopa kuolema.

VAARA

Varoittaa vaaratilanteesta, josta voi seurauksena olla vakava loukkaantuminen tai kuolema.

VAROITUS

Varoittaa vaaratilanteesta, josta voi seurauksena olla loukkaantuminen, vaurioituminen tai aineellinen vahinko.

HUOMAUTUS

Antaa toimintaohjeita tai muuta hyödyllistä tietoa.

2.2 Symboleiden ja muiden huomautusten merkitys

Varoitussymbolit



Yleinen varoitus



Vaara: räjähdys-
dysherkkiä
aineita



Varoitus:
kuuma pinta

Ohjesymbolit



Käytä suojalaseja



Käytä suojakypärää



Käytä kuulosuojaimia



Käytä suojakäsineitä



Lue käyttöohje ennen käyttämistä

Laitteen tunnistetietojen sijainti

Tyyppimerkinnän ja sarjanumeron löydät laitteen tyyppikilvestä. Merkitse nämä tiedot myös laitteesi käyttöohjeeseen ja ilmoita nämä tiedot aina kun otat yhteyttä Hilti-myyntiedustajaan tai Hilti-asiakaspalveluun.

Tyyppi:

Sukupolvi: 01

Sarjanumero:

3 Kuvaus

3.1 Määräystenmukainen käyttö

Kone on tarkoitettu ammattilaisen käyttöön kiinnityselementtien kiinnittämiseen teräkseen rakennustyömailla.

Konetta saa käyttää vain käsiohjauksessa.

Koneeseen ei saa tehdä minkäänlaisia muutoksia.

Konetta ei saa käyttää tilassa, jossa on herkästi räjähtäviä tai herkästi syttyviä aineita, ellei sitä erikseen ole hyväksytty tällaisissa olosuhteissa käytettäväksi.

Loukkaantumisaarasta välttämiseksi käytä koneessa vain alkuperäisiä Hilti-kiinnityselementtejä, -panoksia, -tarvikkeita ja -varaosia, tai laadultaan samantasoisia tuotteita.

Noudata käyttöohjeessa annettuja käyttöä, huoltoa ja kunnossapittoa koskevia ohjeita.

Kone ja sen varusteet saattavat aiheuttaa vaaratilanteita, jos kokemattomat henkilöt käyttävät konetta ohjeiden vastaisesti tai muutoin asiattomasti.

Laitetta saa käyttää, huoltaa tai korjata vain valtuutettu, koulutettu henkilö. Käyttäjän pitää olla hyvin perillä laitteen käyttöön liittyvistä vaaroista.

Kaikkien panosnaulaimien tapaan kone, lipas, panokset ja kiinnityselementit muodostavat yhden teknisen kokonaisuuden. Tämä tarkoittaa, että kiinnittämiset tällaisella kokonaisuudella voidaan tehdä ongelmitta vain, jos käytetään erityisesti kyseiseen koneeseen tarkoitettuja Hilti-kiinnityselementtejä ja panoksia tai vastaavia samanlaatuisia tuotteita. Hiltin antamat kiinnitys- ja käyttösuositukset pätevät vain näitä ohjeita noudatettaessa.

Koneessa on viisikertainen suojaus. Koneen käyttäjä ja työskentely-ympäristön turvallisuuden varmistamiseksi.

3.2 Mäntäperiaate ja männänrajoitin

Räjähdyspanoksen energia kohdistuu mäntään, jonka kiihdytetty massa työntää naulan alusmateriaaliin. Mäntäperiaatteen ansiosta tämä kone on luokiteltu työkaluluokkaan "Low Velocity Tool" (hitaalla lähtönopeudella toimiva työkalu). Noin 95 % räjähdysenergiasta muuttuu männän kineettiseksi energiaksi. Koska mäntä aina pysähtyy jokaisen kiinni ampumisen yhteydessä, ylimääräinen energia jää koneeseen. Siten konetta oikein käytettäessä vaaralliset läpilyönnit kiinnityselementin jopa yli 100 m/s:n lähtönopeudella ovat käytännössä mahdottomia.

3.3 Pudotusvarmistus

Laukaisumekanismi on kytketty painomekanismiin, joten kone ei voi lauetta pudotessaan. Jos kone putoaa kovalle pinnalle, osumiskulmasta riippumatta laukeamista ei voi tapahtua.

3.4 Liipaisinvarmistus

Liipaisinvarmistuksen ansiosta pelkkä liipaisimen painaminen ei laukaise konetta. Voit laukaista koneen vain, kun kone liipaisinta painettaessa on koko alaltaan painettuna kiinteää pintaa vasten.

3.5 Painovarmistus

Painovarmistus edellyttää, että konetta painetaan alustaa vasten vähintään 50 N:n voimalla, joten koneen voi laukaista vain kun se on tällä tavoin kiinnitysalueen vasten painettuna.

3.6 Laukaisuvarmistus

Koneessa on lisäksi myös laukaisuvarmistus. Tämä tarkoittaa, että panosta ei voi laukaista pelkästään liipaisinta painamalla. Voit laukaista koneen ainoastaan siten, että painat ensin koneen pintaa vasten ja vasta sitten painat liipaisinta.

3.7 Koneen DX 76 käyttökohteet ja kiinnityselementit

Profiilipeltien kiinnitys teräkseen, teräksen vahvuus 6 mm - täysteräs

Ohjelma	Tilausnimi	Huomautus
Kiinnityselementit	X-ENP-19 L15 MX	10 naulaa per lipaskampa
Naulalipas	MX 76	
Mäntäsetti	X-76-P-ENP	

Ohjelma	Tilausnimi	Huomautus
Kiinnityselementit	X-ENP-19 L15	Yksittäisnaula
Yksittäisnaulanojain	X-76-F-15	

Profiilipeltien kiinnitys teräkseen, teräksen vahvuus 3-6 mm

Ohjelma	Tilausnimi	Huomautus
Kiinnityselementit	ENP2K-20 L15 MX	10 naulaa per lipaskampa
Naulalipas	MX 76	
Mäntä	X-76-P-ENP2K	

Ohjelma	Tilausnimi	Huomautus
Kiinnityselementit	ENP2K-20 L15	Yksittäisnaula
Yksittäisnaulanhjain	X-76-F-15-P	

Yhdistelmäankkureiden kiinnitys

Ohjelma	Tilausnimi	Huomautus
Kiinnityselementit	X-ENP-21 HVB	2 kpl per yhdistelmäankkuri
Yhdistelmäankkuri	X-HVB 50/ 80/ 95/ 110/ 125/ 140	
Naulanhjain	X-76-F-HVB	
Mäntä	X-76-P-HVB	

Profiilipellin kiinnitys betoniin (DX-Kwik)

Ohjelma	Tilausnimi	Huomautus
Kiinnityselementit	NPH2-42 L15	
Naulanhjain	X-76-F-Kwik	
Mäntä	X-76-P-Kwik	
Olakeporanterä	TX-C 5/23	Olakeporanterä reiän esiporaukseen

Ritiläkiinnityselementit (halkaisija 10 mm)

Ohjelma	Tilausnimi	Huomautus
Kiinnityselementit	EM8-15FP10, X-CRM8-15 FP10/ X-CR M8	Tuotteiden X-FCM, X-FCM-F, X-FCM-R, X-FCP-F, X-FCP-R asentamiseen
Naulanhjain	X-76-F-10	
Mäntä	X-76-P-GR	
Työnnin	Työnnin	Kiinnityselementin takaisin työntämiseen
Keskitin	Keskitin 25	Naulanhjaimelle X-76-F-10
Keskitin	Keskitin 30	Naulanhjaimelle X-76-F-10

Kiinnityselementit (halkaisija 10 mm) erilaisiin kiinnityksiin teräs- ja betonialusmateriaaleihin

Ohjelma	Tilausnimi	Huomautus
Kiinnityselementit	DS 27-37, DSH 57 P10	Naulat puulistojen kiinnittämiseen betoni- ja teräsrakenteisiin, 62 mm:n mitasta alkaen naulat on esilyötävä
Kiinnityselementit	EDS 19-27 P10	Naulat puulistojen kiinnittämiseen teräsrakenteisiin
Kiinnityselementit	EW10-30 P10, X-EW10-27 P10, X-EM10-24 P10	10 mm tapit teräsalusmateriaaleille
Naulanhjain	X-76-F-10	
Mäntä	X-76-P-10	

4 Lisävarusteet ja kulutusmateriaali

Nimi	Tuotenumero, kuvaus
Hilti-kantolaukku	DX 76 KD, Suuri laukku jossa lukittava panoslokerio
Lipaslaitteen laukku	DX 76 MX
Puhdistussetti	DX 76 / 860-ENP, Litteä harja, pyöreä harja \varnothing 25, pyöreä harja \varnothing 8, puhdistuspuikko, puhdistusliina
Hilti-spray	
Mäntä ja männänrajoitin -sarja	X-76-PS
Naulalippaan suojus ja yksittäisnaulanohjaimet	
Tarkastusmitta DX 76	

Panostyyppi	Tilausnimi
Voimakkain panos (USA)	6.8/18 M musta (purppura)
Erikoisvoimakas panos	6.8/18 M musta
Erittäin voimakas panos	6.8/18 M punainen
Huippuvahva	6.8/18 M sininen
Heikko panos	6.8/18 M vihreä

5 Tekniset tiedot

Oikeudet teknisiin muutoksiin pidätetään!

HUOMAUTUS

* Häiriötöntä käyttöä varten.

Kone	DX 76 MX
Paino lippaan kanssa	4,35 kg
Mitat (P x L x K)	450 mm x 101 mm x 352 mm
Lippaan kapasiteetti	10 kiinnikettä
Painosyvyys	32 mm
Painamisvoima	190...240 N
Käyttölämpötila / ympäristön lämpötila	-15... +50 °C
Suurin keskimääräinen käyttönopeus*	600/h

6 Käyttöönotto



HUOMAUTUS

Lue käyttöohje ennen käyttöönottoa.

6.1 Koneen tarkastus

Varmista, ettei koneessa ole panoskampaa. Jos koneessa on panoskampaa, liikuta sitä toistokahvaa useita

kertoja käyttämällä siten, että voit tarttua kampaan sen ulostulopuolelta, ja vedä panoskampa sitten pois koneesta.

Tarkasta säännöllisin välein koneen ulkoisten osien sekä kaikkien käyttö- ja hallintalaitteiden kunto ja toiminta. Älä käytä konetta, jos sen osissa on vaurioita tai jos käyttölaitteet eivät toimi moitteettomasti. Korjauta kone valtuutetussa Hilti-huollossa.

Tarkasta männän ja männänrajoittimen oikea asennus ja kuluneisuus.

7 Käyttö



HUOMAUTUS

Kun pidät laitteesta kiinni toisella kädellä, aseta kätesi siten, ettet peitä laitteen tuuletusrakoa tai aukkoja.

VAARA

Naulainta käytettäessä saattaa sirpaleita singota kiinnityspinnasta tai lippaan osista. **Käytä silmäsuojaimia ja suojakypärää ja varmista, että myös muut työskentelyalueella olevat henkilöt käyttävät näitä suojarusteita.** Sirpaleet saattavat aiheuttaa vammoja ja vahingoittaa silmiä.

VAROITUS

Kiinnityselementti ammutaan kiinni räjähdyspanoksen laukeamisen synnyttämällä voimalla. **Käytä kuulosuojia ja varmista, että myös muut työskentelyalueella olevat henkilöt suojaavat kuulonsa.** Liian voimakas melu voi vaurioittaa kuuloasi.

VAARA

Koneen painaminen kehon osaa (esimerkiksi kättä) vasten saattaa koneen laukaisuvalmiiksi. Kun kone on laukaisuvalmis, naulan saattaa vahingossa pystyä ampumaan myös kehon osaan (naulan tai männän aiheuttama loukkaantumisvaara). **Älä koskaan paina konetta kehon mitään osaa vasten.**

VAROITUS

Älä koskaan yritä kiinnittää samaa kiinnityselementtiä toisen kerran laukaisemalla, sillä tämä voi vaurioittaa kiinnityselementtiä tai aiheuttaa sen juuttumisen.

VAROITUS

Älä koskaan käytä kiinnittämiseen materiaalissa olevaa valmista reikää, ellei Hilti erityisesti ole tätä tapaa suositellut.

VAROITUS

Anna kuumentuneen koneen jäähtyä. Älä ylitä suurinta sallittua käyttönopeutta.

7.1 Käyttö

Kiinnitysohjeet. Noudata aina näitä käyttösuosituksia.

HUOMAUTUS

Yksityiskohtaisia ohjeita löydät Hiltin kiinnitystekniikkaoppaasta, jota on saatavana Hilti-edustajaltasi, sekä maakohtaisista määräyksistä.

7.2 Toiminta jos panos laukeaa väärin

Jos laite laukeaa virheellisesti tai jos panos ei laukea, toimi aina seuraavasti:

Pidä laite 30 sekunnin ajan kiinnityspintaa vasten painettuna.

Jos panos ei vieläkään lauennut, nosta laite kiinnityspinnalta ja varmista täällin, ettet suuntaa laitetta kohti itseäsi tai muita henkilöitä.

Liikuta panoskamppa seuraavaa laukaisua varten yhden panoksen verran taaksepäin; käytä panoskamman loput panokset; irrota tyhjentyneet panoskamppa ja hävitä se siten, ettei sitä enää voi käyttää uudelleen tai väärin.

7.2.1 Kiinnityselementtikamman asettaminen lippaaseen 2

Työnnä kiinnityselementtikamppa lippaaseen ylhäältä siten, että viimeisen elementin pyöreä osa tarttuu lippaaseen.

7.2.2 Panosten valinta 3

1. Määritä teräksen lujuus ja alusmateriaalin vahvuus.
2. Valitse sopiva panos ja tehoasetus panossuosituksen mukaisesti.

HUOMAUTUS Yksityiskohtaiset panossuositukset saat tarkastuslaitoksilta, ja löydät ne myös Hiltin kiinnityskäsikirjasta.

7.2.3 Panoskamman kiinnitys 4

Työnnä panoskamppa kokonaan koneen sivussa olevaan panoskampakuiluun.

7.2.4 Kiinnittäminen lipaslaitteella 5

1. Paina kone suorassa kulmassa alusmateriaalia vasten.
2. Laukaise kone painamalla liipaisinta.
3. Seuraavan laukaisun tekemiseksi työnnä latauskahvaa taaksepäin ja työnnä sitä sitten taas eteenpäin.

7.2.5 Naulan kiinnityssyvyyden tarkastus ja asetus 6 7

HUOMAUTUS

Säädä koneen tehoasetus kiertämällä tehonsäätöpyörää. (teho 1 = minimi; teho 4 = maksimi)

1. Tarkasta naulan kiinnityssyvyys tarkastusmitalla.
2. Jos kiinnityselementti ei painunut riittävän syvään, lisää koneen tehoa. Säädä koneen tehoasetus yhtä pykälää suuremmaksi. Jos kiinnityselementti painui liian syvään, vähennä koneen tehoa. Säädä koneen tehoasetus yhtä pykälää pienemmäksi.
3. Laukaise yksi kiinnityselementti.
4. Tarkasta naulan kiinnityssyvyys tarkastusmitalla.

5. Jos kiinnityselementti ei vieläkään painunut riittävän syväälle tai jos kiinnityselementti painui vieläkin liian syväälle, toista edellä kuvatut vaiheet 2 - 4 ja toista koeammunta, kunnes kiinnityselementin kiinnityssyvyys on oikea. Tarvittaessa käytä vahvempaa tai heikompaa panosta.

7.3 Koneen tyhjentäminen

7.3.1 Panosten poistaminen koneesta 8

VAARA

Älä yritä irrottaa panosta kammasta tai koneesta väkivalloin.

1. Työnnä panoskampaa käyttämällä toistokahvaa useita kertoja, kunnes panoskampa näkyy kamman ulostuloaukossa.
2. Vedä panoskampa pois kamman ulostuloaukosta.

7.3.2 Kiinnityselementtikamman poistaminen lippaasta 9

VAARA

Varmista, ettei koneessa ole panoskampaa. Jos koneessa on panoskampa, liikuta sitä toistokahvaa useita kertoja käyttämällä siten, että panoskampa tulee näkyviin, ja sitten vedä kädellä panoskampa pois panoskamman aukosta.

VAROITUS

Jousivoima painaa elementtikamman ulos.

1. Paina kiinnityselementtikampa 5 mm syvemmälle lippaaseen ja pidä se tässä asennossa.
2. Työnnä peukalolla punainen rajoitin eteenpäin ja pidä se tässä asennossa.
3. Poista kiinnityselementtikampa lippaasta.

7.4 Naulalippaan tai naulanohjaimen (lisävaruste) vaihto

7.4.1 Irrotus 10

VAARA

Laitteessa ei saa olla panoksia. Naulalippaassa tai naulanohjaimessa ei saa olla kiinnityselementtejä.

VAROITUS

Koneen käyttämisen jälkeen käsiteltävät pinnat saattavat olla erittäin kuumia. Käytä ehdottomasti suojaesineitä, kun teet koneen seuraavia huoltotöitä, ellei anna koneen ensin jäähtyä.

1. Varmista, että latauskahva on perusasennossaan.
2. Kierrä naulanohjain (tai naulalipas) irti.
3. Poista mäntä männänohjaimesta ja männänrajoitin naulalippaasta.

7.4.2 Kiinnitys 11

1. Aseta männänrajoitin oikeaan asentoon asennettavaan naulanohjaimen (tai naulalippaaseen).
2. Varmista, että latauskahva on perusasennossaan.
3. Aseta sopiva mäntä koneen männänohjaimen.

4. Kierrä naulanohjain (tai naulalipas) rajoittimeen saakka kiinni männänohjaimen ja kierrä sitä takaisinpäin lukittumiseen saakka.
5. Tee latausliike latauskahvasta.

7.5 Kiinnittäminen yksittäisnaulanohjainta (lisävaruste) käyttäen

VAARA

Varmista, että laitteen suojuus on asennettu.

7.5.1 Kiinnityselementin asettaminen yksittäisnaulaimeen 12

1. Käännä konetta siten, että naulanohjain osoittaa ylöspäin.
2. Ohjaa kiinnityselementti ylhäältäpäin koneeseen.

7.5.2 Panosten valinta 13

1. Määritä teräksen lujuus ja alusmateriaalin vahvuus.
 2. Valitse sopiva panos ja tehoasetus panossuosituksen mukaisesti.
- HUOMAUTUS** Yksityiskohtaiset panossuositukset saat tarkastuslaitoksilta, ja löydät ne myös Hiltin kiinnityskäsikirjasta.

7.5.3 Panoskamman kiinnitys 14

Työnnä panoskampa kokonaan koneen sivussa olevaan panoskampakuiluun.

7.5.4 Kiinnittäminen yksittäisnaulainta käyttäen

1. Paina laite suorassa kulmassa alusmateriaalia vasten.
2. Laukaise laite painamalla liipaisinta.
3. Seuraavan laukaisun tekemiseksi työnnä latauskahvaa taaksepäin ja työnnä sitä sitten taas eteenpäin.

7.5.5 Naulan kiinnityssyvyyden tarkastus ja asetus 15 17

HUOMAUTUS

Sääda koneen tehoasetus kiertämällä tehonsäätöpyörää. (teho 1 = minimi; teho 4 = maksimi)

Tarkasta naulan kiinnityssyvyys ja tehoasetus kappaleen 7.2.5 "Naulan kiinnityssyvyyden tarkastus ja asetus" mukaisesti.

7.6 Yhdistelmäankkurin (tarvike) kiinnittäminen 18 19

VAARA

Varmista, että laitteen suojuus on asennettu.

7.6.1 Kiinnityselementin asettaminen HVB-naulanohjaimen

HUOMAUTUS

Ensimmäisen kiinnityselementin kiinnittäminen yhdistelmäankkuriin

1. Kiinnitä HVB-naulanhjain kappaleen 7.4 "Naulalip- paan tai naulanhjaimen (lisävaruste) vaihto / asen- nus" mukaisesti.
2. Siirrä luistia, kunnes se lukittuu ja numero 1 on näkyvissä.
3. Käännä konetta siten, että naulanhjain osoittaa ylöspäin.
4. Ohjaa kiinnityselementti ylhäältäpäin koneen merkit- tyyn aukkoon.

7.6.2 Panoskamman kiinnitys 4

HUOMAUTUS

HVB-yhdistelmäankkureiden kiinnittämiseen suositamme mustia tai joissakin tapauksissa myös punaisia panoksia. Yksityiskohtaiset panossuositukset saat tarkastuslaitok- silta, ja löydät ne myös Hiltin kiinnityskäsikirjasta.

Työnnä panoskampa kokonaan koneen sivussa olevaan panoskampakuiluun.

7.6.3 Kiinnittäminen HVB-naulanhjainta käyttäen 14

1. Aseta pohjalevyyn yhdistelmäankkuri. Se pysyy pai- kallaan magneetin pitämänä.
2. Paina kone suorassa kulmassa alusmateriaalia vas- ten.
3. Laukaise kone painamalla liipaisinta.
4. Seuraavan laukaisun tekemiseksi työnnä latauskah- vaa taaksepäin ja työnnä sitä sitten taas eteenpäin.

7.6.4 Naulan kiinnityssyvyyden tarkastus ja asetus 6 7

HUOMAUTUS

Sääädä koneen tehoasetus kiertämällä tehonsäätöpyörää. (teho 1 = minimi; teho 4 = maksimi)

Tarkasta naulan kiinnityssyvyys ja tehoasetus kappaleen 7.2.5 "Naulan kiinnityssyvyyden tarkastus ja asetus" mu- kaisesti.

7.6.5 Toisen kiinnityselementin asettaminen HVB- naulanhjaimen 15

HUOMAUTUS

Toisen kiinnityselementin kiinnittäminen yhdistelmäank- kuriin

1. Siirrä luistia, kunnes se lukittuu ja numero 2 on näkyvissä.
2. Käännä konetta siten, että naulanhjain osoittaa ylöspäin.
3. Ohjaa kiinnityselementti ylhäältäpäin koneen merkit- tyyn aukkoon.

7.6.6 Kiinnittäminen HVB-naulanhjainta käyttäen 14

1. Ohjaa pohjalevy kaareen ja paina kone suorassa kulmassa pintaa vasten.
2. Laukaise kone painamalla liipaisinta.
3. Seuraavan laukaisun tekemiseksi työnnä latauskah- vaa taaksepäin ja työnnä sitä sitten taas eteenpäin.

7.7 Ritilöiden (tarvike) kiinnitys

VAARA

Varmista, että laitteen suojus on asennettu.

7.7.1 Kiinnityselementin asettaminen ritilänaulanhjaimen (F8)

1. Kiinnitä ritilänaulanhjain kappaleen 7.4 "Naulalip- paan tai naulanhjaimen (lisävaruste) vaihto / asen- nus" mukaisesti.
2. Käännä laitetta siten, että naulanhjain osoittaa ylö- päin.
3. Ohjaa kiinnityselementti ylhäältäpäin laitteeseen.

7.7.2 Panoskamman kiinnitys 4

Työnnä panoskampa kokonaan koneen sivussa olevaan panoskampakuiluun.

7.7.3 Kiinnittäminen ritilänaulanhjainta käyttäen 16

1. Paina kone suorassa kulmassa alusmateriaalia vas- ten.
2. Laukaise kone painamalla liipaisinta.
3. Jos mahdollista, tarkasta tunkeutumissyvyys tarkas- tamalla naulan kiinnityssyvyys.
4. Jos käytät laippaa, kierrä kiinnipitolaippa kiinni (ki- ristystiukkuus 5 - 8 Nm).
5. Seuraavan laukaisun tekemiseksi työnnä latauskah- vaa taaksepäin ja työnnä sitä sitten taas eteenpäin.

7.7.4 Naulan kiinnityssyvyyden tarkastus ja asetus 6 7

HUOMAUTUS

Sääädä koneen tehoasetus kiertämällä tehonsäätöpyörää. (teho 1 = minimi; teho 4 = maksimi)

Tarkasta naulan kiinnityssyvyys ja tehoasetus kappaleen 7.2.5 "Naulan kiinnityssyvyyden tarkastus ja asetus" mu- kaisesti.

7.8 Kiinnittäminen naulanhjainta F10 käyttäen

VAARA

Varmista, että laitteen suojus on asennettu.

Kun kiinnität naulanhjainta F10 käyttäen, toimi kuten ritiläkiinnityksessä (ks. kappale 7.7.).

7.9 Profiilipellin kiinnitys betoniin (tarvike DX Kwik)

VAARA

Varmista, että laitteen suojus on asennettu.

7.9.1 Kiinnityselementin asettaminen DX Kwik - naulanhjaimen

1. Kiinnitä DX Kwik -naulanhjain kappaleen 7.4 "Nau- lalippaan tai naulanhjaimen (lisävaruste) vaihto / asennus" mukaisesti.
2. Käännä konetta siten, että naulanhjain osoittaa ylöspäin.
3. Ohjaa kiinnityselementti ylhäältäpäin koneeseen.

7.9.2 Panoskammen kiinnitys

HUOMAUTUS

Kun kiinnität profiilipeltejä betoniin, suositamme sinisten panosten käyttämistä. Yksityiskohtaiset panosuositukset saat tarkastuslaitoksilta, ja löydät ne myös Hiltin kiinnityskäsikirjasta.

Työnnä panoskampa kokonaan laitteen sivussa olevaan panoskampakuiluun.

7.9.3 Kiinnittäminen DX Kwik -naulanhajainta käyttäen 17

1. Poraa profiilipeltiin ja betonialusmateriaaliin esireikä olakeporanterällä.

2. Ohjaa naulanhajaimesta esillä oleva naula esiporat- tuun reikään ja paina kone suorassa kulmassa pintaa vasten.
3. Laukaise kone painamalla liipaisinta.
4. Seuraavaan laukaisun tekemiseksi työnnä latauskah- vaa taaksepäin ja työnnä sitä sitten taas eteenpäin.

7.9.4 Naulan kiinnityssyvyyden tarkastus ja asetus 6 7

HUOMAUTUS

Sääda koneen tehoasetus kiertämällä tehonsäätöpyörää. (teho 1 = minimi; teho 4 = maksimi)

Tarkasta naulan kiinnityssyvyys ja tehoasetus kappaleen 7.2.5 "Naulan kiinnityssyvyyden tarkastus ja asetus" mu- kaisesti.

fi

8 Huolto ja kunnossapito



VAROITUS

Koneen rakenteen ja toimintatavan vuoksi tietyt osat li- kaantuvat ja kuluvat ajan myötä. **Jotta voit aina käyt- tää konetta luotettavasti ja turvallisesti, tarkasta ja huolla koneesi säännöllisin välein.** Suositamme puh- distamaan koneen ja tarkastamaan männän ja män- nänrajoittimen vähintään kerran päivässä, jos konetta käytetään jatkuvasti, tai viimeistään 3 000 laukaisun jälkeen!

VAARA

Laitteessa ei saa olla panoksia. Naulalippaassa tai naulanhajaimessa ei saa olla kiinnityselementtejä.

VAROITUS

Kone saattaa käytön myötä kuumentua. Saatat polttaa kätesi. **Käytä suojahansikkaita tehdessäsi hoito- ja huoltotöitä.** Tarvittaessa anna koneen jäähtyä.

8.1 Koneen hoito

Puhdista koneen ulkopinnat kostealla liinalla säännöllisin välein.

HUOMAUTUS

Älä käytä puhdistamiseen paine- tai höyrypesuria! Älä koskaan käytä konetta, jos sen tuuletusraot ovat tukkeu- taneet! Varo, ettei koneen sisään pääse tunkeutumaan vieraita esineitä.

8.2 Kunnossapito

Tarkasta säännöllisin välein koneen ulkoisten osien sekä kaikkien käyttö- ja hallintalaitteiden kunto ja toiminta. Älä käytä konetta, jos sen osissa on vaurioita tai käyttö- ja hallintalaitteet eivät toimi moitteettomasti. Korjauta kone Hilti-huollossa.

Käytä koneessa vain suositeltuja panoksia ja oikeita te- hoasetuksia. Väärin valitut panokset tai liian suuri te-

hoasetus voivat aiheuttaa koneen osien ennalikaaisia vaurioita.

VAROITUS

DX-koneiden käytössä syntyvä lika sisältää terveydelle haitallisia aineita. **Älä hengitä likaa tai pölyä tehdessäsi puhdistustöitä. Varo, ettei tätä pölyä tai likaa pääse elintarvikkeisiin. Pese kädet koneen puhdistamisen jälkeen. Älä koskaan käytä rasvaa koneen osien huol- lon tai voitelun yhteydessä. Muutoin koneen toiminta saattaa häiriintyä. Käytä ainoastaan Hilti-spraytä tai vastaavanlaatuisia tuotteita.**

8.2.1 Männän tarkastus, männän ja männänrajoittimen vaihto

VAARA

Laitteessa ei saa olla panoksia. Naulalippaassa tai naulanhajaimessa ei saa olla kiinnityselementtejä.

VAROITUS

Koneen käyttämisen jälkeen käsiteltävät pinnat saatta- vat olla erittäin kuumia. **Käytä ehdottomasti suojakä- sineitä, kun teet koneen seuraavia huoltotöitä, ellet anna koneen ensin jäähtyä.**

HUOMAUTUS

Suuri virheellisten laukaisujen määrä saattaa aiheuttaa männän ja männänrajoittimen kulumista. Jos männässä näkyy murtumia ja / tai männänrajoittimen synteettinen kumi on pahoin kulunut, näiden osien käyttöikä on tullut täyteen.

HUOMAUTUS

Mäntä ja männänrajoitin on tarkastettava säännöllisin vä- lein, vähintään kuitenkin kerran päivässä.

HUOMAUTUS

Männän ja männänrajoittimen vaihtamiseksi ainoastaan naulalipas tai naulanhajain täytyy kiertää irti. Männänoh- jainta ei tarvitse irrottaa.

- Kierrä naulanojain (tai naulalipas) irti.
 - Vedä mäntä irti männänohjaimesta.
 - Tarkasta männän vauriot. Jos männässä näkyy vaurioita, Sinun on vaihdettava mäntä JA männänrajoitin.
- HUOMAUTUS** Tarkasta männän tasamuotoisuus pyörittämällä sitä sileällä pinnalla. Älä käytä kulu-
nutta mäntää äläkä tee mäntään minkäänlaisia muu-
toksia.
- Jos mäntä täytyy vaihtaa, irrota männänrajoitin nau-
lanohjaimesta.
 - Aseta uusi männänrajoitin oikeaan asentoon asen-
nettavaan naulanohjaimen (tai naulalippaaseen).
- HUOMAUTUS** Suihkuta männänrajoittimen
aukkoon Hilti-spraytä.
- Aseta mäntä männänohjaimen koneessa.
 - Kierrä naulanojain (tai naulalipas) rajoittimeen
saakka kiinni männänohjaimen ja kierrä sitä
takaisinpäin lukittumiseen saakka.
 - Tee latausliike latauskahvasta.

8.2.2 Männänohjaimen puhdistaminen 18 19 20 21

VAARA

**Laitteessa ei saa olla panoksia. Naulalippaassa tai
naulanohjaimessa ei saa olla kiinnityselementtejä.**

VAROITUS

Koneen käyttämisen jälkeen käsiteltävät pinnat saatta-
vat olla erittäin kuumia. **Käytä ehdottomasti suojakä-
sineitä, kun teet koneen seuraavia huoltotoimia, ellet
anna koneen ensin jäähtyä.**

- Varmista, että latauskahva on perusasennossaan.
- Kierrä naulalipas (tai naulanojain) irti.
- Poista mäntä männänohjaimesta ja männänrajoitin
naulalippaasta (tai naulanohjaimesta).

- VAROITUS** Pidä kone ehdottomasti männänoh-
jain ylöspäin käännettynä, sillä muutoin männä-
nojain saattaa pudota.

Käännä männänohjaimen irrotuksen vipu auki.

- Vedä männänohjain irti koneesta.
- HUOMAUTUS** Männänohjainta ei tarvitse purkaa
enempää.
- Puhdista männänohjaimen kiinnityskohta koneessa.
 - Puhdista männänohjaimen ulko- ja sisäpinta suurilla
harjoilla.
 - Puhdista säätötäpin reikä pienellä pyöreällä harjalla
ja panoskammio kartiomaisella harjalla.
 - Suihkuta luistiin ja männänohjaimen olakkeeseen
Hilti-spraytä.
 - Suihkuta koneen teräsosiin Hilti-spraytä.
- HUOMAUTUS** Jos käytät muita voiteluaineita kuin
Hilti-spraytä, kumiosat voivat vaurioitua.
- Varmista, että latauskahva on perusasennossaan.
 - Työnnä männänohjain koneeseen.
 - Paina männänohjainta kevyesti.

HUOMAUTUS Vivun saa suljettua vain männänoh-
jainta samalla kevyesti (muutama mm) painamalla.
Jos et silti saa vipua suljettua, ota kappale 9 Vian-
määritys huomioon.

- Käännä vipua samalla kun painat hiukan männänoh-
jainta.
- Aseta mäntä männänohjaimen.
- Asenna männänrajoitin.
- Kierrä naulanojain (tai naulalipas) rajoittimeen
saakka kiinni männänohjaimen ja kierrä sitä
takaisinpäin lukittumiseen saakka.
- Suihkuta latauskahvan takana olevaan aukkoon voi-
teluainetta panosradan voitelemiseksi.
- Tee latausliike latauskahvasta.

8.3 Tarkastus huolto- ja kunnossapitotöiden jälkeen

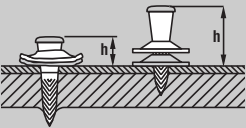
Koneen huolto- ja kunnossapitotöiden ja panoksen pai-
kalleen asettamisen jälkeen on tarkastettava, että kaikki
suojalaitteet asennettu oikein ja että ne toimivat moitteet-
tomasti.

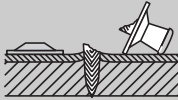
9 Vianmääritys

VAARA

Tyhjennä kone, ennen kuin yrität korjata sitä.

Vika	Mahdollinen syy	Korjaus
Panos ei siirry.	Panoskampa on vaurioitunut.	Vaihda panoskampa. Ks. kappale: 7.3.1 Panosten poistami- nen koneesta 8
	Kone on vaurioitunut.	Ota yhteys Hilti-huoltoon.

Vika	Mahdollinen syy	Korjaus
Panoskampaa ei saa irrotettua.	Kone on vaurioitunut tai ylikuumentunut liian suuren käyttönopeuden vuoksi.	Anna koneen jäähtyä ja yritä uudelleen poistaa panoskampa varovasti. Irrota männänohjain koneesta. Jos panoshylsy on takertunut panoskammiin, irrota se puhdistussettiin sisältyvällä pyöröpuikolla. Jos se ei onnistu, ota yhteys Hilti-huoltoon. VAARA Älä yritä irrottaa panosta kammasta tai koneesta väkivalloin.
Panos ei syty.	Konetta ei painettu kunnolla pintaa vasten.	Paina kone uudelleen alusmateriaalia vasten ja laukaise.
	Panoskampa on tyhjä.	Tyhjennä panoskampa ja lataa uusi.
	Lipasta tai naulanohjainta ei ole kiinnitetty kunnolla.	Kiinnitä lipas.
	Yksittäinen panos on huono.	Toista laukaisu ja käytä loput panokset.
	Kone on rikki tai panokset ovat huonoja.	Ota yhteys Hilti-huoltoon.
	Kone ei laukaise uudelleen	Laukaise kone uudelleen Ks. kappale: 8.2.2 Männänohjaimen puhdistaminen 18 19 20 21
Naula painuu liian paljon.	Kiinnitetty palkin viereen.	Merkitse palkin kohta ja kiinnitä palkkiin. Korjaa rakennetta, jotta pelti koskettaa alustaan koko pinnaltaan.
	Asennettu väärä mäntä.	Varmista männän ja elementin oikea yhdistelmä.
	Mäntä on kulunut.	Vaihda mäntä ja männänrajoitin.
Naula painuu liian vähän.	Kiinnitetty palkin reunaan.	2. kiinnityskohtaa siirrettävä.
	Alusmateriaalin vahvuus ja/tai lujuus muuttunut.	Valitse suurempi energia panossuosittelusten mukaisesti tai käytä suurempitehoisia panoksia.
	Liian pieni energia.	Valitse suurempi energia panossuosittelusten mukaisesti tai käytä suurempitehoisia panoksia.
	Kone on pahoin likaantunut.	Puhdista kone.
	Mäntä on kulunut.	Vaihda mäntä ja männänrajoitin.
	Kone on vaurioitunut.	Ota yhteys Hilti-huoltoon.
	Asennettu väärä mäntä.	Varmista männän ja elementin oikea yhdistelmä.
	Naulojen painuma vaihtelee.	Konetta on painettu iskemällä
	Epätasainen, osittain epätäydellinen toisto.	Täydellinen uudelleenlaukaisu
	Koneen epätasainen teho.	Puhdista kone. Laita koneeseen uudet kulutusosat. Jos poikkeamia vieläkin esiintyy, ota yhteys Hilti-huoltoon.

Vika	Mahdollinen syy	Korjaus
Murtumat. 	Männänpää on kulunut tai osittain murtunut.	Vaihda mäntä ja männänrajoitin.
	Kiinnitetty palkin reunaan.	2. kiinnityskohtaa siirrettävä.
	Alusmateriaalin vahvuus ja/tai lujuus lisääntynyt.	Tarkasta kiinnikesuositus. Jos olet valinnut oikeat, valitse suurempi energia tai käytä suurempitehoisia panoksia.
Kone ei palaudu.	Mäntä takertelee männänrajoittimessa.	Vaihda mäntä ja männänrajoitin.
	Kone on pahoin likaantunut.	Puhdista männänohjain. Tarkasta männän suoruus. Puhdista kone. Ks. kappale: 8.2.2 Männänohjaimen puhdistaminen 18 19 20 21
	Panoskampa takertelee, kone on ylikuumentunut.	Ks. vika "Panoskamppa ei saa irrotettua". Älä ylitä suurinta käyttönopeutta.
Laukaisu ei onnistu.	Konetta ei laukaistu uudelleen oikein. Toistokahva ei ole perusasennossaan.	Laukaise kone täysin uudelleen. Aseta toistokahva perusasentoonsa.
	Laukaistu ennen kunnolla alusmateriaalia vasten painamista.	Paina kone kunnolla alusmateriaalia vasten ja laukaise vasta sitten.
	Kiinnityselementtien siirron häiriöt	Ks. kappale: 7.2.1 Kiinnityselementtikamman asettaminen lippaaseen 2 Ks. kappale: 7.3.2 Kiinnityselementtikamman poistaminen lippaasta 9
	Lipasta tai naulanohjainta ei ole kiinnitetty kokonaan.	Ruuvaa lipas ja yksittäisnaulanohjain täysin irti.
	Kone on vaurioitunut.	Ota yhteys Hilti-huoltoon.
	Kone on pahoin likaantunut.	Puhdista männänohjain. Tarkasta männän suoruus. Puhdista kone. Ks. kappale: 8.2.2 Männänohjaimen puhdistaminen 18 19 20 21
	Laukaistu ennen kunnolla alusmateriaalia vasten painamista.	Paina kone kunnolla alusmateriaalia vasten ja laukaise vasta sitten.
Kiinnityselementti ei kiinnity.	Konetta ei laukaistu uudelleen oikein. Toistokahva ei ole perusasennossaan.	Laukaise kone täysin uudelleen. Aseta toistokahva perusasentoonsa.
	Kiinnityselementtiä ei ole kiinnitetty.	Aseta kiinnityselementti koneeseen.
	Naularata lippaassa on rikki.	Ota yhteys Hilti-huoltoon.
	Mäntää ei ole asennettu.	Aseta mäntä koneeseen.
	Mäntä on murtunut.	Vaihda mäntä ja männänrajoitin.
	Mäntä ei palaudu.	Ota yhteys Hilti-huoltoon.
	Naulanohjain on likaantunut.	Puhdista naulanohjain ja liittyvät osat puhdistukseen tarkoitetuilla harjoilla. Öljyä Hilti-sprayllä.
	Kiinnityselementit naulanohjaimessa ovat juuttuneet.	Poista juuttuneet kiinnityselementit. Poista lipaskamman muovijäänteet koneen lippaasta. Vältä murtumia. (Ks. yllä). Vältä kiinnittämistä palkkien viereen; tarvittaessa tee selvemmat merkinnät.
	Pultinohjainta ei saa kierrettyä kokonaan kiinni.	Irrota naulanohjain. Asenna männänrajoitin oikeinpäin ja kierrä naulanohjain takaisin kiinni.

Vika	Mahdollinen syy	Korjaus
Pulttinohjainta ei saa kierrettyä kokonaan kiinni.	Männänohjain kiinnityskierteen takana likaantunut.	Puhdista ja öljyä kierteet.
Mäntää ei saa asennettua.	Kone, erityisesti männänohjain, on likaantunut.	Puhdista männänohjain ja kokoa kone.
	Luistinokka yltää männänohjaimen ja estää männän liikkeen.	Vedä luistinokkaa eteenpäin kunnes se lukittuu.
Männänohjainta ei saa asennettua.	Vipu on suljettu.	Avaa vipu.
	Männänohjain väärässä asennossa.	Ohjaa männänohjain paikalleen oikeaan asentoon.
Raskasliikkeinen toisto.	Kone on likaantunut.	Puhdista kone. Ks. kappale: 8.2.2 Männänohjaimen puhdistaminen 18 19 20 21

fi

10 Hävittäminen



Hilti-työkalut, -koneet ja -laitteet on pääosin valmistettu kierrätyskelpoisista materiaaleista. Kierrätyksen edellytys on materiaalin asianmukainen erottelu. Hilti (Suomi) Oy ottaa vanhat koneet ja laitteet kierrätettäviksi. Lisätietoja saat Hilti-asiakaspalvelusta tai Hilti-myyntiedustajalta. Jos haluat itse toimittaa koneen kierrätykseen, toimi seuraavasti: Noudata kansallisia ja kansainvälisiä ohjeita ja määräyksiä.

11 Laitteen valmistajan myöntämä takuu

Hilti takaa, ettei toimitetussa tuotteessa ole materiaali- tai valmistusvikoja. Tämä takuu on voimassa edellyttäen, että tuotetta käytetään, käsitellään, hoidetaan ja puhdistetaan Hiltin käyttöohjeen mukaisesti oikein, ja että tuotteen tekninen kokonaisuus säilyy muuttumattomana, ts. että tuotteessa käytetään ainoastaan alkuperäisiä Hilti-kulutusaineita ja -lisävarusteita sekä -varaosia tai muita laadultaan samantasoisia valmisteita.

Tämä takuu kattaa viallisten osien veloituksettoman korjauksen tai vaihdon tuotteen koko käyttöajan. Osat, joihin kohdistuu normaalia kulumista, eivät kuulu tämän takuun piiriin.

Mitään muita vaateita ei hyväksytä, paitsi silloin kun tällainen vastuun rajoitus on laillisesti tehoton. Hilti ei vastaa suorista, epäsuorista, satunnais- tai seurausvahingoista, menetyksistä tai kustannuksista, jotka aiheutuvat tuotteen käytöstä tai soveltumattomuudesta käyttötarkoitukseen. Hilti ei myöskään takaa tuotteen myyntikelpoisuutta tai sopivuutta tiettyyn tarkoitukseen.

Korjausta tai vaihtoa varten tuote ja/tai kyseiset osat on viipymättä vian toteamisen jälkeen toimitettava lähimpään Hilti-huoltoon.

Tämä takuu kattaa kaikki takuuvälitteet Hiltin puolelta ja korvaa kaikki takuita koskevat aikaisemmat tai samanaikaiset selvitykset ja kirjalliset tai suulliset sopimukset.

12 EU-vaatimustenmukaisuusvakuutus (originaali)

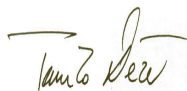
Nimi:	Panosnaulain
Tyypimerkintä:	DX 76
Sukupolvi:	01
Suunnitteluvuosi:	2004

Vakuutamme, että tämä tuote täyttää seuraavien direktiivien ja normien vaatimukset: 2006/42/EY, 2011/65/EY.

Hilti Corporation, Feldkircherstrasse 100,
FL-9494 Schaan



Norbert Wohlwend
Head of Quality & Processes Management
BU Direct Fastening
04/2013



Tassilo Deinzer
Head of BU Direct Fastening
BU Direct Fastening
04/2013

Tekninen dokumentaatio:

Hilti Entwicklungsgesellschaft mbH
Zulassung Elektrowerkzeuge
Hiltistrasse 6
86916 Kaufering
Deutschland

13 CIP-tarkastustodistus

Hilti DX 76 on tyyppihyväksytty ja tarkastettu. Tästä todistena koneessa on PTB:n nelionmuotoinen hyväksyntämerkintä ja siinä hyväksyntänumero S 813. Näin Hilti vakuuttaa koneen vastaavan tyyppihyväksyntää. Koneessa

mahdollisesti ilmenevistä hyväksynnän vastaisista puutteista ja vioista, jotka käyttäjä havaitsee, on ilmoitettava hyväksyntäviranomaiselle (PTB) sekä kansainvälisen komission (C.I.P.) toimistoon.

14 Käyttäjän terveys ja turvallisuus

14.1 Melupäästötiedot

Panosnaulain

Tyyppi	DX 76
Malli	Vakio
Kaliiperi	6.8/18 sininen
Tehoasetus	4
Käyttö	Kiinnitys 8 mm teräkseen (400 MPa) panoksella X-ENP 19 L15MX

Ilmoitetut melupäästön mittausravot konedirektiivin 2006/42/EY ja standardin E DIN EN 15895 mukaisesti

Melutehotaso, $L_{WA}, 1s$ ¹	114 dB (A)
Melupäästön äänenpainetaso työpisteessä, $L_{pA}, 1s$ ²	110 dB (A)
Melupäästön huippuäänepainetaso, $L_{pC}, peak$ ³	139 dB (C)

¹ ± 2 dB (A)

² ± 2 dB (A)

³ ± 2 dB (C)

Käyttö- ja pystytisedellytykset: Naulaimen pystytys ja käyttö standardin E DIN EN 15895-1 mukaan yrityksen Müller-BBM GmbH vähäheijastuksellisessa mittaushuoneessa. Mittaushuoneen olosuhteet vastaavat standardia DIN EN ISO 3745.

fi

Tarkastusmenetelmä: Standardien E DIN EN 15895, DIN EN ISO 3745 ja DIN EN ISO 11201 mukainen tilakaikumenetelmä vapaassa tilassa heijastavalta peruspinnalta.

HUOMAUTUS: Mitatut melupäästöarvot ja niihin liittyvä mittausepävarmuus edustavat ylärajaa odotettavissa olevan melupäästön arvojen mittauksissa.

Mittaolosuhteista poikkeavat työskentelyolosuhteet saattavat johtaa erilaisiin melupäästöarvoihin.

14.2 Tärinä

Normin 2006/42/EC mukaisesti ilmoitettava tärinän kokonaisarvo ei ylitä arvoa 2,5 m/s².

Käyttäjän terveyteen ja turvallisuuteen liittyvää lisätietoa löydät Hiltin internet-sivustolta www.hilti.com/hse.

DX 76 Stiprinājuma elementu iedzišanas iekārta

Pirms iekārtas lietošanas noteikti izlasiet šo instrukciju.

Vienmēr uzglabājiet instrukciju kopā ar iekārtu.

Ja iekārta tiek nodota citai personai, iekārtai obligāti jāpievieno arī instrukcija.

Saturs	Lappuse
1 Drošība	115
2 Vispārēja informācija	117
3 Apraksts	118
4 Piederumi, patēriņa materiāli	120
5 Tehniskie parametri	120
6 Lietošanas uzsākšana	121
7 Lietošana	121
8 Apkope un uzturēšana	125
9 Traucējumu diagnostika	126
10 Nokalpojušo instrumentu utilizācija	129
11 Iekārtu ražotāja garantija	129
12 EK atbilstības deklarācija (oriģināls)	130
13 CIP pārbaudes apliecinājums	130
14 Lietotāja veselība un drošība	130

I Skaitļi norāda uz attiecīgajiem attēliem. Attēli ir atrodami lietošanas pamācības vāka atvērumā. Lasot lietošanas pamācību, turiet šo atvērumu priekšā.

Šīs lietošanas instrukcijas tekstā ar vārdu "iekārta" vienmēr jāsaprot montāžas iekārta DX 76.

Iekārtas sastāvdaļas un vadības elementi **I**

Iekārta DX 76

- ① Naglu magazīna MX 76
- ② Piespiedējtapa
- ③ Drošības pārsega montāžas atvere
- ④ Atkārtēšanas rokturis
- ⑤ Kasetnes magazīnas šahta
- ⑥ Uzlādes kontrollozīņš
- ⑦ Jaudas regulators
- ⑧ Jaudas iestatījuma indikators
- ⑨ Uzmava (atbalsta polsteris)
- ⑩ Korpusa apvalks
- ⑪ Roktura polsteris
- ⑫ Mēlīte
- ⑬ Svira virzuļa vadotnes demontāžai
- ⑭ Bidāmā čaula
- ⑮ Magazīnas korpuss
- ⑯ Naglu magazīnas aizsarguzmava
- ⑰ Atdure (elements)
- ⑱ Ventilācijas atveres
- ⑲ Stiprinājuma elementu vadotne X-76-F-15
- ⑳ Iekārtas aizsargpārsegs

Nodilumdaļas

- ⑰ Virzulis
- ⑱ Virzuļa fiksators

1 Drošība

1.1 Galvenās drošības atzīmes

Līdzās atsevišķajās nodaļās ietvertajiem drošības tehnikas norādījumiem obligāti jāņem vērā šādi papildu drošības noteikumi.

1.1.1 Kasetņu lietošana

Lietojiet tikai Hilti kasetnes vai līdzvērtīgas kvalitātes kasetnes.

Ja Hilti iekārtās tiek lietotas zemas kvalitātes kasetnes, var veidoties nesadeguša pulvera nogulsņējumi, kas var negaidīti eksplodēt un nopietni savainot iekārtas lietotāju un citas tuvumā esošās personas. Kasetnēm jāatbilst vienam no šādiem minimālajiem nosacījumiem:

- a) ražotājam jābūt gatavam iesniegt apliecinājumu par pārbaudes veikšanu saskaņā ar ES standartu EN 16264 vai
- b) jābūt CE atbilstības marķējumam (no 2013. gada jūlija ES nepieciešams obligāti).

NORĀDĪJUMS

Visas Hilti kasetnes, kas paredzētas montāžas iekārtām, ir veiksmīgi izturējušas EN 16264 paredzētos testus. Standartā EN 16264 aprakstītās pārbaudes ietver sertifikācijas iestāžu veiktu testēšanu sistēmai, ko veido specifiska kasetņu un iekārtu kombinācija. Iekārtas apzīmējums sertifikācijas iestādes nosaukums un sistēmas testa numurs ir norādīts uz kasetnes iepakojuma.

Skat. arī iepakojuma piemēru: www.hilti.com/dx-cartridges

1.1.2 Personiskā drošība

- a) **Strādājiet ar ātrās montāžas iekārtu uzmanīgi, darba laikā saglabājiet paškontroli un rīkojieties saskaņā ar veselo saprātu. Nestrādājiet ar iekārtu, ja jūtaties noguruši vai atrodaties alkohola, narkotiku vai medikamentu izraisītā reibumā. Strādājot**

ar elektroiekārtu, pat viens neuzmanības mirklis var būt par cēloni nopietnam savainojumam.

- b) Izvairieties no neērtām pozām. Rūpējieties par stingru pozīciju un vienmēr saglabājiet līdzsvara stāvokli.
- c) Nekādā gadījumā nevērsiet iekārtu pret sevi vai citiem cilvēkiem.
- d) Nespiediet iekārtu pret rokām vai citām ķermeņa daļām (vai citiem cilvēkiem).
- e) Neļaujiet darbības laikā tuvumā atrasties nepiederošām personām, īpaši bērniem.
- f) Darbiniet iekārtu ar saliektām rokām (nevis izstieptām).

1.1.3 Pateizta tiešās montāžas iekārtu lietošana un apkope

- a) Izmantojiet pareizo iekārtu. Nelietojiet iekārtu mērķiem, kam tā nav paredzēta. Lietojiet iekārtu tikai tad, kad tā ir nevainojamā tehniskajā stāvoklī.
- b) Taisnā leņķī piespiediet iekārtu pie darba virsmas.
- c) Pielādētu iekārtu nedrīkst atstāt bez uzraudzības.
- d) Pirms tīrīšanas, servisa un apkopes darbiem, darba pārtraukumiem, kā arī uzglabāšanas iekārta vienmēr jāizslēdz (jāiztukšo kasetne un stiprinājuma elementi).
- e) Iekārtas, kas netiek lietotas, jāizslēdz un jānoliek sausā, augstu novietotā vai noslēdzamā vietā, kur tām nevar piekļūt bērni.
- f) Pārbaudiet, vai iekārta un tās piederumi nav bojāti. Pirms turpināt lietošanu, rūpīgi jāpārbauda, vai drošības ierīces un nedaudz nolietotās daļas funkcionē nevainojami un atbilstoši visiem nosacījumiem. Pārbaudiet, vai kustīgās iekārtas daļas darbojas nevainojami, neiestrēgst vai nav bojātas. Visām detaļām jābūt pareizi iestiprinātām un jāatbilst noteiktajiem tehniskajiem parametriem, lai būtu garantēta nevainojama iekārtas darbība. Ja lietošanas instrukcijā nav norādīts citādi, bojātu drošības ierīču un detaļu remonts vai nomaiņa jāuztic tikai Hilti servisa darbiniekiem.
- g) Spiediet mēlīti tikai tad, kad iekārta taisnā leņķī ir pilnībā piespiesta darba virsmai.
- h) Iedzenot stiprinājuma elementus, iekārta vienmēr jāsatver cieši un jātur taisnā leņķī attiecībā pret virsmu. Tādējādi tiks novērsta stiprinājuma elementa izkustēšanās no pamata materiāla.
- i) Nekad nemēģiniet nostiprināt elementu atkārtoti – tas var salūzt vai iestrēgt.
- j) Nemēģiniet nostiprināt elementus jau esošos urbmos, izņemot gadījumus, kad šādu darba metodi iesaka Hilti.
- k) Vienmēr ievērojiet norādījumus par lietošanu.
- l) Ja lietošanas apstākļi to pieļauj, jālieto drošības uzmaivas.
- m) Neatvelciet magazīnu vai stiprinājuma elementu vadotni ar roku, jo noteiktos apstākļos tas var izraisīt iekārtas aktivēšanos. Aktivēšanās rezultātā stiprinājuma elements var skart ķermeņa daļas.

1.1.4 Darba vieta



- a) Rūpējieties par labu darba vietas apgaismojumu.
- b) Lietojiet iekārtu tikai labi vēdināmās vietās.
- c) Nestipriniet stiprinājuma elementus nepiemērotā pamata materiālā. Pārāk cieti materiāli ir, piemēram, metināts tērauds un tērauda lējumi. Mīksti materiāli ir, piemēram, koks un ģipškartons. Pārāk trausli materiāli ir, piemēram, stikls un fižes. Šādos materiālos stiprinājuma elementi var salūzt, atdalīt materiāla šķembas vai iziet materiālam cauri.
- d) Nedzeniet naglas stiklā, marmorā, plastmasā, bronžā, misiņā, varā, klintsakmeņi, izolācijas materiālos, koka blokos, māla ķieģeļos, plānā skārdā (< 3 mm), čugunā un gāzbetonā.
- e) Pirms stiprinājuma elementu iedzišanas vai ieskrūvēšanas pārliecinieties, ka nav nevienas neatrodas aiz vai zem darba vietas.
- f) Turiet darba vietu kārtībā. Nodrošiniet, lai darba vietā neatrastos priekšmeti, kas var izraisīt traumas. Nekārtība darba vietā var kļūt par cēloni nelaimes gadījumiem.
- g) Gādājiet, lai rokturi būtu sausi, tīri, nenotraipīti ar eļļu un smērvielām.
- h) Valkājiet apavus ar neslīdošām pazolēm.
- i) Ņemiet vērā apkārtējās vides ietekmi. Nepakļaujiet instrumentu nokrišņu ietekmei, nelietojiet to mitrā vai slapjā vidē. Neizmantojiet instrumentu vietās, kur pastāv ugunsgrēka vai eksplozijas risks.

1.1.5 Mehāniskās drošības pasākumi



- a) Jāizvēlas atbilstīga vadotnes un stiprinājuma elementu kombinācija. Ja netiek lietota pareizā kombinācija, iespējamas traumas, iekārtas bojājumi un /vai stiprinājuma kvalitātes pasliktināšanās.
- b) Jālieto tikai tādi stiprinājuma elementi, kas ir paredzēti konkrētajai iekārtai un akceptēti lietošanai.
- c) Stiprinājuma elementus nedrīkst ievietot magazīnā, ja tā nav kārtīgi piemontēta pie iekārtas. Centrbēdzes spēks var izsviest stiprinājuma elementus no magazīnas.
- d) Nelietojiet nodilušus virzuļus un neveiciet ar virzuli nekādas neatļautas manipulācijas.

1.1.6 Termiskās drošības pasākumi



- Ja iekārta pārkarst, tai jāļauj atdzist. Nedrīkst pārsniegt noteikto elementu iestiprināšanas frekvenci.
- Ja nepieciešams veikt apkopes darbus, kamēr iekārta vēl nav pietiekami atdzisusi, obligāti jāvalkā aizsargcimdi.
- Tikko sākas plastmasas kasetnes aptveres kušana, iekārtai jāļauj atdzist.

1.1.7 Sprādzienbīstams



- Jālieto tikai tādas kasetnes, kas ir paredzētas konkrētajai iekārtai un akceptētas lietošanai.

- Uzmanīgi izņemiet kasetnes aptveri no iekārtas.
- Nemēģiniet ar spēku izvilkt kasetni no magazīnas aptveres vai iekārtas.
- Nelietotās kasetnes jāglabā sausumā, augstā vai noslēdzamā vietā, kas nav pieejama bērniem.

1.1.8 Individuālais aizsargaprīkojums



Lietotājam un tuvumā esošajām personām instrumenta darbināšanas un remonta laikā jālieto piemērotas aizsargbrilles, aizsargķiveri un dzirdes aizsarglīdzekļi.

2 Vispārēja informācija

2.1 Signālvārdi un to nozīme

BRIESMAS

Pievērš uzmanību draudošām briesmām, kas var izraisīt smagus miesas bojājumus vai nāvi.

BRĪDINĀJUMS

Pievērš uzmanību iespējami bīstamai situācijai, kas var izraisīt smagas traumas vai pat nāvi.

UZMANĪBU

Šo uzrakstu lieto, lai pievērstu uzmanību iespējami bīstamai situācijai, kas var izraisīt traumas vai materiālus zaudējumus.

NORĀDĪJUMS

Šo uzrakstu lieto lietošanas norādījumiem un citai noderīgai informācijai.

2.2 Piktogrammu skaidrojums un citi norādījumi

Brīdinājuma zīmes



Brīdinājums par vispārēju bīstamību



Brīdinājums par sprādzienbīstamām vielām



Brīdinājums par karstu virsmu

Pienākumu uzliekošās zīmes



Lietojiet aizsargbrilles



Lietojiet aizsargķiveri



Lietojiet skaņas slāpētājus



Lietojiet aizsargcimdus



Pirms lietošanas izlasiet instrukciju

Identifikācijas dati uz iekārtas

Izstrādājuma tips un sērijas numurs vienmēr ir norādīti uz identifikācijas plāksnītes. Ierakstiet šos datus lietošanas instrukcijā un vienmēr norādiet, griežoties pie Hilti pārstāvja vai servisā.

Tips:

Paaudze: 01

Sērijas Nr.:

3 Apraksts

3.1 Izmantošana atbilstoši paredzētajiem mērķiem

Iekārtas ir paredzēta profesionālai lietošanai galvenajiem un papildu celtniecības darbiem tērauda stiprinājuma elementu iedzišanai.

Vienmēr turiet iekārtu ar abām rokām.

Aizliegts veikt nepieļautas manipulācijas vai izmaiņas iekārtā.

Iekārtu nedrīkst darbināt sprādzienbīstamā vai ugunsnedrošā vidē, izņemot gadījumus, kad tā ir speciāli paredzēta šādām vajadzībām.

Lai izvairītos no traumu riska, izmantojiet tikai oriģinālos Hilti stiprinājuma elementus, kasetnes un rezerves daļas vai līdzvērtīgas kvalitātes produktus.

Ievērojiet informāciju par instrumenta izmantošanu, kopšanu un uzturēšanu labā tehniskajā kārtībā, kas ir norādīta lietošanas instrukcijā.

Ierīce un tās aprīkojums var radīt bīstamas situācijas, ja to neatbilstoši lieto neapmācīts personāls vai tās izmantojums neatbilst paredzētajam mērķim.

Iekārtu drīkst lietot, apkalpot un tā apkopi veikt tikai atbilstoši apmācīts personāls. Personālam jābūt labi informētam par iespējamajiem riskiem, kas var rasties darba laikā.

Tāpat kā visām montāžas iekārtām ar pulvera piedziņu, iekārta, magazīna, kasetnes un stiprinājuma elementi veido nedalāmu tehnisku vienību. Tas nozīmē, ka nevainojama elementu nostiprināšana ar šo iekārtu ir nodrošināta tikai tad, ja izmanto speciāli tai izgatavotos Hilti stiprinājuma elementus un kasetnes vai līdzvērtīgas kvalitātes izstrādājumus. Tikai tad, ja ir izpildīts šis nosacījums, ir spēkā Hilti ieteikumi par stiprināšanu un iekārtas lietošanu.

Iekārtai ir piešķirta aizsardzība iekārtas lietotāja un darba zonas drošībai.

3.2 Virzuļa princips ar virzuļa bremzi

Lādiņa enerģija tiek pārnesta uz virzuli, kura masa ar paātrinājumu iedzen naglu virsmā. Sakarā ar virzuļa principu iekārta ir klasificējama kā „Low Velocity Tool”. 95 % no kinētiskās enerģijas atrodas virzulī. Tā kā virzulis iedzišanas procesa beigās jebkurā gadījumā tiek apstādināts iekārtā, liekā enerģija paliek iekārtā. Līdz ar to pareizas lietošanas gadījumā risks izdzīt elementu cauri materiālam ar ātrumu, kas pārsniedz 100 m/s, praktiski nepastāv.

3.3 Aizdedzes trieciendrošība

Pateicoties tam, ka aizdedzes mehānisms ir piesaistīts iekārtas piespiešanas gājiem, tikai trieciena rezultātā aizdedze neiedarbojas. Tādēļ, ja iekārta nokrīt uz stingra pamata, aizdedze netiek iedarbināta - neatkarīgi no trieciena leņķa.

3.4 Mēlītes drošinātājs

Mēlītes drošinātājs garantē, ka tikai ar mēlītes nospiešanu iedzišanas procesu nav iespējams aktivēt. Iedzišana var notikt tikai tad, ja iekārta papildus ir pilnībā piespiesta pie stingras virsmas.

3.5 Piespiešanas drošinātājs

Pateicoties piespiešanas drošinātājam, ir nepieciešams vismaz 50 N liels piespiešanas spēks, respektīvi, elementa iedzišana var notikt tikai ar pilnībā piespiestu iekārtu.

3.6 Aktivēšanas drošinātājs

Turklāt iekārta ir aprīkota ar aktivēšanas drošinātāju. Tas nozīmē, ka elementa iedzišana netiek aktivēta arī tad, ja ir nospiesta mēlīte un iekārta tiek piespiesta virsmai. Tātad iedzišana ir aktivējama tikai tad, ja iekārtu vispirms kārtīgi piespiež virsmai un tikai pēc tam nospiež mēlīti.

3.7 Iekārta DX 76, lietošana un stiprinājuma elementu programma

Loķšņu tērauda profilu piestiprināšana, tērauda biezums no 6 mm līdz masīvam tēraudam

Programma	Pasūtījumā norādāmais nosaukums	Piezīme
Stiprinājuma elementi	X-ENP-19 L15 MX	10 naglas vienā magazīnas aptverē
Naglu magazīna	MX 76	
Virzuļa komplekts	X-76-F-Kwik	

Programma	Pasūtījumā norādāmais nosaukums	Piezīme
Stiprinājuma elementi	X-ENP-19 L15	Atsevišķa nagla
Atsevišķu stiprinājuma elementu vadotne	X-76-F-15-PTR	

Loķņu tērauda profilu nostiprināšana, tērauda biezums 3-6 mm

Programma	Pasūtījumā norādāmais nosaukums	Piezīme
Stiprinājuma elementi	ENP2K-20 L15	10 naglas vienā magazīnas aptverē
Naglu magazīna	MX 76	
Virzulis	X-76-F-Kwik	

Programma	Pasūtījumā norādāmais nosaukums	Piezīme
Stiprinājuma elementi	ENP2K-20 L15	Atsevišķa nagla
Atsevišķu stiprinājuma elementu vadotne	X-76-F-15-PTR	

IV

Kombinēto dobtapu nostiprināšana

Programma	Pasūtījumā norādāmais nosaukums	Piezīme
Stiprinājuma elementi	X-ENP-21 HVB	2 gab. katrai kombinētajai dobtapai
Kombinētā dobtapa	X-HVB 50/ 80/ 95/ 110/ 125/ 140	
Stiprinājuma elementu vadotne	X-76-F-Kwik	
Virzulis	X-76-F-Kwik	

Skārda profilu nostiprināšana pie betona (DX-Kwik)

Programma	Pasūtījumā norādāmais nosaukums	Piezīme
Stiprinājuma elementi	NPH2-42 L15	
Stiprinājuma elementu vadotne	X-76-F-Kwik	
Virzulis	X-76-F-Kwik	
Savienojuma urbji	TX-C 5/23	Urbji iepriekšējai atveres iebūšanai

Stiprinājuma elementi (diametrs 10 mm) režģa nostiprināšanai

Programma	Pasūtījumā norādāmais nosaukums	Piezīme
Stiprinājuma elementi	EM8-15FP10, X-CRM8-15 FP10/ X-CR M8	X-FCM, X-FCM-F, X-FCM-R, X-FCP-F, X-FCP-R instalācijai
Stiprinājuma elementu vadotne	X--76-F--10-PTR	
Virzulis	X-76-F-Kwik	
Iebīdītājs	Iebīdītājs	Stiprinājuma elementu atbīdīšanai atpakaļ
Nocentrēšanas ierīce	Nocentrēšanas ierīce 25	Stiprinājuma elementu vadotnei X-76-F-10
Nocentrēšanas ierīce	Nocentrēšanas ierīce 30	Stiprinājuma elementu vadotnei X-76-F-10

Stiprinājuma elementi (diametrs 10 mm) dažādu detaļu nostiprināšanai pie tērauda un betona virsmām

Programma	Pasūtījumā norādāmais nosaukums	Piezīme
Stiprinājuma elementi	DS 27-37, DSH 57 P10	Naglas koka latu nostiprināšanai pie betona un tērauda; sākot no 62 mm naglas jāiedzen iepriekš
Stiprinājuma elementi	EDS 19-27 P10	Naglas koka latu nostiprināšanai pie tērauda
Stiprinājuma elementi	EW10-30 P10, X-EW10-27 P10, X-EM10-24 P10	10 mm elementi nostiprināšanai pie tērauda pamatnes
Stiprinājuma elementu vadotne	X-76-F-10-PTR	
Virzulis	X-76-F-10-PTR	

4 Piederumi, patēriņa materiāli

Apzīmējums	Artikula numurs, apraksts
Hilti koferis	DX 76 KD, liels, ar noslēdzamu kasetnes nodalījumu
Magazīnas ierīces koferis	DX 76 MX
Tīrīšanas komplekts	DX 76 / 860-ENP, Plakanā suka, apaļā suka \varnothing 25, apaļā suka \varnothing 8, bidītais, tīrīšanas drāniņa
Hilti aerosols	
Virzuļa un virzuļa fiksatora mezgls	X-76-PS
Drošības uzmava magazīnai un atsevišķo stiprinājuma elementu vadotnēm	
Kontroles kalibrs DX 76	

Kasetnes tips	Pasūtījumā norādāmais nosaukums
Spēcīgākā uzlāde (ASV)	6.8/18 M melna (purpursarkana)
Īpaši spēcīga uzlāde	6.8/18 M melna
Ļoti spēcīga uzlāde	6.8/18 M sarkana
Spēcīga uzlāde	6.8/18 M zila
Vāja uzlāde	6.8/18 M zaļa

5 Tehniskie parametri

Rezervētas tiesības izdarīt tehniska rakstura izmaiņas!

NORĀDĪJUMS

*darbībai bez traucējumiem.

Iekārta	DX 76 MX
Magazīnas svars	4,35 kg
Izmēri (garums × platums × augstums)	450 mm × 101 mm × 352 mm
Magazīnas ietilpība	10 elementi
Piespiešanas gājiens	32 mm
Piespiešanas spēks	190...240 N
Lietošanas temperatūra / apkārtnes temperatūra	-15...+50 °C

Iekārta	DX 76 MX
Maksimālā vidējā iedziņas frekvence*	600/h

6 Lietošanas uzsākšana



NORĀDĪJUMS

Pirms ekspluatācijas uzsākšanas jāizlasa lietošanas instrukcija.

6.1 Iekārtas pārbaude

Pārlicinieties, vai kasetnes aptvere neatrodas iekārtā. Ja iekārtā ir ievietota kasetnes aptvere, vairākas reizes pavēlnot atkārtšanas rokturi, pārvietojiet to tik tālu, līdz Jūs varat satvert to no kasetnes izejas puses, un pēc tam izņemiet kasetnes aptveri, izvelkot to ārā.

Pārlicinieties, vai visas iekārtas ārējās daļas ir nebojātas un visi elementi ir nevainojamā tehniskā stāvoklī. Nelietojiet iekārtu, ja tās daļas ir bojātas vai slēdži nedarbojas nevainojami. Uzdodiet veikt iekārtas remontu tikai autorizētai Hilti servisa darbnīcai.

Pārbaudiet, vai virzulis un virzuļa fiksators ir pareizi iemontēti un nav nodiluši.

IV

7 Lietošana



NORĀDĪJUMS

Pieturot iekārtu ar otru roku, roka jānovieto tā, lai tā neaizsegtu ventilācijas spraugas vai atveres.

BRĪDINĀJUMS

Nostiprināšanas laikā var atšķelties materiāla šķembas vai tikt izsviesta no magazīnas stiprinājuma elementi. **Jāvalkā acu aizsargs un ķivere (gan iekārtas lietotājam, gan citām personām, kas atrodas darba vietas tuvumā).** Materiāla šķembas var savainot ķermeni un acis.

UZMANĪBU

Stiprinājuma elementa iedzišanu aktivē piedziņas uzlādes aizdedze. **Jāvalkā dzirdes aizsardzības aprīkojums (gan iekārtas lietotājam, gan citām personām, kas atrodas darba vietas tuvumā).** Pārāk liels troksnis var bojāt dzirdi.

BRĪDINĀJUMS

Piespiežot iekārtu pie kādas ķermeņa daļas (piemēram, rokas), iekārta var tikt nejausi aktivēta. Iekārtai atrodoties gatavības stāvoklī, iespējams iedzīt stiprinājuma elementus arī ķermeņa daļās (iespējamās naglu vai virzuļa izraisītas traumas). **Nekādā gadījumā nespiediet iekārtu pret ķermeni.**

UZMANĪBU

Nekad nemēģiniet nostiprināt elementu atkārtoti – tas var salūzt vai iestrēgt.

UZMANĪBU

Nemēģiniet nostiprināt elementus jau esošos urbumos, izņemot gadījumus, kad šādu darba metodi iesaka Hilti.

UZMANĪBU

Ja iekārta pārkarst, tai jāļauj atdzist. Nedrīkst pārņemt noteikto elementu iestiprināšanas frekvenci.

7.1 Ekspluatācija

Norādījumi par stiprināšanu. Vienmēr ievērojiet norādījumus par lietošanu.

NORĀDĪJUMS

Lai saņemtu detalizētu informāciju, lūdzu, pieprasiet lietošanas norādījumus reģionālajā Hilti pārstāvniecībā vai meklējiet eventuālus nacionālos normatīvus.

7.2 Kā rīkoties kasetnes aizdedzes traucējumu gadījumā

Ja kasetnes aizdedze ir traucēta vai nenotiek vispār, vienmēr jārikojas šādi:

iekārta 30 sekundes jātur piespiesta pie darba virsmas.

Ja kasetnes aizdedze joprojām ir traucēta, iekārta jānoņem no darba virsmas, pievēršot uzmanību tam, lai tā nebūtu pavērsta pret jums vai kādu citu cilvēku.

Ar atkārtšanas roktura palīdzību pārvietojiet kasetnes aptveri par vienu kasetni; izlietojiet atlikušās aptveres kasetnes; izņemiet izlietoto kasetnes aptveri un utilizējiet to tā, lai nebūtu iespējama atkārtota vai nesankcionēta izmantošana.

7.2.1 Stiprinājuma elementu aptveres ievietošana magazinā 2

No augšpusē iebīdīet stiprinājuma elementu aptverī magazinā, līdz pēdējā elementa apaļā virsma nofiksējas magazinā.

7.2.2 Kasetņu izvēle 3

1. Jānosaka tērauda stiprība un pamatvirsmas materiāla biezums.
2. Izvēlieties piemērotu kasetni, kā arī jaudas iestatījumu atbilstīgi ieteikumiem par kasetnēm.
NORĀDĪJUMS Detalizētus ieteikumus par kasetnēm meklējiet attiecīgajās atļaujās vai Hilti stiprinājumu rokasgrāmatā.

7.2.3 Kasetnes aptveres ievietošana 4

Pilnībā iebīdīet kasetnes aptverī sānu kasetnes magazīnas šahtā.

7.2.4 Magazīnas montāžas ierīces lietošana 5

1. Taisnā leņķī piespiediet iekārtu pie darba virsmas.
2. Pavelkot mēlīti, aktivējiet iedzišanas procesu.
3. Lai uzsāktu nākamo iedzišanu, atkārošanas rokturis jāpavelk atpakaļ un pēc tam vēlreiz jāpabīda uz priekšu.

7.2.5 Naglas izvirkzījuma pārbaude un iestatīšana 6 7

NORĀDĪJUMS

Pagriezot jaudas regulatoru, iestatiet iekārtas jaudu (1. pakāpe = minimums; 4. pakāpe = maksimums).

1. Ar pārbaudes kalibra palīdzību pārbaudiet naglas izvirkzījumu.
2. Ja stiprinājuma elements netiek iedziņš pietiekami dziļi, jauda jāpalielina. Ar jaudas regulatoru iestatiet jaudu par vienu pakāpi augstāk. Ja stiprinājuma elements tiek iedziņš pārāk dziļi, jauda jāsamazina. Ar jaudas regulatoru iestatiet jaudu par vienu pakāpi zemāk.
3. Iedzeniet vienu stiprinājuma elementu.
4. Ar pārbaudes kalibra palīdzību pārbaudiet naglas izvirkzījumu.
5. Ja stiprinājuma elements joprojām tiek iedziņš pārāk dziļi vai pārāk sekli, jāatkārto 2. līdz 4. darbība, līdz sasniegts vajadzīgais dziļums. Ja nepieciešams, lietojiet spēcīgāku vai vājāku kasetni.

7.3 Iekārtas izlādēšana

7.3.1 Kasetņu izņemšana no iekārtas 8

BRĪDINĀJUMS

Nemēģiniet izvilkēt kasetni no kasetnes aptveres vai iekārtas ar spēku.

1. Vairākas reizes pabīdot atkārošanas rokturi, pabīdiet kasetnes aptverī tā, lai tā būtu redzama kasetnes izejas atverē.
2. Izvelciet kasetnes aptverī no kasetnes izejas atveres.

7.3.2 Stiprinājuma elementu aptveres izņemšanas no magazīnas ierīces 9

BRĪDINĀJUMS

Pārliecinieties, vai kasetnes aptvere neatrodas iekārtā. Ja kasetnes aptvere atrodas iekārtā, aktivējiet iekārtas atkārošanas rokturi, līdz kasetne kļūst redzama, pēc tam ar roku izvelciet to no kasetnes izejas atveres.

UZMANĪBU

Stiprinājuma elementu aptverī izstumj atsperes spēks.

1. Iespiediet stiprinājuma elementu aptverī par 5 mm dziļāk magazinā un pieturiet to šādā pozīcijā.
2. Ar īkšķi paspiediet sarkano fiksatoru uz priekšu un pieturiet to šādā pozīcijā.
3. Izņemiet stiprinājuma elementu aptverī no magazīnas.

7.4 Naglu magazīnas vai stiprinājuma elementu vadotnes (papildaprīkojums) nomaiņa

7.4.1 Demontāža 10

BRĪDINĀJUMS

Iekārtā nedrīkst atrasties kasetnes. Naglu magazīnā vai stiprinājuma elementu vadotnē nedrīkst atrasties stiprinājuma elementi.

UZMANĪBU

Pēc lietošanas attiecīgās detaļas var būt ļoti karstas. **Ja nepieciešams veikt zemāk aprakstītās apkopes darbības, kamēr iekārta vēl nav kārtīgi atdzisusi, obligāti jāvalkā aizsargcimdi.**

1. Pārbaudiet, vai atkārošanas rokturis atrodas pamatpozīcijā.
2. Noskrūvējiet stiprinājuma elementu vadotni (vai naglu magazīnu).
3. Izņemiet virzuli no virzuļa vadotnes un virzuļa fiksatoru no naglu magazīnas.

7.4.2 Montāža 11

1. Pareizā stāvoklī ievietojiet virzuļa fiksatoru montāžai paredzētajā stiprinājuma elementu vadotnē (vai naglu magazīnā).
2. Pārbaudiet, vai atkārošanas rokturis atrodas pamatpozīcijā.
3. Iespraudiet atbilstīgo virzuli iekārtā iemontētajā virzuļa vadotnē.
4. Līdz galam uzskrūvējiet stiprinājuma elementu vadotni (vai naglu magazīnu) uz virzuļa vadotnes un pagrieziet to atpakaļ, līdz tā nofiksējas.
5. Vienu reizi veiciet atkārošanu ar atkārošanas rokturi.

7.5 Nostiprināšana ar atsevišķu stiprinājuma elementu vadotni (papildaprīkojums)

BRĪDINĀJUMS

Pārbaudiet, vai aizsarguzmava ir piemontēta pie iekārtas.

7.5.1 Stiprinājuma elementa ievietošanas atsevišķu elementu iedzišanas ierīcē 12

1. Pagrieziet iekārtu tā, lai stiprinājuma elementu vadotne būtu pavērsta uz augšu.
2. No augšpuses iebīdīet stiprinājuma elementu iekārtā.

7.5.2 Kasetņu izvēle 3

1. Jānosaka tērauda stiprība un pamatvirsmas materiāla biezums.
2. Izvēlieties piemērotu kasetni, kā arī jaudas iestatījumu atbilstīgi ieteikumiem par kasetnēm.

NORĀDĪJUMS Detalizētus ieteikumus par kasetnēm meklējiet attiecīgajās atļaujās vai Hilti stiprinājumu rokasgrāmatā.

7.5.3 Kasetnes aptveres ievietošana 4

Pilnībā iebīdīet kasetnes aptveri sānu kasetnes magazīnas šahtā.

7.5.4 Atsevišķu elementu iedzišanas ierīces lietošana

1. Taisnā leņķī piespiediet iekārtu pie darba virsmas.
2. Pavelkot mēlīti, aktivējiet iedzišanas procesu.
3. Lai uzsāktu nākamo iedzišanu, atkārtēšanas rokturis jāpavelk atpakaļ un pēc tam vēlreiz jāpabīda uz priekšu.

7.5.5 Naglas izvirkzījuma pārbaude un iestatīšana 6 7

NORĀDĪJUMS

Pagriežot jaudas regulatoru, iestatiet iekārtas jaudu (1. pakāpe = minimums; 4. pakāpe = maksimums).

Pārbaudiet naglas izvirkzījumu un jaudas iestatījumu saskaņā ar 7.2.5. sadaļas "Naglas izvirkzījuma pārbaude un iestatīšana" norādījumiem.

7.6 Kombinēto dobtapu nostiprināšana (papildaprīkojums) 13 14

BRĪDINĀJUMS

Pārbaudiet, vai aizsarguzmava ir piemontēta pie iekārtas.

7.6.1 Elementa ievietošana HVB stiprinājuma elementu vadotnē

NORĀDĪJUMS

Pirmā elementa ievietošana kombinētajā dobtapā

1. Saskaņā ar 7.4. sadaļu "Naglu magazīnas vai stiprinājuma elementu vadotnes (papildaprīkojuma) nomaiņa / montāža" piemontējiet stiprinājuma elementu vadotni HVB.

2. Pārliciet aizbīdni, līdz tas nofiksējas un kļūst redzams skaitlis 1.
3. Pagrieziet iekārtu tā, lai stiprinājuma elementu vadotne būtu pavērsta uz augšu.
4. No augšpuses iebīdīet elementu atzīmētajā iekārtas atverē.

7.6.2 Kasetnes aptveres ievietošana 4

NORĀDĪJUMS

HVB kombinēto dobtapu nostiprināšanai vislabāk ieteicams lietot melnās vai atsevišķos gadījumos - sarkanās kasetnes. Detalizētus ieteikumus par kasetnēm meklējiet attiecīgajās atļaujās vai Hilti stiprinājumu rokasgrāmatā.

Pilnībā iebīdīet kasetnes aptveri sānu kasetnes magazīnas šahtā.

7.6.3 Nostiprināšana ar stiprinājuma elementu vadotni HVB 14

1. Novietojiet kombinēto dobtapu uz atbalsta plāksnes. Tā tiek noturēta ar magnēta palīdzību.
2. Taisnā leņķī piespiediet iekārtu pie darba virsmas.
3. Pavelkot mēlīti, aktivējiet iedzišanas procesu.
4. Lai uzsāktu nākamo iedzišanu, atkārtēšanas rokturis jāpavelk atpakaļ un pēc tam vēlreiz jāpabīda uz priekšu.

7.6.4 Naglas izvirkzījuma pārbaude un iestatīšana 6 7

NORĀDĪJUMS

Pagriežot jaudas regulatoru, iestatiet iekārtas jaudu (1. pakāpe = minimums; 4. pakāpe = maksimums).

Pārbaudiet naglas izvirkzījumu un jaudas iestatījumu saskaņā ar 7.2.5. sadaļas "Naglas izvirkzījuma pārbaude un iestatīšana" norādījumiem.

7.6.5 Otrā elementa ievietošana HVB stiprinājuma elementu vadotnē 15

NORĀDĪJUMS

Otrā elementa ievietošana kombinētajā dobtapā

1. Pārliciet aizbīdni, līdz tas nofiksējas un kļūst redzams skaitlis 2.
2. Pagrieziet iekārtu tā, lai stiprinājuma elementu vadotne būtu pavērsta uz augšu.
3. No augšpuses iebīdīet elementu atzīmētajā iekārtas atverē.

7.6.6 Nostiprināšana ar stiprinājuma elementu vadotni HVB 14

1. Iebīdīet atbalsta plāksni stīpā un taisnā leņķī piespiediet iekārtu darba virsmai.
2. Pavelkot mēlīti, aktivējiet iedzišanas procesu.
3. Lai uzsāktu nākamo iedzišanu, atkārtēšanas rokturis jāpavelk atpakaļ un pēc tam vēlreiz jāpabīda uz priekšu.

7.7 Režģu nostiprināšana (papildaprīkojums)

BRĪDINĀJUMS

Pārbaudiet, vai aizsarguzmava ir piemontēta pie iekārtas.

7.7.1 Elementa ievietošana stiprinājuma elementu vadotnes režģī (F8)

1. Saskaņā ar 7.4. sadaļu "Naglu magazīnas vai stiprinājuma elementu vadotnes (papildaprīkojuma) nomaiņa / montāža" piemontējiet stiprinājuma elementu vadotnes režģī.
2. Pagrieziet iekārtu tā, lai stiprinājuma elementu vadotne būtu pavērsta uz augšu.
3. No augšpuses iebīdīet stiprinājuma elementu iekārtā.

7.7.2 Kasetnes aptveres ievietošana 4

Pilnībā iebīdīet kasetnes aptverī sānu kasetnes magazīnas šaftā.

7.7.3 Nostiprināšana ar režģa stiprinājuma elementu vadotni 16

1. Taisnā leņķī piespiediet iekārtu pie darba virsmas.
2. Pavelkot mēlīti, aktivējiet iedzišanas procesu.
3. Ja iespējams, pārbaudiet iedzišanas dziļumu pēc tā izvirzījuma.
4. Ja tiek lietots atloka stiprinājums, uzskrūvējiet atbalsta atloku (griezes moments 5 līdz 8 Nm).
5. Lai uzsāktu nākamo iedzišanu, atkārtēšanas rokturis jāpavelk atpakaļ un pēc tam vēlreiz jāpabīda uz priekšu.

7.7.4 Naglas izvirzījuma pārbaude un iestatīšana 6 7

NORĀDĪJUMS

Pagriežot jaudas regulatoru, iestatiet iekārtas jaudu (1. pakāpe = minimums; 4. pakāpe = maksimums).

Pārbaudiet naglas izvirzījumu un jaudas iestatījumu saskaņā ar 7.2.5. sadaļas "Naglas izvirzījuma pārbaude un iestatīšana" norādījumiem.

7.8 Nostiprināšana ar stiprinājuma elementu vadotni F10

BRĪDINĀJUMS

Pārbaudiet, vai aizsarguzmava ir piemontēta pie iekārtas.

Nostiprināšana ar stiprinājuma elementu F10 jāveic tāpat kā nostiprināšana ar režģi (7.7. sadaļa).

7.9 Skārda profilu nostiprināšana pie betona (papildaprīkojums DX Kwik)

BRĪDINĀJUMS

Pārbaudiet, vai aizsarguzmava ir piemontēta pie iekārtas.

7.9.1 Elementa ievietošana stiprinājuma elementu vadotnē DX Kwik

1. Saskaņā ar 7.4. sadaļu "Naglu magazīnas vai stiprinājuma elementu vadotnes (papildaprīkojuma) nomaiņa / montāža" piemontējiet stiprinājuma elementu vadotni DX Kwik.
2. Pagrieziet iekārtu tā, lai stiprinājuma elementu vadotne būtu pavērsta uz augšu.
3. No augšpuses iebīdīet stiprinājuma elementu iekārtā.

7.9.2 Kasetnes aptveres ievietošana

NORĀDĪJUMS

Skārda profilu nostiprināšanai pie betona vislabāk ieteicams lietot zilās kasetnes. Detalizētus ieteikumus par kasetnēm meklējiet attiecīgajās atļaujās vai Hilti stiprinājumu rokasgrāmatā.

Pilnībā iebīdīet kasetnes aptverī sānu kasetnes magazīnas šaftā.

7.9.3 Nostiprināšana ar stiprinājuma elementu vadotni DX Kwik 17

1. Iepriekš izdariet urbumus skārda profilā un betona pamatnē ar savienojuma urbi.
2. Ievietojiet no stiprinājuma elementu vadotnes izvirzīto naglu iepriekš ieburtajā padziļinājumā un taisnā leņķī piespiediet iekārtu.
3. Pavelkot mēlīti, aktivējiet iedzišanas procesu.
4. Lai uzsāktu nākamo iedzišanu, atkārtēšanas rokturis jāpavelk atpakaļ un pēc tam vēlreiz jāpabīda uz priekšu.

7.9.4 Naglas izvirzījuma pārbaude un iestatīšana 6 7

NORĀDĪJUMS

Pagriežot jaudas regulatoru, iestatiet iekārtas jaudu (1. pakāpe = minimums; 4. pakāpe = maksimums).

Pārbaudiet naglas izvirzījumu un jaudas iestatījumu saskaņā ar 7.2.5. sadaļas "Naglas izvirzījuma pārbaude un iestatīšana" norādījumiem.

8 Apkope un uzturēšana



UZMANĪBU

Sakarā ar iekārtas konstrukciju regulāras lietošanas rezultātā funkcionāli svarīgas detaļas ar laiku kļūst netīras un nodilst. **Tādēļ obligāts priekšnoteikums iekārtas drošai un nevainojamai darbībai ir regulāra pārbaude un apkope. Mēs iesakām intensīvas lietošanas gadījumā veikt iekārtas tīrīšanu un virzuļa un virzuļa fiksatora pārbaudi katru dienu, taču ne retāk kā ik pēc 3000 elementu iedzišanas!**

BRĪDINĀJUMS

Iekārtā nedrīkst atrasties kasetnes. Naglu magazīnā vai stiprinājuma elementu vadotnē nedrīkst atrasties stiprinājuma elementi.

UZMANĪBU

Darba laikā iekārta var sakarst. Jūs varat apdedzināt rokas. **Apkopes un remonta darbu veikšanai lietojiet aizsargcimdus. Vispirms ļaujiet iekārtai atdzist.**

8.1 Iekārtas apkope

Regulāri notīriet iekārtas ārējās virsmas ar nedaudz samitrinātu drāniņu.

NORĀDĪJUMS

Nelietojiet tīrīšanai smidzināšanas iekārtu vai tvaika strūklu tīrītāju! Nekad nedarbiniet iekārtu, ja ir nosprostotas tās ventilācijas atveres! Nepieļaujiet svešķermeņu iekļūšanu iekārtas iekšienē.

8.2 Remonts

Regulāri pārlicinieties, vai visas iekārtas ārējās daļas ir nebojātas un visi elementi ir nevainojamā tehniskā stāvoklī. Nedarbiniet iekārtu, ja ir bojātas tās daļas vai vadības elementi nefunkcionē nevainojami. Uzdodiet veikt iekārtas remontu Hilti servisam.

Darbiniet iekārtu tikai ar ieteicamajām kasetnēm un jaudas iestāījumiem. Nepareiza kasetnes izvēle vai pārāk liels jaudas iestāījums var izraisīt priekšlaicīgu iekārtas daļas iziešanu no ierindas.

UZMANĪBU

DX iekārtās uzkrājušies netīrumi var būt kaitīgi Jūsu veselībai. **Tīrīšanas laikā jāsarģās no putekļu / netīrumu ieelpošanas. Putekļi/netīrumi nedrīkst piekļūt pārtikas produktiem. Pēc iekārtas tīrīšanas kārtīgi jānomazgā rokas. Iekārtas komponentu apkopei/eļļošanai nekādā gadījumā nedrīkst izmantot smērvielas. Tas var izraisīt iekārtas funkciju traucējumus. Lietojiet tikai un vienīgi Hilti aerosolu vai līdzvērtīgas kvalitātes produktus.**

8.2.1 Virzuļa pārbaude, virzuļa / virzuļa fiksatora nomaiņa

BRĪDINĀJUMS

Iekārtā nedrīkst atrasties kasetnes. Naglu magazīnā vai stiprinājuma elementu vadotnē nedrīkst atrasties stiprinājuma elementi.

UZMANĪBU

Pēc lietošanas attiecīgās detaļas var būt ļoti karstas. **Ja nepieciešams veikt zemāk aprakstītās apkopes darbības, kamēr iekārta vēl nav kārtīgi atdzisusi, obligāti jāvalkā aizsargcimdi.**

NORĀDĪJUMS

Vairākkārtējas neizdevušās stiprinājuma elementu iedzišanas rezultātā radīsies virzuļa un virzuļa fiksatora nodilums. Ja virzulim ir redzamas lūzuma vietas un/vai ir spēcīgi nodilušas virzuļa fiksatora elastomēra uzlikas, tas nozīmē, ka šo detaļu kalpošanas laiks ir beidzies.

NORĀDĪJUMS

Virzuļa un virzuļa fiksatora pārbaudes jāveic ar regulāriem intervāliem, taču ne retāk kā vienu reizi dienā.

NORĀDĪJUMS

Lai nomainītu virzuli un virzuļa fiksatoru, nepieciešams tikai noskrūvēt naglu magazīnu vai stiprinājuma elementu vadotni. Virzuļa vadotnes demontāža nav nepieciešama.

1. Noskrūvējiet stiprinājuma elementu vadotni (vai naglu magazīnu).
 2. Izvelciet kasetnes virzuli no virzuļa vadotnes.
 3. Pārbaudiet, vai virzulis nav bojāts. Ja ir manāmas bojājumu pazīmes, jānomaina virzulis UN virzuļa fiksators.
- NORĀDĪJUMS** Pārbaudiet, vai virzulis nav saliekts, parīpinot to pa gludu virsmu. Nelietojiet nodilušus virzuļus un neveiciet ar virzuli nekādas manipulācijas.
4. Ja nepieciešams nomainīt virzuli, izņemiet virzuļa fiksatoru no stiprinājuma elementu vadotnes.
 5. Pareizā stāvoklī ievietojiet jauno virzuļa fiksatoru montāžai paredzētajā stiprinājuma elementu vadotnē (vai naglu magazīnā).

NORĀDĪJUMS Apsmidziniet virzuļa fiksatora atveri ar Hilti aerosolu.

6. Iespraudiet virzuli iekārtā iemontētajā virzuļa vadotnē.
7. Līdz galam uzskrūvējiet stiprinājuma elementu vadotni (vai naglu magazīnu) uz virzuļa vadotnes un pagrieziet to atpakaļ, līdz tā nofiksējas.
8. Vienu reizi veiciet atkārtosšanu ar atkārtosšanas rokturi.

8.2.2 Virzuļa vadotnes tīrīšana 18 19 20 21

BRĪDINĀJUMS

Iekārtā nedrīkst atrasties kasetnes. Naglu magazīnā vai stiprinājuma elementu vadotnē nedrīkst atrasties stiprinājuma elementi.

UZMANĪBU

Pēc lietošanas attiecīgās detaļas var būt ļoti karstas. Ja nepieciešams veikt zemāk aprakstītās apkopes darības, kamēr iekārta vēl nav kārtīgi atdzisusi, obligāti jāvalkā aizsargcimdi.

1. Pārbaudiet, vai atkārtošanas rokturis atrodas pamatpozīcijā.
2. Noskrūvējiet naglu magazīnu (vai stiprinājuma elementu vadotni).
3. Izņemiet virzuli no virzuļa vadotnes un virzuļa fiksatoru no naglu magazīnas (vai stiprinājuma elementu vadotnes).
4. **UZMANĪBU Iekārta obligāti jātur ar virzuļa vadotni uz augšu, jo pretējā gadījumā virzuļa vadotne var izkrist.**
Atvāziet virzuļa vadotnes demontāžas sviru.
Izvelciet virzuļa vadotni no iekārtas.
5. **NORĀDĪJUMS** Tālāka virzuļa vadotnes demontāža nav jāveic.
6. Izīriiet virzuļa vadotnes atbalsta virsmu iekārtā.
7. Ar lielajām sukām notīriet virzuļa vadotnes iekšējās un ārējās virsmas.
8. Ar mazo, apaļo suku izīriiet regulēšanas tapas atveri un ar konisko suku - kasetnes gultni.

9. Apsmidziniet virzuļa vadotnes aizbīdni un sasaisti ar Hilti aerosolu.
10. Apsmidziniet iekārtā esošās tērauda daļas ar Hilti aerosolu.
NORĀDĪJUMS Ja Hilti aerosola vietā tiek lietotas citas smērvielas, iespējami gumijas daļu bojājumi.
11. Pārbaudiet, vai atkārtošanas rokturis atrodas pamatpozīcijā.
12. Iebīdiet virzuļa vadotni iekārtā.
13. Viegli piespiediet virzuļa vadotni.
NORĀDĪJUMS Sviru ir iespējams aizvērt tikai tad, ja virzuļa vadotne ir nedaudz (par dažiem mm) piespiesta. Ja svira vienalga neaizveras, meklējiet padomu 9. nodaļā "Traucējumu diagnostika".
14. Kad virzuļa vadotne ir viegli piespiesta, pielokiet sviru.
15. Iespraudiet virzuli virzuļa vadotnē.
16. Piemontējiet virzuļa fiksatoru.
17. Līdz galam uzskrūvējiet stiprinājuma elementu vadotni (vai naglu magazīnu) uz virzuļa vadotnes un pagrieziet to atpakaļ, līdz tā nofiksējas.
18. Iesmidziniet smērvielas iekārtas spraugā aiz atkārtošanas roktura, lai nodrošinātu kasetnes kustības mehānisma eļļošanu.
19. Vienu reizi veiciet atkārtošanu ar atkārtošanas rokturi.

8.3 Pārbaude pēc apkopes un uzturēšanas darbiem

Pēc apkopes un remonta darbiem un pirms kasetnes ielikšanas jāpārbauda, vai visas aizsargierīces ir nostiprinātas vietā un funkcionē nevainojami.

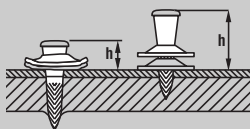
9 Traucējumu diagnostika

BRĪDINĀJUMS

Pirms traucējumu novēršanas darbiem iekārta jāizslēdz.

Problēma	Iespējamais iemesls	Risinājums
Netiek pārvietota kasetne.	Kasetnes aptvere ir bojāta. Iekārta ir bojāta.	Jānomaina kasetnes aptvere. Skat. 7.2. nodaļu 7.3.1 Kasetņu izņemšana no iekārtas 8 Jāsazinās ar Hilti.
Nav iespējams izņemt kasetnes aptveri.	Iekārta ir bojāta vai pārslogota pārmērīga iedzišanas biežuma dēļ.	Jāļauj iekārtai atdzist un vēlreiz jāmēģina uzmanīgi izņemt kasetnes aptveri. Jādemontē no iekārtas virzuļa vadotne. Ja kasetnes čaula ir iestrēgusi kasetnes gultnī, tā jāizņem ar tīrīšanas komplektā iekļautā apaļā stienģa palīdzību. Ja joprojām nav rezultātu, jāsaazinās ar Hilti. BRĪDINĀJUMS Nemēģiniet izvilkt kasetni no magazīnas aptveres vai iekārtas ar spēku.
Neotiek kasetnes aizdedze.	Iekārta nav kārtīgi piespiesta. Kasetnes aptvere ir tukša.	Iekārta jāpiespiež vēlreiz un jāaktivē jauns iedzišanas process. Kasetnes aptvere jāizslēdz un jāuzslēdz no jauna.

Problēma	Iespējamais iemesls	Risinājums
Nenotiek kasetnes aizdedze.	Magazīna vai stiprinājuma elementu vadotne nav kārtīgi uzskrūvēta.	Magazīna jāuzskrūvē dziļāk.
	Atsevišķa kasetne nav kvalitatīva.	Jāveic atkārtojuma kustība un jāpārstrādā pārējās kasetnes.
	Bojāta iekārta vai nekvalitatīva kasetne. Iekārta nav saremontēta.	Jāsazinās ar Hilti. Jāsaremontē iekārta. Skat. 7.2. nodaļu 8.2.2 Virzuļa vadotnes tīrīšana 18 19 20 21
Nepietiekams naglas izvirzījums.	Iestiprināts blakus balstam.	Jāatzīmē balsta pozīcija un jāatkārto iestiprināšana balstā. Jāpielabo konstrukcija tā, lai skārdus cieši piekļautos pamatnei.
	Ielikts nepareizs virzulis.	Jānodrošina pareiza virzuļa aprīkojuma / elementu kombinācija.
	Virzulis ir nodilis.	Jānomaina virzulis un virzuļa fiksators.
Pārāk liels naglas izvirzījums.	Nostiprināts uz balsta pārejas.	2. Jānostiprina stiprinājuma punkts no jauna.
	Izmaiņas pamatvirsmas biezumā un/vai pamatvirsmas stiprībā.	Jāpalielina jauda saskaņā ar ieteikumiem par kasetnēm vai jāieliek kasetne ar lielāku jaudu.
	Nepietiekama jauda.	Jāpalielina jauda saskaņā ar ieteikumiem par kasetnēm vai jāieliek kasetne ar lielāku jaudu.
	Iekārta ir pārāk netīra.	Jāiztīra iekārta.
	Virzulis ir nodilis.	Jānomaina virzulis un virzuļa fiksators.
	Iekārta ir bojāta.	Jāsazinās ar Hilti.
Spēcīgi svārstās naglas izvirzījums.	Iekārta ir piespiesta ar grūdienu.	Jāizvairās no asas piespiešanas kustības.
	Nevienmērīga, daļēji nepilnīga atkārtojuma kustība.	Pilnīga atkārtojuma kustība.
	Nevienmērīga iekārtas jauda.	Jāiztīra iekārta. Jānomaina nodilušās daļas. Ja svārstības saglabājas, jāsažinās ar Hilti.
Cirpes izraisīti lūzumi.	Virzuļa smaile ir nodilusi vai daļēji izlūzusi.	Jānomaina virzulis un virzuļa fiksators.
	Nostiprināts uz balsta pārejas.	2. Nostiprināšanas punkts jāizvēlas blakus.
	Palielināts pamatvirsmas biezums un/vai pamatvirsmas stiprība.	Jāpārbauda ieteikumi par elementiem. Ja izvēle ir pareiza, jāpalielina jauda saskaņā ar ieteikumiem par kasetnēm vai jāieliek kasetne ar lielāku jaudu.
Iekārta neatbīdās.	Virzulis iekeras fiksatorā.	Jānomaina virzulis un virzuļa fiksators.



Problēma	Iespējamais iemesls	Risinājums
Iekārta neatbīdās.	Iekārta ir pārāk netīra.	Jāveic virzuļa vadotnes tīrīšana. Jāpārbauda, vai virzulis ir taisns. Jāiztīra iekārta. Skat. 7.2. nodaļu 8.2.2 Virzuļa vadotnes tīrīšana 18 19 20 21
	Kasetnes aptvere iestrēgst, iekārta ir pārķarsusi.	Skat. traucējumu „Nav iespējams izņemt kasetnes aptveri“. Jāievēro maksimālā iedzišanas frekvence.
Aktivēšana nav iespējama.	Nav kārtīgi veikta atkārtošana, atkārtošanas rokturis neatrodas izejas pozīcijā.	Jāveic atkārtošana pilnībā, lai atkārtošanas rokturis atgrieztos izejas pozīcijā.
	Aktivēšana notiek pirms pilnīgas piespiešanas.	iekārta pilnībā jāpiespiež un tad jāveic aktivēšana.
	Stiprinājuma elementu kustības traucējumi.	Skat. 7.2. nodaļu 7.2.1 Stiprinājuma elementu aptveres ievietošana magazīnā 2 Skat. 7.2. nodaļu 7.3.2 Stiprinājuma elementu aptveres izņemšanas no magazīnas ierīces 9
	Magazīna vai stiprinājuma elementu vadotne nav pilnībā uzskrūvēta.	Magazīna un atsevišķo stiprinājuma elementu vadotne jāuzskrūvē pilnībā.
	Iekārta ir bojāta.	Jāsazinās ar Hilti.
	Iekārta ir pārāk netīra.	Jāveic virzuļa vadotnes tīrīšana. Jāpārbauda, vai virzulis ir taisns. Jāiztīra iekārta. Skat. 7.2. nodaļu 8.2.2 Virzuļa vadotnes tīrīšana 18 19 20 21
Netiek iedzīts stiprinājuma elements.	Aktivēšana notiek pirms pilnīgas piespiešanas.	iekārta pilnībā jāpiespiež un tad jāveic aktivēšana.
	Nav kārtīgi veikta atkārtošana, atkārtošanas rokturis neatrodas izejas pozīcijā.	Jāveic atkārtošana pilnībā, lai atkārtošanas rokturis atgrieztos izejas pozīcijā.
	Stiprinājuma elements nav iedzīts.	Jāieliek stiprinājuma elements iekārtā.
	Bojāts naglu kustības mehānisms magazīnā.	Jāsazinās ar Hilti.
	Virzulis nav ielikts.	Virzulis jāieliek iekārtā.
	Virzulis ir salūzis.	Jānomaina virzulis un virzuļa fiksators.
	Virzulis nepārvietojas atpakaļ.	Jāsazinās ar Hilti.
	Stiprinājuma vadotne ir netīra.	Jāiztīra stiprinājuma elementu vadotne un montāžas daļas ar šim nolūkam paredzētajām sukām. Jāieelpo ar Hilti aerosolu.
Stiprinājuma elementi ir iestrēguši vadotnē.	Jāizņem iestrēgušie stiprinājuma elementi. Jāizņem magazīnas aptveres plastmasas atliekas no iekārtas magazīnas. Jāizvairās no cirpes lūzumiem (skat. iepriekš). Jāizvairās no elementu iedzišanas blakus balstiem; nepieciešamības gadījumā jāatzīmē precīzāk.	
Nav iespējams pilnībā uzskrūvēt stiprinājuma elementu vadotni.	Virzuļa fiksators ir ievietots otrādi.	Jānoskrūvē stiprinājuma elementu vadotne. Jāievieto virzuļa fiksators pareizā virzienā un jāuzskrūvē stiprinājuma elementu vadotne atpakaļ vietā.

Problēma	Iespējamais iemesls	Risinājums
Nav iespējams pilnībā uzskrūvēt stiprinājuma elementu vadotni.	Virzuļa vadotne aiz savienojuma vīt-nes ir netīra.	Jānotīra un jāieeļļo vītne.
Nav iespējams iemontēt virzuli.	Netīra iekārta, sevišķi virzuļa vadotne.	Jāiztīra virzuļa vadotne un iekārta jāsamontē no jauna.
	Bīdītāja izvirkājums atrodas virzuļa vadotnē un bloķē virzuļa kustību.	Izvirkājums jāpavelk uz priekšu, lai tas varētu nofiksēties.
Nav iespējams iemontēt virzuļa vadotni.	Aizvērta svira.	Jāatver svira.
	Nepareizi novietota virzuļa vadotne.	Virzuļa vadotne jāievieto pareizā stāvoklī.
Traucēta atkārtējuma kustība.	Iekārta ir netīra.	Jāiztīra iekārta. Skat. 7.2. nodaļu 8.2.2 Virzuļa vadotnes tīrīšana 18 19 20 21

10 Nokalpojušo instrumentu utilizācija



Hilti iekārtas ir izgatavotas galvenokārt no otrreiz pārstrādājamiem materiāliem. Priekšnosacījums otrreizējai pārstrādei ir atbilstoša materiālu šķirošana. Daudzās valstīs Hilti ir izveidojis sistēmu, kas pieļauj veco ierīču pieņemšanu otrreizējai pārstrādei. Jautājiet Hilti klientu apkalpošanas servisā vai savam pārdevējam – konsultantam. Ja vēlaties paši nodot iekārtu šķīrotai materiālu utilizācijai: ievērojiet reģionālos un nacionālos normatīvus un priekšrakstus.

11 Iekārtu ražotāja garantija

Hilti garantē, ka piegādātajai iekārtai nepiemīt ar materiālu un izgatavošanas procesu saistīti defekti. Šī garantija ir spēkā ar nosacījumu, ka iekārta tiek pareizi lietota, kopta un tīrīta saskaņā ar Hilti lietošanas instrukcijas noteikumiem un ka tiek ievērota tehniskā vienotība, respektīvi, kombinācijā ar iekārtu lietoti tikai oriģinālie Hilti patērīna materiāli, piederumi un rezerves daļas vai citi, kvalitātes ziņā līdzvērtīgi produkti.

Šī garantija ietver bojāto daļu bezmaksas remontu vai nomaiņu visā iekārtas kalpošanas laikā. Uz daļām, kas ir pakļautas dabīgam nodilumam, šī garantija neattiecas.

Tālākas pretenzijas netiek pieņemtas, ja vien tas nav pretrunā ar saistošiem nacionāliem normatīviem. Se-

višķi Hilti neuzņemas nekādu atbildību par tiešiem vai netiešiem bojājumiem vai to sekām, zaudējumiem vai izmaksām, kas rodas saistībā ar iekārtas izmantošanu noteiktiem mērķiem vai šādas izmantošanas neiespējamību. Neatrunātas garantijas par iekārtas izmantošanu vai piemērotību noteiktiem mērķiem tiek izslēgtas.

Lai veiktu remontu vai daļu nomaiņu, iekārta vai bojātās daļas uzreiz pēc defekta konstatēšanas nekavējoties jānosūta Hilti tirdzniecības organizācijai.

Šī garantija aptver pilnīgi visas garantijas saistības, ko uzņemas Hilti, un aizstāj jebkādus agrākos vai paralēlos paskaidrojumus un mutiskas vai rakstiskas vienošanās saistībā ar garantiju.

12 EK atbilstības deklarācija (oriģināls)

Apzīmējums:	Stiprinājuma elementu iedzišanas iekārta
Tips:	DX 76
Paaudze:	01
Konstruēšanas gads:	2004

Mēs uz savu atbildību deklarējam, ka šis produkts atbilst šādām direktīvām un normām: 2006/42/EK, 2011/65/ES.

Hilti Corporation, Feldkircherstrasse 100,
FL-9494 Schaan

Norbert Wohlwend

Head of Quality & Processes Management
BU Direct Fastening
04/2013

Tassilo Deinzer

Head of BU Direct Fastening
BU Direct Fastening
04/2013

Tehniskā dokumentācija:

Hilti Entwicklungsgesellschaft mbH
Zulassung Elektrowerkzeuge
Hiltistrasse 6
86916 Kaufering
Deutschland

lv

13 CIP pārbaudes apliecinājums

Hilti DX 76 ir sertificēta parauga konstrukcija un pārbaudīta sistēma. Sakarā ar to iekārta ir marķēta ar kvadrātiskas formas PTB sertifikācijas zīmi, kurā ierakstīts atļaujas numurs S 813. Tādējādi Hilti garantē iekārtas atbilstību

sertificētajam konstrukcijas veidam. Par nepieļaujamiem trūkumiem, kas konstatēti lietošanas gaitā, jāziņo sertifikācijas iestādes (PTB) kompetentajai amatpersonai, kā arī Pastāvīgās starptautiskās komisijas (C.I.P.) birojam.

14 Lietotāja veselība un drošība

14.1 Informācija par troksni

Montāžas iekārta ar kasetnēm

Tips	DX 76
Modelis	Sērija
Kalibrs	6,8/18 zilā krāsā
Jaudas iestatījums	4
Lietojums	Nostiprināšana pie 8 mm tērauda (400 MPa) ar X-ENP 19 L15MX

Deklarētās skaņas raksturlielumu mērījumu vērtības saskaņā ar Mašīnu direktīvu 2006/42/EK apvienojumā ar standartu E DIN EN 15895

Skaņas stipruma līmenis, $L_{WA, 1S}^1$	114 dB (A)
Skaņas spiediena emisijas līmenis darba vietā, $L_{pA, 1s}^2$	110 dB (A)
Maksimālais trokšņa spiediena līmenis, $L_{pC, peak}^3$	139 dB (C)

¹ $< \pm 2$ dB (A)

² $< \pm 2$ dB (A)

³ ± 2 dB (C)

Ekspluatācijas un uzstādīšanas nosacījumi: montāžas pistoles uzstādīšana un ekspluatācija atbilstīgi E DIN EN 15895-1 ierobežoti atstarojošā firmas Müller-BBM GmbH testēšanas telpā. Apkārtējās vides nosacījumi testēšanas telpā atbilst DIN EN ISO 3745.

Pārbaudes metode: atbilstīgi E DIN EN 15895, DIN EN ISO 3745 un DIN EN ISO 11201, pielietojot aptverošu mērvirsmu virs atstarojošas plaknes akustiskā brīvajā laukā.

PIEZĪME Izmērītā trokšņa emisija un iespējamā šo mērījumu kļūda attiecas uz mērījumu laikā sagaidāmo skaņas raksturlielumu augšējām robežvērtībām.

Ja mainās darba apstākļi, emisijas rādītāji var atšķirties.

14.2 Vibrācija

Saskaņā ar direktīvu 2006/42/EK norādāmā vibrāciju kopējā vērtība nepārsniedz $2,5 \text{ m/s}^2$.

Papildinformāciju par lietotāja veselību un drošību var atrast Hilti interneta vietnē www.hilti.com/hse.

DX 76 Viniakalė

Prieš pradėdant naudoti įrankiu pirmą kartą, labai svarbu perskaityti jo eksploatacijos instrukciją.

Šią instrukciją visuomet laikykite kartu su įrankiu.

Perduodami įrankį kitiems asmenims, būtinai pridėkite ir šią instrukciją.

Turinys	Puslapis
1 Saugos nurodymai	132
2 Bendrieji nurodymai	134
3 Aprašymas	135
4 Priedai, sunaudojamos medžiagos	137
5 Techniniai duomenys	137
6 Prieš pradėdant naudotis	138
7 Darbas	138
8 Techninė priežiūra ir remontas	141
9 Gedimų aptikimas	143
10 Utilizacija	145
11 Gamintojo teikiama garantija	146
12 EB atitikties deklaracija (originali)	146
13 CIP bandymų patvirtinimas	146
14 Naudotojo sveikata ir saugumas	147

1 Šiais skaitmenimis žymimos nuorodos į atitinkamas iliustracijas. Teksto iliustracijos pateiktos atlenkiamuose

viršelio puslapiuose. Studijuodami instrukciją, laikykite juos atverstus.

Šios naudojimo instrukcijos tekste žodis „priedais“ visada reiškia viniakalę DX 76.

Prietaiso mazgai ir valdymo elementai 1

Prietaisas DX 76

- ① Vinių dėtuvė MX 76
- ② Prispaudimo strypelis
- ③ Apsauginis montažinės angos gaubtelis
- ④ Užtaisymo rankena
- ⑤ Šovinių dėtuvės šachta
- ⑥ Užtaisymo kontrolės langelis
- ⑦ Galios reguliatorius
- ⑧ Galios reguliatoriaus rodyklė
- ⑨ Dangtelis (atraminė pagalvėlė)
- ⑩ Korpuso apvalkalas
- ⑪ Minkšta rankena
- ⑫ Gaidukas
- ⑬ Stūmoklio įvorės išmontavimo svirtis
- ⑭ Paslanki įvorė
- ⑮ Dėtuvės korpusas
- ⑯ Vinių dėtuvės apsauginis gaubtelis
- ⑰ Atrama (elemento)
- ⑱ Vėdinimo plyšiai
- ⑲ Vinių kreipiančioji X-76-F-15
- ⑳ Prietaiso apsauginis gaubtelis

Susidėvinčios dalys

- ⑲ Stūmoklis
- ⑳ Stūmoklio stabdiklis

1 Saugos nurodymai

1.1 Pagrindinė informacija apie saugų darbą

Būtina griežtai laikytis ne tik darbo saugos taisyklių, pateiktų atskiruose šios instrukcijos skyriuose, bet ir toliau pateiktų nurodymų.

1.1.1 Naudojami šoviniai

Naudokite tik „Hilti“ arba analogiškos kokybės šovinius

„Hilti“ įrankiuose naudojant prastos kokybės šovinius, gali susidaryti nesudegusio parako apnašų, kurios gali netikėtai sprogti ir sunkiai sužaloti naudotoją bei kitus netoliese esančius asmenis. Šoviniai turi tenkinti vieną iš toliau nurodytų minimalių reikalavimų:

- a) gamintojas turi galėti įrodyti, kad jo produktas sėkmingai išlaikė bandymus pagal ES normą EN 16264 arba
- b) produktas privalo turėti CE atitikties ženklą (ES privalomas nuo 2013 m. liepos mėnesio).

NURODYMAS

Visi „Hilti“ viniakalėlių šoviniai yra sėkmingai testuoti pagal EN 16264. Normoje EN 16264 apibrėžti bandymai yra sertifikavimo įstaigos atliekami sisteminiai bandymai, kurių objektas yra specifiniai šovinių ir juos naudojančių įrankių deriniai. Įrankio pavadinimas, sertifikavimo įstaigos pavadinimas ir sisteminio bandymo numeris yra atspausdinti ant šovinių pakuotės.

Taip pat žr. pakuotės pavyzdį tinklalapyje www.hilti.com/dx-cartridges

1.1.2 Žmoniai sauga

- a) **Būkite atidūs, sutelkite dėmesį į darbą ir, dirbdami tiesioginio montavimo prietaisu, vadovaukitės sveika nuovoka. Nedirbkite su prietaisu, jei esate pavargę arba vartojote narkotikus, alkoholi**

ar vaistus. Akimirksnį nuo darbo atitrauktas dėmesys gali tapti rimtų sužalojimų priežastimi.

- b) Venkite nepatogių kūno padėčių. Visuomet dirbkite stovėdami ant stabilaus pagrindo ir neprarasite pusiausvyros.
- c) Draudžiama prietaisą nukreipti į save ar į kitą asmenį.
- d) Nespauskite prietaiso prie savo rankos ar kitos kūno dalies (ar kito asmens).
- e) Dirbdami neleiskite pašaliniais žmonėms, ypač vaikams, būti prietaiso veikimo zonoje.
- f) Kai dirbdami prietaisą laikote rankose, jos turi būti sulenkintos (neištiestos).

1.1.3 Atsargus tiesioginio montavimo prietaisų naudojimas ir elgesys su jais

- a) Naudokite tinkamą prietaisą. Nenaudokite prietaiso nenumatytiems tikslams, o tik pagal paskirtį ir tik tuomet, kai prietaisas yra nepriekaištingos techninės būklės.
- b) Prietaisą prie darbinio paviršiaus spauskite tik pridėję stačiu kampu.
- c) Įkrauto prietaiso niekuomet nepalikite be priežiūros.
- d) Prieš atlikdami valymo ir techninės priežiūros darbus, prieš pertraukdami darbą bei prieš sandėliuodami, prietaisą visuomet ištuštinkite (išimkite šovinius ir tvirtinimo elementus/vinis).
- e) Nenaudojami prietaisai turi būti ištuštinami ir saugomi sausoje, aukščiau pakeltoje arba užrakintoje vaikams nepasiekiamoje vietoje.
- f) Nuolat tikrinkite, ar prietaisas ir jo reikmenys nėra pažeisti. Prieš tolesnį naudojimą turi būti rūpestingai tikrinama, ar apsauginiai įtaisai bei lengvai susidėvėjęs dalys yra nepriekaištingos būklės ir ar atlieka savo funkcijas. Patikrinkite, ar judančios prietaiso dalys veikia be priekaištų, nestranga ir ar jos nėra pažeistos. Norint užtikrinti nepriekaištingą prietaiso eksploataciją, visos jo dalys turi būti tinkamai sumontuotos ir atitikti visus reikalavimus. Pažeisti apsauginiai įtaisai ar kitos dalys turi būti kvalifikuotai suremontuoti arba pakeisti „Hilti“ techniniame centre, jei naudojimo instrukcijoje nenurodyta kitaip.
- g) Gaiduką spauskite tik tuomet, kai prietaisas visiškai ir statmenai prispaustas prie pagrindo.
- h) Kaldami prietaisą visuomet laikykite tvirtai ir stačiu kampu į pagrindą. Taip bus išvengta tvirtinimo elemento nukrypimo nuo pagrindo medžiagos.
- i) Niekuomet nebandykite tvirtinimo elementą (vini) įkalti antruoju bandymu – elementas gali lūžti arba įstrigti.
- j) Nebandykite įkalti tvirtinimo elementą (vini) į esamas skylės, nebent „Hilti“ tai rekomenduotų.
- k) Visuomet laikykitės naudojimo direktyvų.
- l) Jeigu yra įmanoma, naudokite apsauginius gaubtelius.
- m) Dėtvėvės ar vinies kreipiančiosios netraukite atgal ranka, nes, priklausomai nuo aplinkybių, prietaisas gali tapti paruoštas darbui. Tokioje parengties padėtyje galimas elemento įkallimas į kūno dalis.

1.1.4 Darbo vieta



- a) Pasirūpinkite, kad darbo zona būtų gerai apšviesta.
- b) Prietaisą naudokite tik gerai vėdinamose darbo zonose.
- c) Nekalkite tvirtinimo elementų į tam netinkamą pagrindą medžiagą. Į medžiagą, kuri yra per kieta, pavyzdžiui, suvirintas ir liejamasis plienas. Į medžiagą, kuri yra per minkšta, pavyzdžiui, mediena ir gipso kartonas. Į medžiagą, kuri yra per trapi, pavyzdžiui, stiklas ir apdailos plytelės. Kalamas į tokias medžiagas tvirtinimo elementas gali lūžti, o medžiaga gali suežižėti ar būti pramušta kiaurai.
- d) Nekalkite vinių į stiklą, marmurą, plastiką, bronzą, žalvarį, varį, uolieną, izoliacines medžiagas, tuščiaavidures plytas, keramines plytas, ploną skardą (< 3 mm), ketų ir dujų betoną.
- e) Prieš kaldami tvirtinimo elementus (vini) įsitinkite, kad už darbo zonos ar po ja nėra žmonių.
- f) Jūsų darbo zona visada turi būti tvarkinga. Pašalinkite visus daiktus, dėl kurių galėtumėte susizaloti. Dėl netvarkos darbo vietoje gali kilti nelaimingų atsitikimų.
- g) Prižiūrėkite rankenas, kad jos visada būtų sausos, švarios ir neriebaluotos.
- h) Avėkite neslystantį apavą.
- i) Įvertinkite aplinkos įtaką. Saugokite prietaisą nuo kritulių, nenaudokite jo drėgnoje ar šlapioje aplinkoje. Nenaudokite prietaiso degioje arba sprogiroje aplinkoje.

1.1.5 Mechaninės saugos priemonės



- a) Pasirinkite tinkamus vinies kreipiančiosios ir tvirtinimo elementų (vinių) derinius. Naudojant netinkamą derinį, galimi sužalojimai, prietaiso gedimai ir/arba blogesnė tvirtinimo kokybė.
- b) Naudokite tik tokius tvirtinimo elementus, kurie skirti ir leidžiami naudoti šiam prietaisui.
- c) Jeigu dėtvėvės prietaise sumontuota netinkamai, tvirtinimo elementų (vinių) į ją nedėkite. Tvirtinimo elementai gali būti išsviesti į šalį.
- d) Nenaudokite susidėvėjusio stūmoklio stabdiklio ir neatlikite su stūmokliu jokių manipuliacijų.

It

1.1.6 Šiluminės saugos priemonės



- Jeigu prietaisas perkaito, leiskite jam atvėsti. Neviršykite didžiausio leistino kalimo (šaudymo) dažnio.
- Kai turite atlikti techninės priežiūros darbus neatvėsinę prietaiso, būtinai mūvėkite apsaugines pirštines.
- Pastebėję, kad lydosi plastikinė šovinių juosta, leiskite prietaisui atvėsti.

1.1.7 Sprogimo pavojus!



- Naudokite tik tokius šovinius, kuriuos leidžiama naudoti šiame prietaise.

- Šovinių apkabą iš prietaiso išimkite atsargiai.
- Nebandykite išimti šovinius iš dėtuvės juostos ar iš prietaiso naudodami jėgą.
- Nenaudoti šoviniai turi būti saugomi sausoje, aukščiau pakeltoje arba užrakintoje vaikams nepasiekiamoje vietoje.

1.1.8 Asmeninės apsaugos priemonės



Naudotojas ir netoliese esantys asmenys darbo su prietaisu metu ir šalinant prietaiso gedimus turi naudoti tinkamus apsauginius akinius, apsauginį šalną, ausines.

2 Bendrieji nurodymai

2.1 Signaliniai žodžiai ir jų reikšmė

PAVOJUS

Šis įspėjimas vartojamas norint atkreipti dėmesį į pavojingą situaciją, kai galite susižaloti ar net žūti.

ĮSPĖJIMAS

Šis žodis vartojamas, siekiant įspėti, kad nesilaikant instrukcijos reikalavimų kyla rimto sužeidimo ar mirties pavojus.

ATSARGIAI

Šis žodis vartojamas norint atkreipti dėmesį į pavojingą situaciją, kuri gali tapti lengvo žmogaus sužalojimo, prietaiso gedimo ar kito turto pažeidimo priežastimi.

NURODYMAS

Naudojimo nurodymai ir kita naudinga informacija.

2.2 Piktogramų ir kitų nurodymų paaiškinimai

Įspėjamieji ženklai



Bendro pobūdžio įspėjimas



Įspėjimas: sprogiosios medžiagos



Įspėjimas: karštas paviršius

Įpareigojantys ženklai



Užsidėkite apsauginius akinius



Užsidėkite apsauginį šalną



Naudokite ausines



Užsimaukite apsaugines pirštines



Prieš naudojant perskaityti instrukciją

Identifikaciniai prietaiso duomenys

Prietaiso tipas ir serijos numeris yra nurodyti prietaiso firminėje duomenų lentelėje. Užsirašykite šiuos duomenis savo instrukcijoje ir visuomet juos nurodykite kreipdamiesi į mūsų atstovybę ar techninį centrą.

Tipas: _____

Karta: 01 _____

Serijos Nr.: _____

3 Aprašymas

3.1 Naudojimas pagal paskirtį

Prietaisas skirtas profesionaliam naudotojui – į plieną kalti tvirtinimo elementus vykdant pagrindinius ir pagalbinus statybos darbus.

Prietaisą naudoti leidžiama tik jį valdant rankomis.

Prietaisą keisti ar modifikuoti draudžiama.

Prietaiso negalima naudoti sprogoje arba degioje aplinkoje, išskyrus tuos atvejus, kai jis yra pritaikytas naudoti tokiomis sąlygomis.

Kad sumažintumėte susižalojimo pavojų, naudokite tik originalius „Hilti“ firmos arba tapačios kokybės tvirtinimo elementus, šovinius, reikmenis ir atsargines dalis.

Laikykitės naudojimo instrukcijoje pateiktų nurodymų dėl darbo su įrenginiu, jo priežiūros ir remonto.

Netinkamai, neapmokyto personalo arba ne pagal paskirtį naudojamam prietaisui ir jo pagalbinėms priemonėms gali būti pavojingi.

Prietaisu naudotis, jį techniškai prižiūrėti ir remontuoti leidžiama tik instruktuojamam personalui. Šie darbuotojai turi būti atskirai supažindinti su galimais pavojais.

Kaip ir visose parakinėse viniųakalėse, čia prietaisas, dėtuvė, šoviniai ir tvirtinimo elementai sudaro techniškai vientisą sistemą. Tai reiškia, kad elementų tvirtinimą šia sistema be problemų galima atlikti tik tada, kai naudojami specialiai šiam prietaisui pagaminti „Hilti“ tvirtinimo elementai ir šoviniai arba lygiavertės kokybės produktai. Tik laikantis šių sąlygų, galioja „Hilti“ pateiktos tvirtinimo bei naudojimo rekomendacijos.

Prietaise yra numatytos 5 apsaugos. Jos užtikrina prietaiso naudotojo ir jo darbo aplinkos saugumą.

3.2 Stūmoklio su stabdančiu žiedu principas

Užtaiso energija perduodama į stūmoklį, kurio pagreitinta masė stumia vinį (tvirtinimo elementą) į medžiagą (pagrindą). Dėl naudojamo stūmoklio principo šis prietaisas priskiriamas lėtiems įrankiams („Low Velocity Tool“). Maždaug 95 % kinetinės energijos sukaupta stūmoklyje. Kadangi įkalimo proceso pabaigoje stūmoklis bet kuriuo atveju prietaise yra stabdomas, perteklinė energija lieka prietaise. Taip, tinkamai naudojant, pavojingi peršovimai kiauurai su didesniu kaip 100 m/s elemento išėjimo greičiu praktiškai negalimi.

3.3 Apsauga nuo kritimo

Apsauga nuo kritimo techniškai realizuota padėgimo mechanizmą susiejant su spaudimo eiga. Todėl prietaisui atsitrenkus į kietą pagrindą užtaiso padėgimas neįvyksta, nepriklausomai nuo to, kokiu kampu prietaisas krinta.

3.4 Gaiduko nuspaudimo apsauga

Gaiduko apsauga užtikrina, kad vien tik nuspaudus gaiduką, įkalimo procesas neprasisdės. Įkalimo procesas gali prasidėti tik tada, kai prietaisas yra dar ir visiškai prispaustas prie kieto pagrindo.

3.5 Prispaudimo apsauga

Kad prispaudimo apsauga būtų nuimta, yra reikalinga mažiausiai 50 N spaudimo jėga, todėl įkalimo procesas gali vykti tik tada, kai prietaisas yra visiškai prispaustas prie pagrindo.

3.6 Paleidimo apsauga

Be to, prietaise įrengta paleidimo apsauga. Tai reiškia, kad paspaudus gaiduką ir po to prispaudus prietaisą prie pagrindo, įkalimo procesas nebus paleistas. Procesas gali būti paleistas tik tada, kai prietaisas pirma tinkamai prispaudžiamas prie pagrindo ir tik po to paspaudžiamas gaidukas.

3.7 Prietaisas DX 76, naudojimo sritys ir tvirtinimo elementų programa

Profiliuotos skardos tvirtinimas prie plieno; plieno storis 6 mm ir daugiau

Programa	Pavadinimas užsakyme	Pastaba
Tvirtinimo elementai (vinys)	X-ENP-19 L15 MX	10 vinių dėtuvės juostoje
Vinių dėtuvė	MX 76	
Stūmoklio komplektas	X-76-P-ENP	

Programa	Pavadinimas užsakyme	Pastaba
Tvirtinimo elementai (vinys)	X-ENP-19 L15	Pavienė vinis

It

Programa	Pavadinimas užsakyme	Pastaba
Pavienių vinių kreipiančioji	X-76-F-15	

Profiliuotos skardos tvirtinimas prie plieno; plieno storis 3–6 mm

Programa	Pavadinimas užsakyme	Pastaba
Tvirtinimo elementai (vinys)	ENP2K-20 L15 MX	10 vinių dėtuvės juostoje
Vinių dėtuvė	MX 76	
Stūmoklis	X-76-P-ENP2K	

Programa	Pavadinimas užsakyme	Pastaba
Tvirtinimo elementai (vinys)	ENP2K-20 L15	Pavienė vinis
Pavienių vinių kreipiančioji	X-76-F-15-P	

Inkarinių atramų tvirtinimas

Programa	Pavadinimas užsakyme	Pastaba
Tvirtinimo elementai (vinys)	X-ENP-21 HVB	Po 2 vnt. kiekvienai inkarinei atramai
Inkarinės atramos	X-HVB 50/ 80/ 95/ 110/ 125/ 140	
Vinės kreipiančioji	X-76-F-HVB	
Stūmoklis	X-76-P-HVB	

Profiliuotos skardos tvirtinimas prie betono (DX-Kwik)

Programa	Pavadinimas užsakyme	Pastaba
Tvirtinimo elementai (vinys)	NPH2-42 L15	
Vinės kreipiančioji	X-76-F-Kwik	
Stūmoklis	X-76-P-Kwik	
Atraminis gražtas	TX-C 5/23	Atraminis gražtas pirminiam pragrežimui

Tvirtinimo elementai (10 mm skersmens) grotelėms tvirtinti

Programa	Pavadinimas užsakyme	Pastaba
Tvirtinimo elementai (vinys)	EM8-15FP10, X-CRM8-15 FP10/ X-CR M8	Skirta X-FCM, X-FCM-F, X-FCM-R, X-FCP-F, X-FCP-R instaliuoti
Vinės kreipiančioji	X-76-F-10	
Stūmoklis	X-76-P-GR	
Stumtuvas	Stumtuvas	Tvirtinimo elementams stumti atgal
Centravimo įtaisas	Centravimo įtaisas 25	Vinės kreipiančiajai X-76-F-10
Centravimo įtaisas	Centravimo įtaisas 30	Vinės kreipiančiajai X-76-F-10

Tvirtinimo elementai (10 mm skersmens) įvairiems tvirtinimo prie plieninio pagrindo ir betono atvejams

Programa	Pavadinimas užsakyme	Pastaba
Tvirtinimo elementai (vinys)	DS 27-37, DSH 57 P10	Vinys medinėms juostelėms prie betono ir plieno tvirtinti; 62 mm ir ilgesnės vinys turi būti įkaltos iš anksto
Tvirtinimo elementai (vinys)	EDS 19-27 P10	Vinys medinėms juostelėms prie plieno tvirtinti

Programa	Pavadinimas užsakyme	Pastaba
Tvirtinimo elementai (vinys)	EW10-30 P10, X-EW10-27 P10, X-EM10-24 P10	10 mm vinys plieniniams pagrindams
Vinies kreipiančioji	X-76-F-10	
Stūmoklis	X-76-P-10	

4 Priedai, sunaudojamos medžiagos

Pavadinimas	Artikulo numeris, aprašymas
„Hilti“ lagaminas	DX 76 KD, didelis, su užrakinama šovinių dėžute
Lagaminas prietaisui su dėtuve	DX 76 MX
Valymo rinkinys	DX 76 / 860-ENP, Plokščias šepetėlis, apvalus šepetėlis \varnothing 25, apvalus šepetėlis \varnothing 8, stūmiklis, šluostė
„Hilti“ aerosolinė alyva	
Stūmoklio ir stūmoklio stabdiklio rinkinys	X-76-PS
Dėtuvės ir pavienių vinių kreipiančiųjų apsauginis gaubtelis	
Kontrolinis kalibras DX 76	

Šovinių tipas	Pavadinimas užsakyme
Stipriausias užtaisas (JAV)	6.8/18 M juodi (purpuriniai)
Ypač stiprus užtaisas	6.8/18 M juodi
Labai stiprus užtaisas	6.8/18 M raudoni
Stiprus užtaisas	6.8/18 M mėlyni
Silpnas užtaisas	6.8/18 M žali

5 Techniniai duomenys

Gamintojas pasilieka teisę vykdyti techninius pakeitimus!

NURODYMAS

*nenutrūkstamai eksploatacijai.

Prietaisas	DX 76 MX
Svoris su dėtuve	4,35 kg
Matmenys (I × P × A)	450 mm × 101 mm × 352 mm
Dėtuvės talpa	10 elementų
Spaudimo eiga	32 mm
Spaudimo jėga	190...240 N
Naudojimo temperatūra / aplinkos temperatūra	-15...+50 °C
Maksimalus vidutinis kalimo (šaudymo) dažnis*	600/h

6 Prieš pradėdant naudotis



NURODYMAS

Prieš eksploatacijos pradžią būtina perskaityti naudojimo instrukciją.

6.1 Prietaiso tikrinimas

Išitikinkite, kad prietaise nėra šovinių juostos. Jeigu prietaise yra šovinių juosta, daug kartų naudodami užtaisymo rankeną stumkite ją atgal tol, kol juostos išėjimo vietoje galėsite ją paimti ranka ir laisvai ištraukti.

Tikrinkite, ar išorinės prietaiso dalys nėra pažeistos ir ar visi valdymo elementai veikia neprikaištingai. Nenau-dokite prietaiso, jeigu jo detalės yra apgadintos arba jo valdymo elementai veikia netinkamai. Jeigu reikia, atiduo-kite prietaisą remontuoti į įgaliotą „Hilti“ techninį centrą. Kontroluokite, kad stūmoklis ir stūmoklio stabdiklis būtų tinkamai sumontuoti, taip pat tikrinkite jų nusidėvėjimą.

7 Darbas



NURODYMAS

Prilaikydami prietaisą antrąja ranka, plaštaką laikykite taip, kad ja neuždengtumėte vėdinimo plyšių ar angų.

ISPĖJIMAS

Kalimo proceso metu pagrindo medžiaga gali išpleišėti arba dėtuvės juostos medžiaga gali būti išsviesta į šalį. **Dirbantis ir aplink esantys asmenys privalo naudoti akių apsaugos priemones ir apsauginį šalmą.** Išpleiš-ėjusi medžiaga gali sužaloti kūną ir akis.

ATSARGIAI

Tvirtinimo elementų (vinių) kalimas pradėdamas padegant užtaisą. **Naudotojas ir aplink esantys asmenys privalo užsidėti ausines.** Per stiprus garsas gali pažeisti klausą.

ISPĖJIMAS

Prispaudus prie kūno (pvz., rankos), nors tai ir neatitinka paskirties, prietaisas paruošiamas darbui. Šioje pareng-ties būklėje galimas vinių įkalimas ir į kūną (yra pavojus būti sužalotam vinių ar stūmoklio). **Prietaiso niekuomet nespauskite prie kūno ar jo dalių.**

ATSARGIAI

Niekuomet nebandykite tvirtinimo elementą (vinį) įkalti antruoju bandymu – elementas gali lūžti arba įstrigti.

ATSARGIAI

Nebandykite įkalti tvirtinimo elementų (vinių) į esamas skyles, nebent „Hilti“ tai rekomenduotų.

ATSARGIAI

Jeigu prietaisas perkaito, leiskite jam atvėsti. Nevir-šykite didžiausio leistino kalimo (šaudymo) dažnio.

7.1 Eksploatacija

Tvirtinimo direktyvos. Visuomet laikykitės šių naudojimo direktyvų.

NURODYMAS

Norėdami gauti išsamią informaciją, regioninėje „Hilti“ atstovybėje reikalaukite techninių direktyvų arba pasido-mėkite nacionalinėmis techninėmis instrukcijomis.

7.2 Veiksmai, kai šoviny suždegamas

Kai padegimas neįvyksta ar kai šoviny neužsidega, vi-sada elgiamasi taip:

Prietaisą 30 sekundžių laikyti prispaudus prie darbinio paviršiaus.

Jeigu šoviny vis dar neužsidegė, prietaisą reikia atitraukti nuo darbinio paviršiaus, kontroliuojant, kad jis jokia būdu nebūtų nukreiptas į save ar į kitą asmenį.

Užtaisymo rankena perstumkite šovinių apkabą per vieną šovinį; išnaudokite apkaboje likusius šovinius; išnaudotą šovinių apkabą išimkite ir utilizuokite taip, kad jos nebūtų galima naudoti dar kartą ar naudoti neleistinai.

7.2.1 Tvirtinimo elementų apkabos dėjimas į dėtuvę 2

Tvirtinimo elementų apkabą iš viršaus stumkite į dėtuvę tol, kol joje užsifikuos paskutinio elemento galvutė.

7.2.2 Šovinių pasirinkimas 3

1. Nustatykite plieno kietumą ir pagrindo medžiagos storį.
2. Pagal šovinių parinkimo rekomendacijas pasirinkite tinkamą šovinį ir galios nustatymą.

NURODYMAS Išsamias šovinių parinkimo reko-mendacijas rasite atitinkamuose eksploatavimo lei-dimuose arba „Hilti“ tiesioginio tvirtinimo žinyne.

7.2.3 Šovinių juostos įdėjimas 4

Šovinių juostą iki galo įstumkite į šoninę šovinių dėtuvės šachtą.

7.2.4 Kalimas naudojant viniakalę su dėtuve 5

1. Prietaisą prie darbinio paviršiaus spauskite tik pridėję stačiu kampu.
2. Spausdami gaiduką įkalkite vinį.
3. Norėdami pasirošti kalti kitą vinį, užtaisymo rankeną turite patraukti atgal ir vėl pastumti pirmyn.

7.2.5 Viniės iškyšos tikrinimas ir nustatymas 6 7

NURODYMAS

Sukdami galios regulatoriaus rankenėlę, nustatykite prietaiso galią. (1 padėtis – minimali galia; 4 padėtis – maksimali galia)

1. Įkaltos viniės iškyšą tikrinkite naudodami kontrolinį kalibrą.
2. Jeigu tvirtinimo elementas (vini) įkalamas nepakankamai giliai, prietaiso galią reikia padidinti. Galios regulatoriaus rankenėle nustatykite vienu laipsniu didesnę galią. Jeigu tvirtinimo elementas (vini) įkalamas per giliai, prietaiso galią reikia sumažinti. Galios regulatoriaus rankenėle nustatykite vienu laipsniu mažesnę galią.
3. Įkalkite tvirtinimo elementą (vinį).
4. Įkaltos viniės iškyšą tikrinkite naudodami kontrolinį kalibrą.
5. Jeigu tvirtinimo elementas (vini) įkalamas vis dar nepakankamai giliai ar per giliai, kartokite 2...4 žingsnius tol, kol įkaltos viniės iškyša bus tinkamo dydžio. Jeigu reikia, naudokite stipresnį ar silpnesnį šovinį.

7.3 Prietaiso ištuštinimas

7.3.1 Šovinių išėmimas iš prietaiso 8

ISPĖJIMAS

Nebandykite išimti šovinius iš šovinių apkabos ar iš prietaiso naudodami jėgą.

1. Užtaisymo rankeną daug kartų stumdami atgal / pirmyn, šovinių juostą perstumkite tol, kol ji bus matoma šovinių išėjimo angoje.
2. Šovinių juostą ištraukite iš šovinių išėjimo angos.

7.3.2 Tvirtinimo elementų juostos išėmimas iš viniakalės su dėtuve 9

ISPĖJIMAS

Įsitikinkite, kad prietaise nėra šovinių apkabos. Jeigu prietaise yra šovinių apkaba, užtaisymo rankeną daug kartų stumdami pirmyn/atgal šovinių apkabą perstumkite tol, kol ji bus matoma, tada ištraukite ją ranka iš šovinių išėjimo angos.

ATSARGIAI

Tvirtinimo elementų apkabą stumia spyruoklės jėga.

1. Tvirtinimo elementų juostą įspauskite 5 mm gilyn į dėtuvę ir palaikykite šioje padėtyje.

2. Nykščiu paspauskite raudoną atramą pirmyn ir laikykite šioje padėtyje.
3. Tvirtinimo elementų juostą išimkite iš dėtuves.

7.4 Vinių dėtuves arba viniės kreipiančiosios (reikmuo) keitimas

7.4.1 Išmontavimas 10

ISPĖJIMAS

Prietaise neturi būti jokių apkabų. Vinių dėtuveje arba viniės kreipiančiojoje neturi būti jokių tvirtinimo elementų (vinių).

ATSARGIAI

Prietaisą panaudojus, kai kurios jo dalys gali būti labai karštos. **Kai turite atlikti toliau nurodytas techninės priežiūros operacijas neatvėsinę prietaiso, būtina mūvėkite apsaugines pirštines.**

1. Įsitikinkite, kad užtaisymo rankena yra pagrindinėje padėtyje.
2. Nusukite viniės kreipiančiąją (arba vinių dėtuvę).
3. Iš stūmoklio įvorės išimkite stūmoklį, po to iš vinių dėtuves išimkite stūmoklio stabdiklį.

7.4.2 Montavimas 11

1. Stūmoklio stabdiklį tinkama kryptimi įdėkite į montuojamą viniės kreipiančiąją (arba vinių dėtuvę).
2. Įsitikinkite, kad užtaisymo rankena yra pagrindinėje padėtyje.
3. Tinkamą stūmoklį įstatykite į prietaiso stūmoklio įvorę.
4. Viniės kreipiančiąją (arba vinių dėtuvę) užsukite ant stūmoklio įvorės, kol atsirems, po to atsukite atgal, kol užsifiksuos.
5. Užtaisymo rankeną vieną kartą pastumkite atgal / pirmyn.

7.5 Kalimas naudojant pavienių vinių kreipiančiąją (reikmuo)

ISPĖJIMAS

Įsitikinkite, kad prietaise yra sumontuotas apsauginis gaubtelis.

7.5.1 Tvirtinimo elemento (viniės) įdėjimas į pavienių vinių kreipiančiąją 12

1. Prietaisą pasukite taip, kad viniės kreipiančioji būtų nukreipta aukštyn.
2. Į prietaisą iš viršaus įkiškite tvirtinimo elementą (vinį).

7.5.2 Šovinių pasirinkimas 13

1. Nustatykite plieno kietumą ir pagrindo medžiagos storį.
 2. Pagal šovinių parinkimo rekomendacijas pasirinkite tinkamą šovinį ir galios nustatymą.
- NURODYMAS** Išsamias šovinių parinkimo rekomendacijas rasite atitinkamuose eksploataavimo leidimuose arba „Hilti“ tiesioginio tvirtinimo žinyne.

7.5.3 Šovinių juostos įdėjimas 4

Šovinių juostą iki galo įstumkite į šoninę šovinių dėtuves šachtą.

7.5.4 Kalimas naudojant pavienių vinių kreipiančiąją

1. Prietaisą prie darbinio paviršiaus spauskite tik pridėję jį stačiu kampu.
2. Spausdami gaiduką įkalkite vinį.
3. Norėdami pasirošti kalti kitą vinį, užtaisymo rankeną turite patraukti atgal ir vėl pastumti pirmyn.

7.5.5 Viniės iškyšos tikrinimas ir nustatymas 6 7

NURODYMAS

Sukdami galios regulatoriaus rankenėlę, nustatykite prietaiso galią. (1 padėtis – minimali galia; 4 padėtis – maksimali galia)

Viniės iškyšą ir galios lygį patikrinkite pagal 7.2.5 skyrelį „Viniės iškyšos tikrinimas ir nustatymas“.

7.6 Inkarinių atramų (reikmenys) tvirtinimas 13 14

ĮSPĖJIMAS

Įsitikinkite, kad prietaise yra sumontuotas apsauginis gaubtelis.

7.6.1 Elemento įdėjimas į HVB viniės kreipiančiąją

NURODYMAS

Inkarinės atramos pirmojo elemento įkalimas

1. Vadovaudamiesi 7.4 skyreliu „Vinių dėtuves arba viniės kreipiančiosios (reikmuo) keitimas/ montavimas“, sumontuokite HVB viniės kreipiančiąją.
2. Perstumkite skląstį, kol jis užsifiksuos ir bus matomas skaitmuo „1“.
3. Prietaisą pasukite taip, kad viniės kreipiančioji būtų nukreipta aukštyn.
4. Elementą į prietaisą įdėkite iš viršaus – į pažymėtą angą.

7.6.2 Šovinių juostos įdėjimas 4

NURODYMAS

HVB inkarinėms atramoms tvirtinti geriausiai tinka juodi, o kai kuriais atvejais ir raudoni šoviniai. Išsamias šovinių parinkimo rekomendacijas rasite atitinkamuose eksploataavimo leidimuose arba „Hilti“ tiesioginio tvirtinimo žinyne.

Šovinių juostą iki galo įstumkite į šoninę šovinių dėtuves šachtą.

7.6.3 Kalimas naudojant HVB viniės kreipiančiąją 14

1. Inkarinę atramą uždėkite ant atraminės plokštelės. Inkarinę atramą prilaikys magnetas.
2. Prietaisą prie darbinio paviršiaus spauskite tik pridėję stačiu kampu.
3. Spausdami gaiduką įkalkite vinį.
4. Norėdami pasirošti kalti kitą vinį, užtaisymo rankeną turite patraukti atgal ir vėl pastumti pirmyn.

7.6.4 Viniės iškyšos tikrinimas ir nustatymas 6 7

NURODYMAS

Sukdami galios regulatoriaus rankenėlę, nustatykite prietaiso galią. (1 padėtis – minimali galia; 4 padėtis – maksimali galia)

Viniės iškyšą ir galios lygį patikrinkite pagal 7.2.5 skyrelį „Viniės iškyšos tikrinimas ir nustatymas“.

7.6.5 Antrojo elemento įdėjimas į HVB viniės kreipiančiąją 13

NURODYMAS

Inkarinės atramos antrojo elemento įkalimas

1. Perstumkite skląstį, kol jis užsifiksuos ir bus matomas skaitmuo „2“.
2. Prietaisą pasukite taip, kad viniės kreipiančioji būtų nukreipta aukštyn.
3. Elementą į prietaisą įdėkite iš viršaus – į pažymėtą angą.

7.6.6 Kalimas naudojant HVB viniės kreipiančiąją 14

1. Atraminę plokštelę įstatykite į lanką ir prispauskite prietaisą stačiu kampu prie darbinio paviršiaus.
2. Spausdami gaiduką įkalkite vinį.
3. Norėdami pasirošti kalti kitą vinį, užtaisymo rankeną turite patraukti atgal ir vėl pastumti pirmyn.

7.7 Grotelių tvirtinimas (reikmenys)

ĮSPĖJIMAS

Įsitikinkite, kad prietaise yra sumontuotas apsauginis gaubtelis.

7.7.1 Elemento įdėjimas į grotelių viniės kreipiančiąją (F8)

1. Vadovaudamiesi skyreliu 7.4 „Vinių dėtuves arba viniės kreipiančiosios (reikmuo) keitimas/ montavimas“, sumontuokite grotelių viniės kreipiančiąją.
2. Prietaisą pasukite taip, kad viniės kreipiančioji būtų nukreipta aukštyn.
3. Į prietaisą iš viršaus įkiškite tvirtinimo elementą (vinį).

7.7.2 Šovinių juostos įdėjimas 4

Šovinių juostą iki galo įstumkite į šoninę šovinių dėtuves šachtą.

7.7.3 Kalimas naudojant grotelių viniės kreipiančiąją 13

1. Prietaisą prie darbinio paviršiaus spauskite tik pridėję stačiu kampu.
2. Spausdami gaiduką įkalkite vinį.
3. Jeigu įmanoma, patikrinkite įkalimo gylį išmatuodami viniės išsikišimą.
4. Jeigu naudojama jungė, užsukite atraminę jungę (priveržimo momentas 5–8 Nm).
5. Norėdami pasirošti kalti kitą vinį, užtaisymo rankeną turite patraukti atgal ir vėl pastumti pirmyn.

7.7.4 Viniės iškyšos tikrinimas ir nustatymas 6 7

NURODYMAS

Sukdami galios regulatoriaus rankenėlę, nustatykite prietaiso galią. (1 padėtis – minimali galia; 4 padėtis – maksimali galia)

Viniės iškyšą ir galios lygį patikrinkite pagal 7.2.5 skyrelį „Viniės iškyšos tikrinimas ir nustatymas“.

7.8 Tvirtinimas su F10 viniės kreipiančiąja

ISPĖJIMAS

Įsitikinkite, kad prietaise yra sumontuotas apsauginis gaubtelis.

Tvirtindami su F10 viniės kreipiančiąja, dirbkite taip, kaip tvirtinate groteles (skyrius 7.7.).

7.9 Profiliuotos skardos tvirtinimas prie betono (DX Kwik reikmuo)

ISPĖJIMAS

Įsitikinkite, kad prietaise yra sumontuotas apsauginis gaubtelis.

7.9.1 Elemento įdėjimas į DX Kwik viniės kreipiančiąją

1. Vadovaudamiesi 7.4 skyreliu „Vinių dėtuvės arba viniės kreipiančiosios (reikmuo) keitimas / montavimas“, sumontuokite DX Kwik viniės kreipiančiąją.
2. Prietaisą pasukite taip, kad viniės kreipiančioji būtų nukreipta aukštyn.

3. Į prietaisą iš viršaus įkiškite tvirtinimo elementą (vinį).

7.9.2 Šovinių apkabos įdėjimas

NURODYMAS

Profiliuoti skardai prie betono tvirtinti geriausiai tinka mėlyni šoviniai. Išsamias šovinių parinkimo rekomendacijas rasite atitinkamuose leidimuose eksploatuoti arba „Hilti“ tiesioginio tvirtinimo žinyne.

Šovinių apkabą iki galo įstumkite į šoninę šovinių dėtuvės šachtą.

7.9.3 Kalimas naudojant DX Kwik viniės kreipiančiąją 17

1. Pirma pragręžkite profiliuotą skardą bei betoninį pagrindą atraminiumi grąžtu.
2. Iš viniės kreipiančiosios išsikišusią vinį įstatykite į pragręžtą skylę ir prispauskite prietaisą stačiu kampu.
3. Spausdami gaiduką įkalkite vinį.
4. Norėdami pasirošti kalti kitą vinį, užtaisymo rankeną turite patraukti atgal ir vėl pastumti pirmyn.

7.9.4 Viniės iškyšos tikrinimas ir nustatymas 6 7

NURODYMAS

Sukdami galios regulatoriaus rankenėlę, nustatykite prietaiso galią. (1 padėtis – minimali galia; 4 padėtis – maksimali galia)

Viniės iškyšą ir galios lygį patikrinkite pagal 7.2.5 skyrelį „Viniės iškyšos tikrinimas ir nustatymas“.

8 Techninė priežiūra ir remontas



ATSARGIAI

Reguliariai eksploatuojamas prietaisas natūraliai užsiteršia, taip pat dėvisi svarbūs jo mazgai. **Todėl norint, kad prietaiso eksploatacija būtų patikima ir saugi, būtina jį reguliariai tikrinti ir atlikti techninės priežiūros darbus. Intensyviai eksploatuojant, mes rekomenduojame prietaisą valyti ir tikrinti jo stūmoklį /stūmoklio stabdiklį mažiausiai vieną kartą per dieną, tačiau ne rečiau, kaip kas 3000 kalimų!**

ISPĖJIMAS

Prietaise neturi būti jokių apkabų. Vinių dėtuvėje arba viniės kreipiančiojoje neturi būti jokių tvirtinimo elementų (vinių).

ATSARGIAI

Naudojimo metu prietaisas gali įkaisti. Todėl galite nusideginti rankas. **Vykdydami techninės priežiūros ir remonto darbus, mūvėkite apsaugines pirštines. Leiskite prietaisui atvėsti.**

8.1 Prietaiso priežiūra

Išorinį prietaiso paviršių reguliariai valykite šiek tiek sudrėkinta šluoste.

NURODYMAS

Prietaisui valyti nenaudokite purkštuvo ar garo srautą pučiančio įrenginio! Niekada neeksploatuokite prietaiso, jeigu jo ventilacijos plyšiai užsikimšę! Saugokite, kad į prietaiso vidų nepakliūtų pašalinių daiktų.

8.2 Remontas

Reguliariai tikrinkite, ar visos išorinės prietaiso dalys nepažeistos ir, ar visi valdymo elementai veikia nepriekaištingai. Nenaudokite prietaiso, jeigu jo detalės yra apgadintos arba jo valdymo elementai veikia netinkamai. Jeigu reikia, atiduokite prietaisą remontuoti į įgaliotą „Hilti“ techninį centrą.

Prietaisą eksploatuokite tik naudodami rekomenduojamus šovinius ir galios nustatymus. Netinkamas šovinių pasirinkimas ar nustatyta per didelė kalimo galia gali būti ankstyvo prietaiso dalių gedimo priežastis.

ATSARGIAI

DX tipo prietaisų nešvarumuose yra medžiagų, galinčių pakenkti Jūsų sveikatai. **Stenkitės neįkvėpti valomų dulkių ar nešvarumų. Nuo dulkių / nešvarumų sau-**

gokite maisto produktus. Išvalę prietaisą, plaukite rankas. Prietaiso komponentų techninei priežiūrai / tepimui niekuomet nenaudokite tiršto tepalo. Tai gali sutrikdyti prietaiso veikimą. Naudokite tik „Hilti“ aerolinę alyvą arba analogiškos kokybės produktus.

8.2.1 Stūmoklio tikrinimas, stūmoklio / stūmoklio stabdiklio keitimas

ĮSPĖJIMAS

Prietaise neturi būti jokių apkabų. Vinių dėtuvėje arba vinies kreipiančiojoje neturi būti jokių tvirtinimo elementų (vinių).

ATSARGIAI

Prietaisą panaudojus, kai kurios jo dalys gali būti labai karštos. **Kai turite atlikti toliau nurodytas techninės priežiūros operacijas neatvėsinę prietaiso, būtinai mūvėkite apsaugines pirštines.**

NURODYMAS

Esant didesniam kiekiui nepavykusių įkalimų, stipriau dėvisi stūmoklis ir stūmoklio stabdiklis. Kai stūmoklyje atsiranda įtrūkimų ir / arba per stipriai nusidėvi stūmoklio stabdiklio elastomeras, tada šių komponentų tarnavimo laikas yra pasibaigęs.

NURODYMAS

Stūmoklio ir stūmoklio stabdiklio būklę būtina reguliariai tikrinti, bet ne rečiau kaip vieną kartą per dieną.

NURODYMAS

Norint pakeisti stūmoklį ir stūmoklio stabdiklį, reikia tik nuimti vinių dėtuvę arba vinies kreipiančiąją. Stūmoklio įvorės išmontuoti nereikia.

1. Nusukite vinies kreipiančiąją (arba vinių dėtuvę).
2. Ištraukite stūmoklį iš stūmoklio įvorės.
3. Patikrinkite, ar stūmoklis nepažeistas. Pastebėję pažeidimo požymius, turite pakeisti IR stūmoklį, IR stūmoklio stabdiklį.
NURODYMAS Patikrinkite, ar stūmoklis nėra sulinkęs – paridenkite jį ant lygaus paviršiaus. Nenaudokite susidėvėjusių stūmoklių ir neatlikite su stūmokliu jokių manipuliacijų.
4. Jeigu stūmoklį reikia pakeisti, iš vinies kreipiančiosios išimkite stūmoklio stabdiklį.
5. Naują stūmoklio stabdiklį tinkama kryptimi įdėkite į montuojamą vinies kreipiančiąją (arba vinių dėtuvę).
NURODYMAS Stūmoklio stabdiklio angą papurškite „Hilti“ aerolinę alyvą.
6. Stūmoklį įstatykite į prietaiso stūmoklio įvorę.
7. Vinies kreipiančiąją (arba vinių dėtuvę) užsukite ant stūmoklio įvorės, kol atsirems, po to atsukite atgal, kol užsifiksuos.
8. Užtaisymo rankeną vieną kartą pastumkite atgal / pirmyn.

8.2.2 Stūmoklio įvorės valymas 18 19 20 21

ĮSPĖJIMAS

Prietaise neturi būti jokių apkabų. Vinių dėtuvėje arba vinies kreipiančiojoje neturi būti jokių tvirtinimo elementų (vinių).

ATSARGIAI

Prietaisą panaudojus, kai kurios jo dalys gali būti labai karštos. **Kai turite atlikti toliau nurodytas techninės priežiūros operacijas neatvėsinę prietaiso, būtina mūvėkite apsaugines pirštines.**

1. Įsitinkinkite, kad užtaisymo rankena yra pagrindinėje padėtyje.
2. Nusukite vinies kreipiančiąją (arba vinių dėtuvę).
3. Iš stūmoklio įvorės išimkite stūmoklį, po to iš vinių dėtuvės (arba vinies kreipiančiosios) išimkite stūmoklio stabdiklį.
4. **ATSARGIAI Prietaisą būtina laikyti stūmoklio įvorę aukšty, priešingu atveju ši įvorė gali iškristi.**
Atlenkite stūmoklio įvorės išmontavimo svirtį.
5. Stūmoklio įvorę ištraukite iš prietaiso.
NURODYMAS Stūmoklio įvorę ardyti toliau draudžiama.
6. Prietaise išvalykite stūmoklio įvorės lizdą.
7. Didžiaisiais šepetėliais valykite vidinį ir išorinį stūmoklio įvorės paviršius.
8. Mažu apvaliuoju šepetėliu valykite reguliavimo piršto angą, o kūginiu šepetėliu – šovinio lizdą.
9. Stūmoklio įvorės skląstį ir juostelę papurškite „Hilti“ aerolinę alyvą.
10. „Hilti“ aerolinę alyvą papurškite ir plienines prietaiso dalis.
NURODYMAS Vietoje „Hilti“ aerolinės alyvos naudojant kitokias tepimo medžiagas, gali būti sugadintos gumines prietaiso dalys.
11. Įsitinkinkite, kad užtaisymo rankena yra pagrindinėje padėtyje.
12. Stūmoklio įvorę įkiškite į prietaisą.
13. Stūmoklio įvorę lengvai spustelėkite.
NURODYMAS Svirtis užsifiksuoja tik tada, kai stūmoklio įvorė lengvai (kelis milimetrus) paspaudžiama. Jeigu svirtis vis tiek neužsifiksuoja, reikia laikyti 9 skyriaus „Klaidų paieška“ nurodymų.
14. Kai stūmoklio įvorė yra lengvai paspausta, užlenkite išmontavimo svirtį.
15. Stūmoklį įstatykite į stūmoklio įvorę.
16. Sumontuokite stūmoklio stabdiklį.
17. Vinies kreipiančiąją (arba vinių dėtuvę) užsukite ant stūmoklio įvorės, kol atsirems, po to atsukite atgal, kol užsifiksuos.
18. Alyvos įpurškite ir į už užtaisymo rankenos esantį atvirą korpuso plyšį: taip patepsite detales, kuriomis transportuojami šoviniai.
19. Užtaisymo rankeną vieną kartą pastumkite atgal / pirmyn.



8.3 Prietaiso tikrinimas po valymo ir remonto darbų

Atlikus techninės priežiūros ir remonto darbus, prieš įdedant šovinius reikia patikrinti, ar uždėti visi apsauginiai įtaisai ir ar jie nepriekaištingai funkcionuoja.

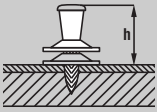
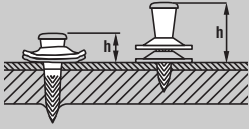

9 Gedimų aptikimas

ISPĖJIMAS

Prieš vykdant gedimų šalinimo darbus prietaisas turi būti ištuštintas.

Gedimas	Galima priežastis	Gedimo šalinimas	
Šoviny nepersistumia.	Šovinių apkaba yra pažeista.	Pakeisti šovinių apkabą. Žr. skyrių: 7.3.1 Šovinių išėmimas iš prietaiso B	
	Prietaisas yra pažeistas.	Susisiekti su „Hilti“ techniniu centru.	
Negalima išimti šovinių apkabos.	Dėl didelio kalimo (šaudymo) dažnio prietaisas yra pažeistas arba perkaitęs.	Leisti prietaisui atvėsti ir vėl atsargiai bandyti išimti šovinių juostą. Iš prietaiso išimti stūmoklio įvorę. Jeigu šovinio tūtelė įstrigo šovinio lizde, ją išimti naudojant valymo rinkinyje esantį apvalų strypą. Jeigu vis tiek nepavyksta, susisiekti su „Hilti“ techniniu centru. ISPĖJIMAS Nebandykite išimti šovinius iš dėtuves juostos ar iš prietaiso naudodami jėgą.	
Šovinio negalima padegti.	Prietaisas nepakankamai prispaustas prie pagrindo.	Prietaisą prispausti iš naujo ir įkalti kitą vinį.	
	Šovinių apkaba yra tuščia.	Šią šovinių apkabą išimti, įdėti naują.	
	Dėtuvė arba vinies kreipiančioji yra nepakankamai prisuktos.	Dėtuvę prisukti iki galo.	
	Šoviny yra nekokybiškas.	Užtaisyti ir toliau dirbti su likusiais šoviniiais.	
	Prietaisas sugedęs arba nekokybiški šoviniai.	Susisiekti su „Hilti“ techniniu centru.	
	Prietaisas neužtaisytas	Užtaisyti prietaisą Žr. skyrių: 8.2.2 Stūmoklio įvorės valymas 18 19 20 21	
Vinies iškyša per mažą.	Vinis įkalta šalia sijos.	Pažymėti sijos padėtį, pakartoti įkailimą. Koreguokite darbą taip, kad skarda patikimai priglustų prie pagrindo.	
		Įdėtas netinkamas stūmoklis.	Užtikrinti tinkamą stūmoklio / tvirtinimo elemento įrangos derinį.
		Stūmoklis yra susidėvėjęs.	Pakeisti stūmoklį ir stūmoklio stabdiklį.
		Įkalta į sijos briauną.	2 vinį įkalti šalia.
Vinies iškyša per didelę.	Pasikeitęs pagrindo storis ir / arba kietumas.	Pagal šovinių parinkimo rekomendacijas reguliatoriumi padidinti prietaiso galią arba naudoti stipresnius šovinius.	
		Per mažą galią.	Pagal šovinių parinkimo rekomendacijas reguliatoriumi padidinti prietaiso galią arba naudoti stipresnius šovinius.
		Prietaisas per daug užterštas	Prietaisą išvalyti.
		Stūmoklis yra susidėvėjęs.	Pakeisti stūmoklį ir stūmoklio stabdiklį.
		Prietaisas yra pažeistas.	Susisiekti su „Hilti“ techniniu centru.

It

Gedimas	Galima priežastis	Gedimo šalinimas
<p>Vinies iškyša per didelė.</p> 	Įdėtas netinkamas stūmoklis.	Užtikrinti tinkamą stūmoklio / tvirtinimo elemento įrangos derinį.
<p>Vinies iškyšos dydis stipriai svyruoja.</p> 	<p>Prietaisas buvo prispaustas prie pagrindo grubiai smūgiuojant</p> <p>Netolygus, iš dalies nevisiškas užtaisymas.</p> <p>Netolygi prietaiso galia.</p>	<p>Vengti smūginių prispaudimų.</p> <p>Užtaisyti iki galo</p> <p>Prietaisą išvalyti. Įdėti naujas besidėvinčias dalis. Jeigu galios netolygumų vis dar yra, susisiekti su „Hilti“ techniniu centru.</p>
<p>Vinys lūžta.</p> 	<p>Stūmoklio viršūnė yra nusidėvėjusi arba dalinai ištrupėjusi.</p> <p>Įkalta į sijos briauną.</p> <p>Padidėjęs pagrindo storis ir / arba kietumas.</p>	<p>Pakeisti stūmoklį ir stūmoklio stabdiklį.</p> <p>2 vinį įkalti šalia.</p> <p>Patikrinti, ar tvirtinimo elementas (vinis) atitinka rekomendacijas. Jeigu paskyrimas teisingas, pagal šovinių parinkimo rekomendacijas regulatoriumi padidinti prietaiso galią arba naudoti stipresnius šovinius.</p>
<p>Prietaiso negalima išardyti.</p>	<p>Stūmoklis stringa stūmoklio stabdiklyje.</p> <p>Prietaisas per daug užterštas.</p> <p>Šovinių apkaba stringa, prietaisas yra perkaitęs.</p>	<p>Pakeisti stūmoklį ir stūmoklio stabdiklį.</p> <p>Išvalyti stūmoklio įvorę. Patikrinti stūmoklio tiesumą. Prietaisą išvalyti.</p> <p>Žr. skyrių: 8.2.2 Stūmoklio įvorės valymas 18 19 20 21</p> <p>Žr. gedimą „Negalima išimti šovinių apkabos“. Laikytis maksimalaus leistino kalimo (šaudymo) dažnio.</p>
<p>Įkalimo negalima paleisti (negalima iššauti).</p>	<p>Prietaisas buvo netinkamai užtaisytas, užtaisymo rankena nėra pradinėje padėtyje.</p> <p>Gaidukas buvo nuspaustas prieš prietaisą prispaudžiant iki galo.</p> <p>Tvirtinimo elemento (vinies) perstūmimo sutrikimai</p> <p>Dėtuve ar vinies kreipiančioji užsuktos ne iki galo.</p> <p>Prietaisas yra pažeistas.</p>	<p>Prietaisą užtaisyti iki galo, užtaisymo rankeną nustumti į pradinę padėtį.</p> <p>Prietaisą prispausti iki galo ir tik tada nuspausti gaiduką.</p> <p>Žr. skyrių: 7.2.1 Tvirtinimo elementų apkabos dėjimas į dėtuvę 2</p> <p>Žr. skyrių: 7.3.2 Tvirtinimo elementų juostos išėmimas iš viniakalės su dėtuvė 9</p> <p>Dėtuve ir vinies kreipiančiąją užsukti iki galo.</p> <p>Susisiekti su „Hilti“ techniniu centru.</p>

Gedimas	Galima priežastis	Gedimo šalinimas
Įkalimo negalima paleisti (negalima iššauti).	Prietaisas per daug užterštas.	Išvalyti stūmoklio įvorę. Patikrinti stūmoklio tiesumą. Prietaisą išvalyti. Žr. skyrių: 8.2.2 Stūmoklio įvorės valymas 18 19 20 21
	Gaidukas buvo nuspaustas prieš prietaisą prispaudžiant iki galo.	Prietaisą prispausti iki galo ir tik tada nuspausti gaiduką.
Neįdėtas tvirtinimo elementas (vinis).	Prietaisas buvo netinkamai užtaisytas, užtaisymo rankena nėra pradinėje padėtyje.	Prietaisą užtaisyti iki galo, užtaisymo rankeną nustumti į pradinę padėtį.
	Neįdėtas tvirtinimo elementas (vinis).	Į prietaisą įdėti tvirtinimo elementą (vinį).
	Vinių perstūmimo dėtuveje mechanizmo gedimas.	Susisiekti su „Hilti“ techniniu centru.
	Stūmoklis neįdėtas.	Stūmoklį įdėti į prietaisą.
	Stūmoklis yra įtrūkęs.	Pakeisti stūmoklį ir stūmoklio stabdiklį.
	Stūmoklis neatitrauktas.	Susisiekti su „Hilti“ techniniu centru.
	Užteršta vinies kreipiančioji.	Tam tikslui numatytais šepetėliais išvalyti/nuvalyti vinies kreipiančiąją ir montuojamąsias dalis. Patepti „Hilti“ aeroline alyva.
	Tvirtinimo elementai (vinys) įstrigo vinies kreipiančiojoje.	Išimti įstrigusius tvirtinimo elementus (vinius). Iš prietaiso dėtuves pašalinti plastikinės apkabos likučius. Vengti vinių lūžimo. Vengti įkalimo šalia sijos (žr. pirmiau); jeigu reikia, pažymėti tiksliau.
Vinies kreipiančiosios negalima užsukti iki galo.	Stūmoklio stabdiklis yra įdėtas atvirkščiai.	Nusukti vinies kreipiančiąją. Tinkamai įdėti stūmoklio stabdiklį ir vėl užsukti vinies kreipiančiąją.
	Stūmoklio įvorė yra užteršta už sujungimo sriegio.	Išvalyti, sriegį patepti alyva.
Negalima sumontuoti stūmoklio.	Prietaisas yra užterštas, ypač stūmoklio įvorė.	Stūmoklio įvorę išvalyti, prietaisą sumontuoti iš naujo.
	Sklaščio kyšulys įlenda į stūmoklio įvorę ir blokuoja stūmoklį.	Sklaščio kyšulį patraukti pirmyn, kol galės užsifiksuoti.
Negalima sumontuoti stūmoklio įvorės.	Svirtis yra užlenkta.	Atlenkti svirtį.
	Netinkamai nustatyta stūmoklio įvorės padėtis.	Stūmoklio įvorę įstumti tinkama kryptimi.
Sunkiai juda užtaisymo rankena.	Prietaisas yra užterštas.	Prietaisą išvalyti. Žr. skyrių: 8.2.2 Stūmoklio įvorės valymas 18 19 20 21

It

10 Utilizacija



„Hilti“ prietaisai pagaminti iš perdirbamų medžiagų. Prieš utilizuojant perdirbamas medžiagas, jas reikia teisingai išrūšiuoti. Daugelyje šalių „Hilti“ jau priima perdirbimui iš savo klientų nebereikalingus senus prietaisus. Apie tai galite pasiteirauti artimiausiame „Hilti“ klientų aptarnavimo skyriuje arba prietaiso pardavėjo. Jeigu prietaisą utilizavimo / medžiagų išrūšiuojimo įmonei norite atiduoti patys, laikykitės regioninių ir tarptautinių direktyvų bei instrukcijų.

11 Gamintojo teikiama garantija

„Hilti“ garantuoja, kad pristatytas prietaisas neturi medžiagos arba gamybos defektų. Ši garantija galioja tik su sąlyga, kad prietaisas tinkamai naudojamas, valdomas, prižiūrimas ir valomas vadovaujantis „Hilti“ naudojimo instrukcijos nurodymais ir kad užtikrinamas jo techninis vieningumas, t.y. su prietaisu naudojamos tik originalios „Hilti“ eksploatacinės medžiagos, priedai ir atsarginės dalys arba atitinkamai kiti kokybės požiūriu lygiaverčiai gaminiai.

Ši garantija apima nemokamą remontą arba nemokamą sugedusių dalių keitimą visu prietaiso tarnavimo laikotarpiu. Natūraliai susidėvintiems dalims garantija netaikoma.

Kitos pretenzijos nepriimamos, jei jų priimti nereikalaujama pagal šalies įstatymus. „Hilti“ neatsako už tiesioginę arba netiesioginę materialinę ir dėl jos atsiradusią žalą, nuostolius arba išlaidas, atsiradusias dėl prietaiso naudojimo arba dėl negalėjimo jo naudoti kokiu nors kitu tikslu. Nėra jokių kitų prietaiso naudojimo ar jo tinkamumo kokiems nors tikslams atvejų, kurie nebūtų aprašyti čia.

Jei prietaisą reikia remontuoti arba pakeisti, nustatę gedimą nedelsdami nusiųskite jį atsakingai „Hilti“ prekybos atstovybei.

Ši garantija apima visus „Hilti“ garantinius įsipareigojimus ir pakeičia iki šiol galiojusius ir galiojančius pareiškimus, raštiškus arba žodinius susitarimus dėl garantijos.

lt 12 EB atitikties deklaracija (originali)

Pavadinimas:	Viniakalė
Tipas:	DX 76
Karta:	01
Pagaminimo metai:	2004

Prisiimdami visą atsakomybę pareiškiame, kad šis gaminys atitinka šių direktyvų ir normų reikalavimus: 2006/42/EB, 2011/65/ES.

Hilti Corporation, Feldkircherstrasse 100,
FL-9494 Schaan



Norbert Wohlwend
Head of Quality & Processes Management
BU Direct Fastening
04/2013



Tassilo Deinzer
Head of BU Direct Fastening
BU Direct Fastening
04/2013

Techninė dokumentacija saugoma:

Hilti Entwicklungsgesellschaft mbH
Zulassung Elektrowerkzeuge
Hiltistrasse 6
86916 Kaufering
Deutschland

13 CIP bandymų patvirtinimas

„Hilti“ prietaisais DX 76 atlaikė tipinius bandymus ir turi leidimą eksploatuoti, taip pat jis yra patikrintas sistemoje. Remiantis šiais bandymais, ant prietaiso yra pritvirtintas kvadratinės formos PTB leidimo ženklas su įrašytu

leidimo numeriu S 813. Taip „Hilti“ garantuoja, kad prietaisas atitinka aprobuotą konstrukciją. Apie naudojimo metu pastebėtus neleistinus trūkumus reikia pranešti atsakingam leidimus išduodančio organo (PTB) vadovui bei Nuolatinės tarptautinės komisijos (C.I.P.) biurui.

14 Naudotojo sveikata ir saugumas

14.1 Informacija apie keliamą triukšmą

Šovinių energiją naudojanti viniakalė

Tipas	DX 76
Modelis	Serija
Kalibras	6.8/18 mėlyni
Galios lygis	4
Naudojimas	Tvirtinimas prie 8 mm plieno (400 MPa), naudojant X-ENP 19 L15MX

Deklaruotos triukšmo parametrų matavimo reikšmės pagal Mašinų direktyvą 2006/42/EB ir E DIN EN 15895

Garso stiprumo lygis, $L_{WA, 1s}^1$	114 dB (A)
Skleidžiamo garso slėgio lygis darbo vietoje, $L_{pA, 1s}^2$	110 dB (A)
Maksimalus skleidžiamo garso slėgio lygis, $L_{pC, peak}^3$	139 dB (C)

¹ ± 2 dB (A)
² ± 2 dB (A)
³ ± 2 dB (C)

Naudojimo ir pastatymo sąlygos: Viniakalės pastatymas ir naudojimas pagal E DIN EN 15895-1 įmonės Müller-BBM GmbH beaidėje bandymų laboratorijoje. Aplinkos sąlygos bandymų laboratorijoje atitinka DIN EN ISO 3745.

Bandymų metodai: Pagal E DIN EN 15895, DIN EN ISO 3745 ir DIN EN ISO 11201 – Triukšmo matavimo apgaubtuose paviršiuose laisvajame garso lauke virš atspindinčiosios plokštumos metodas.

PASTABA: Išmatuotos triukšmo emisijos reikšmės ir jų matavimo paklaida atitinka matuojant lauktų triukšmo parametrų viršutinę ribą.

Esant kitoms eksploatacijos sąlygoms, galima gauti kitokias triukšmo emisijos reikšmes.

14.2 Vibracija

Pagal 2006/42/EC nurodyta suminė vibracijų reikšmė neviršija 2,5 m/s².

Daugiau informacijos apie naudotojo sveikatą ir saugumą galima rasti „Hilti“ tinklalapyje www.hilti.com/hse.

Naelapüss DX 76

Enne seadme esmakordset kasutamist lugege tingimata läbi käesolev kasutusjuhend.

Kasutusjuhend peab olema alati seadme juures.

Juhend peab jääma seadme juurde ka siis, kui annate seadme edasi teistele isikutele.

Sisukord	Lk
1 Ohutusnõuded	148
2 Üldised juhised	150
3 Kirjeldus	151
4 Lisavarustus, pakendimaterjal	153
5 Tehnilised andmed	153
6 Kasutuselevõtt	153
7 Töötamine	154
8 Hooldus ja korrashoid	157
9 Veaotsing	158
10 Utiliseerimine	161
11 Tootja garantii seadmetele	161
12 EU-vastavusdeklaratsioon (originaal)	161
13 Kinnitus CiP-kontrolli kohta	162
14 Kasutaja tervis ja ohutus	162

1 Numbrid viitavad vastavatele joonistele. Joonised leiata kasutusjuhendi lahtivolditavalt ümbriselt. Kasutusjuhendi lugemise ajal hoidke ümbris avatuna.

Käesolevas kasutusjuhendis tähistab sõna »seade« alati naelapüssi DX 76.

Seadme juhtelemendid ja osad **1**

Seade DX 76

- 1 Naelamagasin MX 76
- 2 Survetihvt
- 3 Kaitsekatte paigaldusava
- 4 Vinnastuspide
- 5 Padrunimagasi kanal
- 6 Laadimiskontrolli ava
- 7 Võimsuse regulaator
- 8 Võimsuse regulaatori osuti
- 9 Kate (tugipolster)
- 10 Korpuse kate
- 11 Käepideme polster
- 12 Päästik
- 13 Hoob kolvijuhiku mahavõtmiseks
- 14 Liughülss
- 15 Magasin
- 16 Naelamagasi kaitsekate
- 17 Piire (element)
- 18 Ventilatsioonivad
- 19 Poldijuhik X-76-F-15
- 20 Seadme kaitsekate

Kuluvad osad

- 21 Kolb
- 22 Kolvipidur

1 Ohutusnõuded

1.1 Üldised ohutusnõuded

Lisaks käesoleva kasutusjuhendi üksikutes punktides esitatud ohutusala- ja juhiste tuleb alati rangelt täita ka järgmisi nõudeid.

1.1.1 Padrunite kasutamine

Kasutage ainult Hilti padruneid või samaväärse kvaliteediga padruneid

Kui kasutate Hilti tööriistades ebakvaliteetseid padruneid, võivad põlemata pulbri jäägid ladestuda, ootamatult plahvatada ja tekitada käitajale ning juuresviibijatele raskeid vigastusi. Padrunid peavad vastama ühele järgmistest miinimumnõuetest:

a) padrunid peavad vastama EL standardile EN 16264 või

b) kandma CE-vastavusmärgist (juulist 2013 ELis kohustuslik)

JUHIS

Kõik Hilti naelapüssipadrunid vastavad standardile EN 16264. Standardis EN 16264 määratletud

katsete puhul on tegemist padrunite ja tööriistade kombinatsioonide süsteemsete kontrollidega, mille sooritavad sertifitseerimiskeskused. Tööriista nimetus, sertifitseerimiskeskuse nimi ja süsteemikontrolli number on trükitud padruni pakendile.

Pakendi näidis leheküljel: www.hilti.com/dx-cartridges

1.1.2 Inimeste turvalisus

- Olge tähelepanelik, jälgige oma tegevust ning toime otsepaigaldusseadmega töötades kaalutletult. Ärge kasutage seadet, kui olete väsinud või uimastite, alkoholi või ravimite mõju all.** Hetkeline tähelepanematus seadme kasutamisel võib põhjustada raskeid vigastusi.
- Vältige ebasoodsaid tööasendeid. Veenduge oma asendi ohutuses ja säilitage alati tasakaal.**
- Ärge suunake seadet iseenda või mõne teise inimese poole.**

- d) Ärge suruge seadet vastu enda (või mõne teise inimese) kätt või muud kehaosa.
- e) Hoidke teised isikud, eelkõige lapsed, töökohast eemal.
- f) Hoidke seadmega töötamisel käsi kõverdaltul (ärge sirutage käsi välja).

1.1.3 Otsemonteeritavate tööriistade käsitsemine ja kasutamine

- a) Kasutage õiget seadet. Kasutage seadet vaid otstarvetel, milleks see on ette nähtud, ja ainult siis, kui seadme tehniline seisund on veatu.
- b) Suruge seade tööpinnale täisnurga all.
- c) Ärge jätke laetud seadet kunagi järelevalveta.
- d) Tühjendage seade alati enne hooldus-, puhastus- ja korrashoiutõid, samuti tööpauside ajal ja enne seadme hoiulepanekut (eemaldage padrun ja kinnituselemendid).
- e) Kasutusvälisel ajal eemaldage seadmest padrunid ja kinnituselemendid ning hoidke seadet kuivas, kõrges või lukustatud ja lastele kättesaamatus kohas.
- f) Kontrollige, kas seadme ja lisatarvikute tehniline seisund on veatu. Enne edasist kasutamist kontrollige hoolikalt, kas kaitseesadised ja veidi kulunud detailid töötavad veatult ja nõuetekohaselt. Veenduge, et seadme liikuvad osad töötavad laitmatult, ei kiilu kinni ega ole kahjustatud. Seadme tõrgeteta töö tagamiseks peavad seadme kõik detailid olema õigesti paigaldatud ning vastama kõikidele tingimustele. Kui kasutusjuhendis ei ole ette nähtud teisiti, tuleb kahjustatud kaitseesadised ja detailid lasta parandada või välja vahetada Hilti hooldekeskuses.
- g) Vajutage päästikule üksnes siis, kui seade on surutud vertikaalselt vastu pinda.
- h) Löögi ajal hoidke seadet alati tugevasti ja pinnaga täisnurga all. See hoiab ära kinnituselemendi äralibisemise alusmaterjaliilt.
- i) Ärge kunagi laske ühte kinnituselementi kaks korda, see võib põhjustada elemendi purunemise ja kinnikiilumise.
- j) Ärge laske kinnituselemente olemasolevatesse aukudesse, välja arvatud juhul, kui Hilti seda soovib.
- k) Järgige alati kasutusjuhiseid.
- l) Kui kasutusstarve seda lubab, kasutage kaitsekatteid.
- m) Ärge tõmmake salve ja poldijuhikut käega tagasi, sellega võite seadme soovimatult vinnastada. Vinnastuse tõttu võib osutuda võimalikuks kinnituselemendi laskmine kehasse.

1.1.4 Töökoht



- a) Hoolitsege töökoha hea ventilatsiooni eest.

- b) Kasutage seadet üksnes hea ventilatsiooniga kohtades.
- c) Ärge laske kinnituselemente materjali, mis ei ole selleks ette nähtud. Materjal, mis on liiga kõva, näiteks keevitatud teras ja valumalm. Materjal, mis on liiga pehme, näiteks puit ja kipsplaadid. Materjal, mis on liiga rabe, näiteks klaas ja keraamilised plaadid. Nendesse materjalidesse laskmine võib põhjustada kinnituselementide või materjali purunemise või materjali läbistamise.
- d) Ärge laske naelu klaasi, marmorisse, plastmaterjalidesse, pronksi, messingisse, vaske, kivisse, isolatsioonimaterjalidesse, õonestellisesse, keraamilistesse materjalidesse, õhukesse plekki (< 3 mm), valumalmi ja gaasbetooni.
- e) Enne naelte laskmist veenduge, et tööpinna taga ja all ei ole inimesi.
- f) Hoidke oma töökoht korras. Veenduge, et töökohas ei ole esemeid, millega võite end vigastada. Korrastamata töökoht võib põhjustada õnnetusi.
- g) Käepidemed peavad olema kuivad, puhtad ja vabad õlist ning ravast.
- h) Kandke mittelibisevaid jalatseid.
- i) Arvestage ümbritseva keskkonna mõjudega. Ärge jätke seadet vihma kätte, ärge kasutage seda niiskes ega märjas keskkonnas. Põlengu- või plahvatuseohtu korral on seadme kasutamine keelatud.

1.1.5 Mehaanilised ohutusabinõud



- a) Valige õiged poldijuhiku-kinnituselemendi-kombinatsioonid. Kui ei kasutata õiget kombinatsiooni, võivad tagajärjeks olla vigastused, seadme kahjustumine ja/või kinnituse kvaliteedi halvenemine.
- b) Kasutage üksnes kinnituselemente, mis on selle seadme jaoks ette nähtud ja heaks kiidetud.
- c) Ärge lisage kinnituselemente salve, mis ei ole korralikult seadme külge kinnitatud. Kinnituselemendid võivad välja paiskuda.
- d) Ärge kasutage kulunud kolvipidurit ja ärge modifitseerige kolbi mingil viisil.

1.1.6 Termilised ohutusabinõud



- a) Kui seade peaks olema üle kuumenenud, laske sel jahtuda. Ärge ületage maksimaalset laskmisagedust.
- b) Kui peate tegema hooldustõid, ilma et laskeksite seadmel eelnevalt jahtuda, kandke tingimata kaitsekindaid.

et

- c) Kui tuvastate plastist padrunilindil sulamise jälgi, laske seadmel jahtuda.

1.1.7 Plahvatusoht



- a) Kasutage üksnes padroneid, mis on selle seadme jaoks ette nähtud ja heaks kiidetud.
b) Eemaldage padrunilindid ettevaatlikult seadmest.

- c) Ärge püüdke padroneid magasinilindist või seadmest jõuga eemaldada.
d) Kasutamata padroneid tuleb hoida kuivas ja lastele kättesaamatus lukustatud kohas.

1.1.8 Isikukaitsevahendid



Seadme kasutaja ja läheduses viibivad isikud peavad seadme kasutamise ja vigade kõrvaldamise ajal kandma sobivaid kaitseprille, kaitsekiivrit ja kuulmis-kaitsevahendeid.

2 Üldised juhised

2.1 Märksõnad ja nende tähendus

OHT

Viidatakse vahetult ähvardavatele ohtudele, millega kaasnevad rasked kehalised vigastused või inimeste hukkumine.

HOIATUS

Viidatakse võimalikele ohtlikele olukordadele, millega võivad kaasnedä rasked kehalised vigastused või inimeste hukkumine.

ETTEVAATUST

Viidatakse võimalikele ohtlikele olukordadele, millega võivad kaasnedä kergemad kehalised vigastused või varaline kahju.

JUHIS

Soovitusi seadme kasutamiseks ja muu kasulik teave.

2.2 Piltsümbolite selgitus ja täiendavad juhised

Hoiatavad märgid



Üldine hoiatus



Ettevaatust: plahvatusohtlikud ained



Ettevaatust: kuum pind

Kohustavad märgid



Kandke kaitseprille



Kandke kaitsekiivrit



Kandke kõrvaklappe



Kandke kaitsekindaid



Enne kasutamist lugege läbi kasutusjuhend

Identifitseerimisandmete koht seadmel

Seadme tüübitähis ja seerianumber on toodud seadme andmesildil. Märkige need andmed oma kasutusjuhendisse ning tehke teatavaks alati, kui pöörduate Hilti müügikeskusesse või hooldekeskusesse.

Tüüp: _____

Generatsioon: 01 _____

Seerianumber: _____

3 Kirjeldus

3.1 Nõuetekohane kasutamine

Seade on ette nähtud ehitusalal tegutsevatele professionaalsetele kasutajatele kinnituselementide laskmiseks terasesse.

Seadme puhul on tegemist käsitööriistaga.

Seadme modifitseerimine ja ümberkujundamine on keelatud.

Seadet ei tohi kasutada plahvatusohtlikus ja kergestisüttivas keskkonnas, välja arvatud juhul, kui seadmele on omistatud sellekohane kasutusluba.

Vigastuste ohu vältimiseks kasutage üksnes Hilti kinnituselemente, padruneid, lisatarvikuid ja varuosi või samaväärse kvaliteediga tooteid.

Pidage kinni kasutusjuhendis toodud kasutus- ja hooldusjuhistest.

Seade ja sellega ühendatavad abitööriistad võivad osutada ohtlikuks, kui neid ei kasutata nõuetekohaselt või kui nendega töötab vastava väljaõppeta isik.

Seadet tohivad kasutada, hooldada ja parandada vaid selleks volitatud vastava väljaõppega isikud. Kasutajatel peab olema ohutusalane ettevalmistus.

Nagu kõikide laengutel töötavate naelapüsside puhul moodustavad seade, magasin, padrunid ja kinnituselemendid tehnilise teraviku. See tähendab, et selle süsteemi puhul on probleemideta kinnitamine tagatud vaid siis, kui kasutada spetsiaalselt seadme jaoks toodetud Hilti kinnituselemente ja padruneid või samaväärse kvaliteediga tooteid. Üksnes nende nõuete järgimisel kehtivad Hilti kasutus- ja kinnitusosalased soovitusel.

Seade on varustatud 5-kordse kaitsega. Seadme kasutaja ja tema töökeskkonna ohutuse tagamiseks.

3.2 Kolvi põhimõte ja kolvipidur

Laengu energia kantakse üle kolvile, mille kiirendatud mass viib naela aluspinda. Kolvi põhimõtte tõttu klassifitseeritakse seade „Low Velocity“-seadmete hulka. Ligikaudu 95 % kineetilisest energist on kolvis. Kuna kolvipidur seiskab kolvi lasuprotsessi lõpus, jääb üleliigne energia seadmesse. Nii on korrektsel kasutamisel ohtlike läbilaskude tegemine, mille puhul on elemendi väljumise kiiruse suurem kui 100 m/s, praktiliselt võimatu.

3.3 Lahtimineku kaitse kukkumisel

Lahtimineku kaitse kukkumisel on tagatud süütemehhanismi ja kontakturve ühendamise kaudu. Seetõttu ei toimu seadme kukkumisel kõvale pinnale laengu andmist, olenemata sellest, millise nurga all seade pinda tabab.

3.4 Päästiku kaitse

Päästiku kaitse tagab, et kinnituselemendi väljalaskmiseks ei piisa üksnes päästikule vajutamisest. Kinnituselementi saab välja lasta üksnes siis, kui seade on surutud täielikult vastu kõva pinda.

3.5 Kontakturve kaitse

Kontakturve kaitse tõttu on vajalik survejõud vähemalt 50 N, seega saab lasku teostada ainult täielikult vastu pinda surutud seadmega.

3.6 Lasu vallandamise kaitse

Seade on varustatud lasu vallandamise kaitsega. See tähendab, et kui kõigepealt vajutada päästikule ja seejärel suruda seadet pinna vastu, siis lasku ei toimu. Lasu vallandamiseks tuleb seade kõigepealt korrektselt vastu pinda suruda ning alles seejärel päästikule vajutada.

3.7 Seade DX 76, rakendused ja kinnituselemendid

Profiilpleki kinnitamine terasele, terase paksus 6 mm kuni täisteras

Programm	Tellimistähis	Märkus
Kinnituselemendid	X-ENP-19 L15 MX	10 naela magasinilindi kohta
Naelamagasin	Naelamagasin MX 76	
Kolvikomplekt	X-76-F-Kwik	

Programm	Tellimistähis	Märkus
Kinnituselemendid	X-ENP-19 L15	Nael
Üksikpoldijuhik	X-76-F-15	

et

Profiilpleki kinnitamine terasele, terase paksus 3-6 mm

Programm	Tellimistähis	Märkus
Kinnituselemendid	ENP2K-20 L15	10 naela magasinilindi kohta
Naelamagasin	Naelamagasin MX 76	
Kolb	X-76-F-Kwik	

Programm	Tellimistähis	Märkus
Kinnituselemendid	ENP2K-20 L15	Nael
Üksikpoldijuhik	X-76-F-15-P	

Liittüüblite kinnitamine

Programm	Tellimistähis	Märkus
Kinnituselemendid	X-ENP-21 HVB	2 tükki liittüübli kohta
Liittüüblid	X-HVB 50/ 80/ 95/ 110/ 125/ 140	
Poldijuhik	X-76-F-Kwik	
Kolb	X-76-F-Kwik	

Profiilpleki kinnitamine betoonile (DX-Kwik)

Programm	Tellimistähis	Märkus
Kinnituselemendid	NPH2-42 L15	
Poldijuhik	X-76-F-Kwik	
Kolb	X-76-F-Kwik	
Sabapuur	TX-C 5/23	Sabapuur ettepuurimiseks

Võreresti elementide (läbimõõt 10mm) kinnitamine

Programm	Tellimistähis	Märkus
Kinnituselemendid	EM8-15FP10, X-CRM8-15 FP10/ X-CR M8	X-FCM, X-FCM-F, X-FCM-R, X-FCP-F, X-FCP-R paigaldamiseks
Poldijuhik	X-76-F-10	
Kolb	X-76-P-GR	
Tõukur	Tõukur	Kinnituselementide tagasilükkamiseks
Tsentreerimiseadis	Tsentreerimiseadis 25	Poldijuhikule X-76-F-10
Tsentreerimiseadis	Tsentreerimiseadis 30	Poldijuhikule X-76-F-10

Elementide (läbimõõt 10 mm) kinnitamine terasesse ja betooni

Programm	Tellimistähis	Märkus
Kinnituselemendid	DS 27-37, DSH 57 P10	Naelad puitlattide kinnitamiseks betooni ja terasesse, alates 62 mm tuleb naelad ette lüüa
Kinnituselemendid	EDS 19-27 P10	Naelad puitlattide kinnitamiseks terasesse
Kinnituselemendid	EW10-30 P10, X-EW10-27 P10, X-EM10-24 P10	10 mm poldid teraspindadel
Poldijuhik	X-76-F-10	
Kolb	X-76-P-10	

4 Lisavarustus, pakendimaterjal

Tähistus	Artikli number, kirjeldus
Hilti kohver	DX 76 KD, suur, suletava padrunisektsiooniga
Magasiniga seadme kohver	DX 76 MX
Puhastuskomplekt	DX 76 / 860-ENP, Lapik hari, ümar hari \varnothing 25, ümar hari \varnothing 8, tõukur, puhastuslapp
Hilti aerosool (Hilti Spray)	
Kolvi ja kolvipiduri komplekt	X-76-PS
Salve ja üksikpoldijuhikute kaitsekate	
Kaliiber DX 76	

Padruni tüüp	Tellimistähis
Tugevaim laeng (USA)	6.8/18 M must (purple)
Ülitugev laeng	6.8/18 M must
Väga tugev laeng	6.8/18 M punane
Tugev laeng	6.8/18 M sinine
Nõrk laeng	6.8/18 M roheline

et

5 Tehnilised andmed

Tootja jätab endale õiguse tehniliste andmete muutmiseks!

JUHIS

*häireteta töö tagamiseks.

Seade	DX 76 MX
Kaal koos magasiniga	4,35 kg
Mõõtmed (p × l × k)	450 mm × 101 mm × 352 mm
Magasini mahutavus	10 elementi
Surveteekonna pikkus	32 mm
Rakendatav jõud	190...240 N
Kasutustemperatuur / ümbritseva keskkonna temperatuur	-15...+50 °C
Maksimaalne keskmine lasusagedus*	600/h

6 Kasutuselevõtt



JUHIS

Enne seadme kasutuselevõttu lugege läbi kasutusjuhend.

6.1 Seadme ülevaatus

Veenduge, et seadmes ei ole padrunilinti. Kui seadmes on padrunilint, vinnastage seadet vinnastuspidemest mitu korda ja viige padrunilint nii kaugele, et saate sellest kinni haarata ja selle välja tõmmata.

Kontrollige, kas seadme välised osad on terved ja kas kõik seadme juhtdetailid on täiesti töökorras. Kui mõni detail on vigastatud või kui seadme juhtdetailid ei ole täiesti töökorras, ärge seadet tööle rakendage. Laske seade parandada Hilti hooldekeskuses.

Kontrollige, kas kolb ja kolvipidur on korrektselt paigaldatud ega ole kulunud.

7 Töötamine



JUHIS

Teise käega kinni hoides jälgige, et Te ei kata käega ventilaatoriavasid.

HOIATUS

Laskmise ajal võib materjalist ja salvest eralduda kilde ja tükke. **Seadme kasutaja ja läheduses viibivad inimesed peavad kandma kaitseprille ja kaitsekiivrit.** Materjalist eralduvad killud võivad vigastada kehaosi ja silmi.

ETTEVAATUST

Kinnituselementide lasu vallandab laengu süttimine. **Seadme kasutaja ja läheduses viibivad inimesed peavad kandma kuulmiskaitsevahendeid.** Liiga vali müra võib kahjustada kuulmist.

HOIATUS

Seadme surumine vastu kehaosa (näiteks kätt) vinnastab seadme soovimatult. Kui seade on vinnastatud, tekib oht lasta kinnituselemente soovimatult kehaosadesse (naeltest või kolvist tingitud vigastuste oht). **Ärge suruge seadet kunagi vastu oma keha.**

ETTEVAATUST

Ärge kunagi laske ühte kinnituselementi kaks korda, see võib põhjustada elemendi purunemise ja kinnikilumise.

ETTEVAATUST

Ärge laske kinnituselemente olemasolevatesse aukudesse, välja arvatud juhul, kui Hilti seda soovitab.

ETTEVAATUST

Kui seade peaks olema üle kuumenenud, laske sel jahtuda. Ärge ületage maksimaalset laskmissagedust.

7.1 Töötamine

Juhised kinnitamiseks. Pidage tööjuhustest alati kinni.

JUHIS

Üksikasjalikum teave sisaldub tehnilistes direktiivides, mis on saadaval kohalikus Hilti esinduses, või siseriiklikes tehnilistes eeskirjades.

7.2 Toimimine padruni mittesüttimise korral

Kui süüdet ei anta või kui padrun ei sütti, toimige järgmiselt:

Suruge seadet 30 sekundi vältel vastu tööpinda.

Kui padrun ei sütti ikka veel, võtke seade tööpinna eest ära. Seejuures veenduge, et seade ei ole suunatud Teie enda ega mõne teise inimese poole.

Vinnastamisega viige padrunilint ühe padruni võrra edasi; kasutage padrunilindi ülejäänud padrunid ära; eemaldage ärakasutatud padrunilint ja kõrvaldage see nii, et veelkordne või kuritahtlik kasutamine on välistatud.

7.2.1 Kinnituselementide lindi asetamine salve 2

Lükake kinnituselementide lint ülalt salve, kuni viimane element salves kohale fikseerub.

7.2.2 Padrunite valik 3

1. Tehke kindlaks terase tugevus ja aluspinna paksus.
2. Valige sobiv padrun ning võimsusaste vastavalt padrunile.

JUHIS Sobiva padruni leidmiseks tutvuge Hilti kinnitustehnika käsiraamatuga

7.2.3 Padrunilindi paigaldamine 4

Lükake padrunilint külgmisse padrunisalvekanalisse lõpuni sisse.

7.2.4 Laskmine magasiniga seadmega 5

1. Suruge seade täisnurga all tööpinnale.
2. Vallandage lask, vajutades päästikule.
3. Järgmise lasu sooritamiseks peate tõmbama vinnastuspõhja taha ja seejärel uuesti ette.

7.2.5 Naelte sissetungimissügavuse kontrollimine ja reguleerimine 6 7

JUHIS

Seadme võimsust reguleerige võimsuse regulaatorist. (Aste 1 = miinimum; aste 4 = maksimum)

1. Kontrollige naela sissetungimissügavust kontrollkalliibriga.
2. Kui kinnituselement ei tunni piisavalt sügavale, tuleb võimsust suurendada. Seadke võimsus võimsuse regulaatorist ühe astme võrra kõrgemaks. Kui kinnituselement tungib liiga sügavale, tuleb võimsust vähendada. Seadke võimsus võimsuse regulaatorist ühe astme võrra madalamaks.
3. Laske kinnituselement pinda.
4. Kontrollige naela sissetungimissügavust kontrollkalliibriga.
5. Kui kinnituselemendi sissetungimissügavus ei ole ikka veel korrektne, korrake samme 2 kuni 4 seni, kuni saavutate soovitud sissetungimissügavuse. Vajaduse korral kasutage tugevamat või nõrgemat padrunit.

7.3 Padrunite eemaldamine seadmest

7.3.1 Padrunite eemaldamine seadmest **3**

HOIATUS

Ärge püüdke padruneid padrunilindist või seadmest jõuga eemaldada.

1. Seadet vinnastuspidemest mitu korda vinnastades nihutage padrunilinti edasi seni, kuni see padruni väljalaskeavas nähtavaks muutub.
2. Tõmmake padrunilint padruni väljalaskeavast välja.

7.3.2 Kinnituselementide lindi eemaldamine magasiniga seadmest **3**

HOIATUS

Veenduge, et seadmest ei ole padrunilinti. Kui seadmest on padrunilint, vinnastage seadet vinnastuspidemest seni, kuni padrunilint on näha. Seejärel tõmmake see käega padruni väljalaskeavast välja.

ETTEVAATUST

Kinnituselementide lint lükatakse vedru jõul välja.

1. Suruge kinnituselementide lint magasinis 5 mm sügavamale ja hoidke seda selles asendis.
2. Suruge pöidlaga punane piirik ette ja hoidke seda selles asendis.
3. Võtke kinnituselementide lint magasinist välja.

7.4 Naelamagasi ja kolvijuhiku vahetamine (lisatarvikud)

7.4.1 Lahtivõtmine **10**

HOIATUS

Seadmest ei tohi olla padruneid. Naelasalves või polidijuhikus ei tohi olla kinnituselemente.

ETTEVAATUST

Pärast kasutamist võivad seadme osad olla väga kuumad. **Kui peate tegema hooldustöid, ilma et laseksite seadmest eelnevalt jahtuda, kandke tingimata kaitsekindaid.**

1. Veenduge, et vinnastuspide on põhiasendis.
2. Keerake polidijuhik (või naelamagasi) maha.
3. Eemaldage kolb kolvijuhikust ja kolvipidur naelamagasinist.

7.4.2 Kokkupanek **11**

1. Asetage kolvipidur õiges asendis paigaldatavasse polidijuhikusse (või naelamagasinis).
2. Veenduge, et vinnastuspide on põhiasendis.
3. Asetage sobiv kolb seadmest olevasse kolvijuhikusse.
4. Kruvige polidijuhik (või naelamagasin) lõpuni kolvijuhikule ja keerake tagasi, kuni see fikseerub kohale.
5. Vinnastage seade vinnastuspidemest.

7.5 Laskmine üksikpoldijuhikuga (lisatarvik)

HOIATUS

Veenduge, et seadme külge on paigaldatud kaitsekate.

7.5.1 Kinnituselementi paigaldamine ühelasuseadmestesse **12**

1. Keerake seade nii, et poldijuhik on suunatud üles.
2. Viige kinnituselement ülalt seadmestesse.

7.5.2 Padrunite valik **3**

1. Tehke kindlaks terase tugevus ja aluspinna paksus.
2. Valige sobiv padrun ning võimsusaste vastavalt padrunile.

JUHIS Sobiva padruni leidmiseks tutvuge Hilti kinnitustehnika käsiraamatuga

7.5.3 Padrunilindi paigaldamine **4**

Lükake padrunilint külgmisse padrunisalvekanalisse lõpuni sisse.

7.5.4 Laskmine ühelasuseadmestega

1. Suruge seade täisnurga all tööpinnale.
2. Vallandage lask, vajutades päästikule.
3. Järgmise lasu sooritamiseks peate tõmbama vinnastuspide taha ja seejärel uuesti ette.

7.5.5 Naelte sissetungimissügavuse kontrollimine ja reguleerimine **6 7**

JUHIS

Seadme võimsust reguleerige võimsuse regulaatorist. (Aste 1 = miinimum; aste 4 = maksimum)

Kontrollige naelte sissetungimissügavust ja võimsust vastavalt punktile 7.2.5 "Naelte sissetungimissügavuse kontrollimine ja reguleerimine".

7.6 Liittüüblite kinnitamine (lisatarvik) **13 14**

HOIATUS

Veenduge, et seadme külge on paigaldatud kaitsekate.

7.6.1 Elementi paigaldamine HVB polidijuhikusse

JUHIS

Esimese elementi laskmine liittüüblis

1. Paigaldage vastavalt punktile 7.4 "Naelamagasi või polidijuhiku (lisatarvik) vahetamine / paigaldamine" HVB polidijuhik.
2. Pange klapp teisipidi, kuni see fikseerub kohale ja näha on number 1.
3. Keerake seade nii, et polidijuhik on suunatud üles.
4. Viige kinnituselement ülalt märgistatud avast seadmestesse.

et

7.6.2 Padrunilindi paigaldamine 4

JUHS

HVB liitüüblite kinnitamiseks on soovitat kasutada musti või mõningatel juhtudel ka punaseid padroneid. Sobiva padruni leidmiseks tutvuge Hilti kinnitustehnika käsiraamatuga

Lükake padrunilint külgmisse padrunimagasinikanalisse lõpuni sisse.

7.6.3 Laskmine HVB poldijuhikuga 14

1. Asetage liitüübel alustallale. Seda hoiab magnet.
2. Suruge seade täisnurga all tööpinna.
3. Vallandage lask, vajutades päästikule.
4. Järgmise lasu sooritamiseks peate tõmbama vinnastuspideme taha ja seejärel uuesti ette.

7.6.4 Naelte sissetungimissügavuse kontrollimine ja reguleerimine 6 7

JUHS

Seadme võimsust reguleerige võimsuse regulaatorist. (Aste 1 = miinimum; aste 4 = maksimum)

Kontrollige naelte sissetungimissügavust ja võimsust vastavalt punktile 7.2.5 "Naelte sissetungimissügavuse kontrollimine ja reguleerimine".

7.6.5 Teise elemendi paigaldamine HVB poldijuhikusse 15

JUHS

Teise elemendi laskmine liitüüblis

1. Pange klapp teispidi, kuni see fikseerub kohale ja näha on number 2.
2. Keerake seade nii, et poldijuhik on suunatud üles.
3. Viige kinnituselement ülalt märgistatud avast seadmesse.

7.6.6 Laskmine HVB poldijuhikuga 14

1. Viige alustald kaarde ja suruge seade täisnurga all vastu tööpinda.
2. Vallandage lask, vajutades päästikule.
3. Järgmise lasu sooritamiseks peate tõmbama vinnastuspideme taha ja seejärel uuesti ette.

7.7 Võrerestide kinnitamine (lisatarvik)

HOIATUS

Veenduge, et seadme külge on paigaldatud kaitsekate.

7.7.1 Elemendi paigaldamine võrerestpoldijuhikusse (F8)

1. Paigaldage vastavalt punktile 7.4 "Naelasalve või poldijuhiku (lisatarvik) vahetamine / paigaldamine" võreresti poldijuhik.
2. Keerake seade nii, et poldijuhik on suunatud üles.
3. Viige kinnituselement ülalt seadmesse.

7.7.2 Padrunilindi paigaldamine 4

Lükake padrunilint külgmisse padrunisalvekanalisse lõpuni sisse.

7.7.3 Laskmine võrerestpoldijuhikuga 16

1. Suruge seade täisnurga all tööpinna.
2. Vallandage lask, vajutades päästikule.
3. Kui võimalik kontrollige sissetungimissügavust.
4. Flantsi kasutamisel keerake lahti kinnitusflants (pöördemoment 5 kuni 8 Nm).
5. Järgmise lasu sooritamiseks peate tõmbama vinnastuspideme taha ja seejärel uuesti ette.

7.7.4 Naelte sissetungimissügavuse kontrollimine ja reguleerimine 6 7

JUHS

Seadme võimsust reguleerige võimsuse regulaatorist. (Aste 1 = miinimum; aste 4 = maksimum)

Kontrollige naelte sissetungimissügavust ja võimsust vastavalt punktile 7.2.5 "Naelte sissetungimissügavuse kontrollimine ja reguleerimine".

7.8 Kinnitamine F10 poldijuhikuga

HOIATUS

Veenduge, et seadme külge on paigaldatud kaitsekate.

F10 poldijuhikuga kinnitamisel toimige analoogiliselt võrerestiga kinnitamisele (punkt 7.7.).

7.9 Profiiplekkide kinnitamine betoonile (DX Kwik lisatarvik)

HOIATUS

Veenduge, et seadme külge on paigaldatud kaitsekate.

7.9.1 Elemendi paigaldamine DX Kwik poldijuhikusse

1. Paigaldage vastavalt punktile 7.4 "Naelamagasin või poldijuhiku (lisatarvik) vahetamine / paigaldamine" DX Kwik poldijuhik.
2. Keerake seade nii, et poldijuhik on suunatud üles.
3. Viige kinnituselement ülalt seadmesse.

7.9.2 Padrunilindi paigaldamine

JUHS

Profiipleki kinnitamiseks betoonile on soovitat kasutada siniseid padroneid. Sobiva padruni leidmiseks tutvuge Hilti kinnitustehnika käsiraamatuga

Lükake padrunilint külgmisse padrunisalvekanalisse lõpuni sisse.

7.9.3 Laskmine DX Kwik poldijuhikuga 17

1. Puurige profiilplekki ja betoonist aluspinda saba-puuriga ette auk.
2. Viige poldijuhikust väljaulatav nael ettepuuritud auku ja suruge seade täisnurga all vastu pinda.
3. Vallandage lask, vajutades päästikule.
4. Järgmise lasu sooritamiseks peate tõmbama vinnastuspidele taha ja seejärel uuesti ette.

7.9.4 Naelte sissetungimissügavuse kontrollimine ja reguleerimine 6 7

JUHIS

Seadme võimsust reguleerige võimsuse regulaatorist. (Aste 1 = miinimum; aste 4 = maksimum)

Kontrollige naelte sissetungimissügavust ja võimsust vastavalt punktile 7.2.5 "Naelte sissetungimissügavuse kontrollimine ja reguleerimine".

8 Hooldus ja korrashoid



ETTEVAATUST

Seadmele on iseloomulik määrdumine ja oluliste detailide kulumine, kui seadet kasutatakse tavarežiimil. **Seadme veatu ja ohutu töö tagamise eelduseks on seetõttu regulaarne ülevaatus ja hooldus. Soovitame seadet puhastada ning kolbi ja kolvipidurit üle vaadata intensiivse kasutamise korral vähemalt kord päevas, hiljemalt aga pärast 3000 lasku!**

HOIATUS

Seadmes ei tohi olla padruneid. Naelasalves või poldijuhikus ei tohi olla kinnituselemente.

ETTEVAATUST

Seade võib kasutamisel minna kuumaks. Käte põletamise oht. **Hooldus- ja korrashoiutööde tegemisel kandke kaitsekindaid. Laske seadmel jahtuda.**

8.1 Seadme hooldus

Puhastage seadme välispinda regulaarselt veidi niiske lapiga.

JUHIS

Ärge kasutage puhastamiseks pihustit ega aurupuhastit! Seadme ventilatsioonivad peavad olema alati vabad. Ärge laske võrkehadel sattuda seadme sisemusse.

8.2 Korrashoid

Kontrollige regulaarselt, kas seadme kõik välised detailid on vigastusteta ja kas seadme kõik osad töötavad veatult. Ärge rakendage seadet tööle, kui detailid on vigastatud ega tööta veatult. Laske seade parandada Hilti hooldekeskuses.

Kasutage seadet ainult soovitatud padrunitega ja õigel võimsusastmel. Vale padrundi valik või liiga kõrge võimsuste võib põhjustada seadme detailide enneaegset kulumist.

ETTEVAATUST

DX seadmetes sisalduv mustus sisaldab aineid, mis võivad kahjustada tervist. **Ärge hingake puhastamisel üleskeerutatavat tolmu / mustust sisse. Hoidke tolmu / mustust eemal toiduainetest. Pärast seadme puhastamist peske käsi. Ärge kunagi kasutage seadme osade hooldamiseks ja määrimiseks rasva. See võib**

põhjustada häireid seadme töös. Kasutage üksnes Hilti aerosooli või samaväärse kvaliteediga tooteid.

8.2.1 Kolvi ülevaatus, kolvi / kolvipiduri vahetamine

HOIATUS

Seadmes ei tohi olla padruneid. Naelasalves või poldijuhikus ei tohi olla kinnituselemente.

ETTEVAATUST

Pärast kasutamist võivad seadme osad olla väga kuumad. **Kui peate tegema hooldustöid, ilma et laseksite seadmel eelnevalt jahtuda, kandke tingimata kaitsekindaid.**

JUHIS

Sagedaste valede laskude tõttu võivad kolv ja kolvipidur kuluda. Kui kolvis on praod või kui kolvipiduri kumm on väga kulumud, on nende detailide kasutusressurs ammendumud.

JUHIS

Kolbi ja kolvipidurit tuleb regulaarselt, vähemalt kord päevas, kontrollida.

JUHIS

Kolvi ja kolvipiduri vahetamiseks tuleb eemaldada üksnes naelamagasin või poldijuhik. Kolvijuhikut ei ole vaja maha monteerida.

1. Keerake poldijuhik (või naelamagasin) maha.
2. Tõmmake kolb kolvijuhikust välja.
3. Kontrollige kolbi kahjustuste suhtes. Kahjustuste tuvastamise korral tuleb kolb JA kolvipidur välja vahetada.
4. Kui kolb tuleb välja vahetada, võtke kolvipidur poldijuhikust välja.
5. Asetage kolvipidur õiges asendis paigaldatavasse poldijuhikusse (või naelamagasin).
6. Asetage kolb kolvijuhikusse.
7. Kruvige poldijuhik (või naelamagasin) lõpuni kolvijuhikule ja keerake tagasi, kuni see fikseerub kohale.
8. Vinnastage seade vinnastuspidemest.

et

8.2.2 Kolvijuhiku puhastamine 18 19 20 21

HOIATUS

Seadmes ei tohi olla padruneid. Naelasalves või poldijuhikus ei tohi olla kinnituselemente.

ETTEVAATUST

Pärast kasutamist võivad seadme osad olla väga kuumad. **Kui peate tegema hooldustöid, ilma et laseksite seadmel eelnevalt jahtuda, kandke tingimata kaitsekindaid.**

1. Veenduge, et vinnastuspide on põhiasendis.
2. Keerake naelamagasin (või poldijuhik) maha.
3. Eemaldage kolb kolvijuhikust ja kolvipidur naelamagasinist (või poldijuhikust).
4. **ETTEVAATUST Hoidke seadet nii, et kolvijuhik on suunatud üles, kuna vastasel juhul võib kolvijuhik välja kukkuda.**
Keerake välja hoob kolvijuhiku mahavõtmiseks.
5. Tõmmake kolvijuhik seadmest välja.
JUHIS Kolvijuhikut ei ole vaja lahti võtta.
6. Puhastage kolvijuhiku vastuvõtuava seadmes.
7. Puhastage suure harjaga kolvijuhiku sise- ja välispind.
8. Puhastage väikese ümara harjaga reguleerimisvarda siseava ja koonilise harjaga padrunilaager.

9. Pihustage tõukurile ja kolvijuhiku võrtele Hilti aerosooli (Hilti Spray).
10. Pihustage seadme terasest sisedetailidele Hilti aerosooli (Hilti Spray).
JUHIS Teiste määrdeainete kasutamine võib kahjustada seadme kummidetaille.
11. Veenduge, et vinnastuspide on põhiasendis.
12. Lükake kolvijuhik seadmesse.
13. Suruge kolvijuhikut kergelt kohale.
JUHIS Hooba saab sulgeda ainult siis, kui kolvijuhik on kergelt kohale surutud (mõne mm võrra). Kui hooba ei ole ikkagi võimalik sulgeda, tutvuge punktiga 9 "Veatsing".
14. Keerake hoob sisse, kui kolvijuhik on kergelt kohale surutud.
15. Asetage kolb kolvijuhikusse.
16. Paigaldage kolvipidur.
17. Krurvige poldijuhik (või naelamagasin) lõpuni kolvijuhikule ja keerake tagasi, kuni see fikseerub kohale.
18. Pihustage määrat vinnastuspidele taha lahtisesse avasse, et määrada padruni kanalit.
19. Vinnastage seade vinnastuspidemest.

8.3 Seadme kontrollimine pärast hooldus- ja korrashouitöid

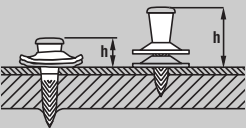


Pärast hooldus- ja korrashouitöid ning enne padruni paigaldamist tuleb kontrollida, kas kõik kaitseseadised on paigaldatud ja on täiesti töokorras.

9 Veatsing

HOIATUS

Enne hooldus- ja parandustöid tuleb eemaldada seadmest padrunid ja kinnituselemendid.

Viga	Võimalik põhjus	Kõrvaldamine
Padrun ei liigu edasi.	Padrunilint on vigastatud.	Vahetage padrunilint välja. Vt punkti: 7.3.1 Padrunite eemaldamine seadmest 8
	Seade on vigastatud.	Pöörduge Hilti hooldekeskusesse.
Padrunilinti ei saa eemaldada.	Seade on vigastatud või liiga suure lasusageduse tõttu üle kuumenenud.	Laske seadmel jahtuda ja püüdke padrunilint ettevaatlikult eemaldada. Monteerige kolvijuhik seadmest maha. Kui padrunihülss on padrunilaagrisse kinni kiilunud, eemaldage see puhastuskomplekti kuuluva ümara vardaga. Kui tõrget ei õnnestu ikka kõrvaldada, pöörduge Hilti hooldekeskusesse.
Padrun ei sütti.	Seade ei ole surutud täielikult vastu pinda.	Suruge seade uuesti vastu pinda ja vallandage uus lask.
	Padrunilint on tühi.	Eemaldage padrunilindist vanad padrunid ja pange sisse uued padrunid.
	Salv ja poldijuhik ei ole piisaval määral kinnitatud.	Pingutage salve rohkem kinni.

Viga	Võimalik põhjus	Kõrvaldamine
Padrun ei sütti.	Üks padrun on ebakvaliteetne.	Vinnastage seade ja kasutage ära ülejäänud padrunid.
	Seade on defektnine või padrunid on ebakvaliteetsed.	Pöörduge Hilti hooldekeskusesse.
	Seade ei ole vinnastatud.	Vinnastage seade. Vt punkti: 8.2.2 Kolvijuhiku puhastamine 18 19 20 21
Nael ei ole tunginud piisavalt sügavale.	Lastud on kanduri kõrvale.	Märkige kanduri asend maha ja korrake lasku kandurisse. Korrigeerige konstruktsiooni nii, et plekk oleks aluspinnal pinnaga ühetasa.
	Paigaldatud on vale kolb.	Valige seadme-kolvi-kinnituselemendi õige kombinatsioon.
	Kolv on kulunud.	Vahetage kolb ja kolvipidur välja.
Nael on tunginud liiga sügavale.	Lastud on kandetalasse.	Valige 2. lasu sihtpunkt selle kõrvale.
	Aluspinna muutunud paksus ja /või tugevus.	Suurendage võimsust vastavalt padrunile või kasutage võimsamat padrunit.
	Liiga väike võimsus.	Suurendage võimsust vastavalt padrunile või kasutage võimsamat padrunit.
	Seade on liiga suurel määral määrdu- nud.	Puhastage seade.
	Kolv on kulunud.	Vahetage kolb ja kolvipidur välja.
	Seade on vigastatud.	Pöörduge Hilti hooldekeskusesse.
	Paigaldatud on vale kolb.	Valige seadme-kolvi-kinnituselemendi õige kombinatsioon.
	Naelte sissetungimissügavus on erinev.	Seade on surutud vastu pinda liiga järsku.
	Ebaühtlane, osaliselt mittetäielik vinnastamine.	Vinnastage seade täielikult.
	Seadme võimsus on ebaühtlane.	Puhastage seade. Asetage kohale uued kuluvad detailid. Kui kõikumine ei lõpe, pöörduge Hilti hooldekeskusesse.
	Praod.	Kolviots on kulunud või osaliselt murdunud.
	Lastud on kandetalasse.	Valige 2. lasu sihtpunkt selle kõrvale.
	Aluspinna suurem paksus ja /või tugevus.	Kontrollige kinnituselemendi sobivust. Kui kinnituselement on õige, suurendage vastavalt padrunile võimsust või kasutage suurema laenguga padrunit.
	Seadet ei saa lahti võtta.	Kolv kiilub kolvipiduris kinni.
	Seade on liiga suurel määral määrdu- nud.	Kolvijuhiku puhastamine Kontrollige, kas kolb on otse. Puhastage seade. Vt punkti: 8.2.2 Kolvijuhiku puhastamine 18 19 20 21

et

Viga	Võimalik põhjus	Kõrvaldamine
Seadet ei saa lahti võtta.	Padrunilint kiilub kinni, seade on üle kuumenenud.	Vt viga „Padrunilinti ei saa eemaldada“. Ärge ületage lubatud lasusagedust.
Lasku ei saa vallandada.	Seadet ei vinnastatud õigesti, vinnastuspide ei ole lähtesendis.	Vinnastage seade täielikult, seadke vinnastuspide lähtesendis.
	Lask on vallandatud enne, kui seade on täielikult vastu pinda surutud.	Suruge seade täielikult vastu pinda ja vallandage lask alles siis.
	Kinnituselementide transportimise häired	Vt punkti: 7.2.1 Kinnituselementide lindi asetamine salve 2 Vt punkti: 7.3.2 Kinnituselementide lindi eemaldamine magasiniga sead-mest 9
	Salv või poldijuhik ei ole täielikult kinni keeratud.	Keerake salv ja üksikpoldijuhik täieli-kult kinni.
	Seade on vigastatud.	Pöörduge Hilti hooldekeskusesse.
Seade on liiga suurel määral määrdu-nud.	Seade on liiga suurel määral määrdu-nud.	Kolvijuhiku puhastamine Kontrollige, kas kolb on otse. Puhastage seade. Vt punkti: 8.2.2 Kolvijuhiku puhasta-mine 18 19 20 21
	Lask on vallandatud enne, kui seade on täielikult vastu pinda surutud.	Suruge seade täielikult vastu pinda ja vallandage lask alles siis.
	Kinnituselemendi laskmine ei õnnestu.	Seadet ei vinnastatud õigesti, vinnas-tuspide ei ole lähtesendis.
Kinnituselemendi laskmine ei õnnestu.	Seadmesse ei ole paigaldatud kinnitu-selemente.	Paigaldage seadmesse kinnitusele-mendid.
	Naelte transport salves ei toimi.	Pöörduge Hilti hooldekeskusesse.
	Kolb on paigaldamata.	Paigaldage seadmesse kolb.
	Kolb on murdunud.	Vahetage kolb ja kolvipidur välja.
	Kolbi ei lähtestata.	Pöörduge Hilti hooldekeskusesse.
	Poldijuhik on määrdu-nud.	Puhastage poldijuhikut ja sellega külgnevaid detaile selleks ettenähtud harjadega. Pihustage Hilti aerosooli (Hilti Spray).
	Kinnituselemendid on poldijuhikusse kinni kiilunud.	Eemaldage kinnikiilunud kinnitusele-mendid. Eemaldage salvest salvelindi plastist jäägid. Vältige pragusid. (vt ülal) Vältige laske kanduri kõrvale; vajaduse korral märgistage koht pare-mini.
	Poldijuhikut ei saa täielikult kin-nitada.	Kolvipidur on valetpidi paigaldatud.
Kolbi ei saa paigaldada.	Kolvijuhik on ühenduskeerme taga määrdu-nud.	Kruvige poldijuhik maha. Asetage kol-vijuhik õigetpidi ja kruvige poldijuhik uuesti külge. Puhastage ja määrige keeret.
	Seade, eelkõige kolvijuhik, on määr-dunud.	Puhastage kolvijuhik ja pange seade uuesti kokku.
Kolvijuhikut ei saa paigaldada.	Tõukuri nina ulatub kolvijuhikusse ja blokeerib kolvi.	Keerake tõukuri nina ette, kuni see saab kohale fiksseruda.
	Hoob on suletud.	Avage hoob.
Vinnastamine on raske.	Kolvijuhik on vales asendis.	Paigaldage kolvijuhik õiges asendis.
	Seade on määrdu-nud.	Puhastage seade. Vt punkti: 8.2.2 Kolvijuhiku puhasta-mine 18 19 20 21

10 Utiliseerimine



Enamik Hilti seadmete valmistamisel kasutatud materjalidest on taaskasutatavad. Materjalid tuleb enne taaskasutust korralikult sorteerida. Paljudes riikides võetakse Hilti esindustes vanu seadmeid utiliseerimiseks vastu. Lisainfot saate Hilti klienditeenindusest või müügiesindusest. Kui soovite seadet ise lahti võtta: järgige kasutusriigis kehtivaid ja rahvusvahelisi direktiive ja eeskirju.

11 Tootja garantii seadmetele

Hilti garanteerib, et tarnitud seadmel ei esine materjali-ega tootmisvigu. Garantii kehtib tingimusel, et seadet kasutatakse, käsitsetakse, hooldatakse ja puhastatakse vastavalt Hilti kasutusjuhendis esitatud nõuetele ja et säilinud on seadme tehniline terviklikkus, s.t. et seadmes on kasutatud üksnes Hilti originaaltarvikuid, -varuosid ja -materjale või teisi samaväärsse kvaliteediga tooteid.

Käesoleva garantii alusel parandatakse või asendatakse defektsed osad tasuta seadme kogu kasutusea jooksul. Detailide normaalne kulumine ei kuulu garantii alla.

Kõik teistsugused nõuded on välistatud, välja arvatud juhul, kui see on vastuolus kasutusriigis kehtivate

seadustega. Elukoige ei vastuta Hilti otseste, kaudsete, juhuslike ega järgnevate kahjustuste, kahjude või kulutuste eest, mille põhjuseks on seadme kasutamine või kasutamise võimatus. Välistatud on kaused kasutatavuse või teatud otstarbeks sobivuse garantiid.

Parandamiseks või asendamiseks tuleb seade ja/või asjaomased osad saata kohe pärast puuduse avastamist Hilti müügiesinduse poolt näidatud aadressile.

Käesolev garantii hõlmab kõiki Hilti garanteerimise kohustusi ning asendab kõiki varasemaid või samal ajal tehtud garantiikohustusi käsitlevaid avaldusi ning kirjalikke ja suulisi kokkuleppeid.

et

12 EÜ-vastavusdeklaratsioon (originaal)

Nimetus:	Naelapüss
Tüübitähis:	DX 76
Generatsioon:	01
Valmistusaasta:	2004

Kinnitame ainuvastutajana, et käesolev toode vastab järgmiste direktiivide ja normide nõuetele: 2006/42/EÜ, 2011/65/EL.

Hilti Corporation, Feldkircherstrasse 100,
FL-9494 Schaan

Norbert Wohlwend
Head of Quality & Processes Management
BU Direct Fastening
04/2013

Tassilo Deinzer
Head of BU Direct Fastening
BU Direct Fastening
04/2013

Tehnilised dokumendid saadaval:

Hilti Entwicklungsgesellschaft mbH
Zulassung Elektrowerkzeuge
Hiltistrasse 6
86916 Kaufering
Deutschland

13 Kinnitus CIP-kontrolli kohta

Hilti seade DX 76 on läbinud tüübikinnitustesti ja seadmele on väljastatud kasutusluba. Selle kohaselt on seade varustatud ruudukujulise PTB-tähisega, kuhu on kantud registreeritud kasutusloa number S 813. Sellega tagab

Hilti seadme vastavuse heakskiidetud tüübile. Kasutamisel tuvastatud lubamatutest puudustest tuleb teavitada kasutusloa väljastanud ameti (PTB) juhti ning alalise rahvusvahelise komisjoni (C.I.P.) bürood.

14 Kasutaja tervis ja ohutus

14.1 Teave müra kohta

Padrunitega käitav naelapüss

Mudel	DX 76
Mudel	Seeria
Kaliiber	6.8/18 sinine
Võimsus	4
Rakendus	Kinnitamine 8 mm terasele (400 MPa), kasutades X-ENP 19 L15MX

Müratase vastavalt masinadirektiivile 2006/42/EÜ koosmõjus standardiga E DIN EN 15895

Helivõimsustase, $L_{WA, 1s}^1$	114 dB (A)
Helirõhutase töötamiskohal, $L_{pA, 1s}^2$	110 dB (A)
Maksimaalne helirõhutase, $L_{pC, peak}^3$	139 dB (C)

$^1 \pm 2$ dB (A)
 $^2 \pm 2$ dB (A)
 $^3 \pm 2$ dB (C)

Töö- ja hoiutingimused: Naelapüssi hoidmine ja kasutamine firma Müller-BBM GmbH vähese helipegeldusega katseruumis kooskõlas standardiga E DIN EN 15895-1. Katseruumi keskkonningimused vastavad standardile DIN EN ISO 3745.

Katsemeetod: Kaetud pinna meetod helipegeldaval vabal väljal kooskõlas standarditega E DIN EN 15895, DIN EN ISO 3745 ja DIN EN ISO 11201.

MÄRKUS: Mõõdetud müratase ja mõõtemääramatus tähistavad mõõtmistel tuvastatavate müranaäitajate piirataset.

Muude töötingimuste puhul võivad mõõtetulemused olla teistsugused.

14.2 Vibratsioon

2006/42/EÜ kohaselt esitatav vibratsioonitase ei ületa $2,5 \text{ m/s}^2$.

Lisateavet kasutaja tervise ja ohutuse kohta leiate Hilti veebisaidilt www.hilti.com/hse.



Hilti Corporation

LI-9494 Schaan

Tel.: +423 / 234 21 11

Fax: +423 / 234 29 65

www.hilti.com

Hilti = registered trademark of Hilti Corp., Schaan

W 2974 | 0414 | 00-Pos. 3 | 1

Printed in Liechtenstein © 2014

Right of technical and programme changes reserved S. E. & O.

282472 / A4

