

Triton 730
Triton 850
Triton 1000
Triton 1000 Plus



ALTO[®]
Total Cleaning
Confidence[™]

(D)	Betriebsanleitung	2
(GB)	Operating Instructions	12
(F)	Instructions de Service	22
(NL)	Gebruiksaanwijzing	32
(I)	Istruzioni sull'uso	42
(N)	Driftsinstruks	52
(S)	Bruksanvisning	62
(DK)	Driftsvejledning	72
(SF)	Käyttöohje	82
(SLO)	Navodilo za uporabo	92
(HR)	Uputstvo za rad	102
(SK)	Prevádzkový návod	112
(CZ)	Provozní návod	122
(PL)	Instrukcja obsługi	132
(H)	Kezelési utasítás	142
(E)	Instrucciones de manejo	152
(P)	Instruções de operação	162
(GR)	Οδηγίες λειτουργίας	172
(TR)	İşletme kılavuzu	182

**WAP
KEW**

TECHNOLOGIES

CE **EG - Konformitätserklärung**

Wap Reinigungssysteme GmbH & Co.
Guido-Oberdorfer-Straße 2-8
D-89287 Bellenberg

Erzeugnis: Hochdruckreiniger

Typ: Triton 730, Triton 850, Triton 1000,
Triton 1000 Plus

Beschreibung: 400 V 3~, 50 Hz
IP X5

**Die Bauart des Gerätes entspricht
folgenden einschlägigen
Bestimmungen:** EG-Maschinenrichtlinie 98/37/EG
EG-Niederspannungsrichtlinie 73/23/EG
EG-Richtlinie EMV 89/336/EG

**Angewendete harmonisierte
Normen:** EN 292
EN 60335-2-79
EN 55014-1, EN 55014-2, EN 61000-3-2

**Angewendete nationale Normen und
technische Spezifikationen:** DIN EN 60335-2-79

Rau

ppa. Rau, Dipl. Ing. (FH)
Leitung Grundlagenentwicklung

Bellenberg, 04.04.2000

CE **Déclaration de conformité CE**

Wap Reinigungssysteme GmbH & Co.
Guido-Oberdorfer-Straße 2-8
D-89287 Bellenberg

Produit : Nettoyeur haute pression

Type: Triton 730, Triton 850, Triton 1000,
Triton 1000 Plus

Description : 400 V 3~, 50 Hz
IP X5

**La construction de cet appareil est
conforme aux réglementations en
vigueur suivantes :** Directive CE relative aux machines 98/37/EG
Directive CE relative à basse tension
73/23/EG
Directive CE EMV 89/336/EG

Normes harmonisées appliquées :
EN 292
EN 60335-2-79
EN 55014-1, EN 55014-2, EN 61000-3-2

Normes harmonisées appliquées :
DIN EN 60335-2-79

Rau

ppa. Rau, Dipl. Ing. (FH)
Direction Recherche et Développement

Bellenberg, 04.04.2000

CE **EU Declaration of Conformity**

Wap Reinigungssysteme GmbH & Co.
Guido-Oberdorfer-Straße 2-8
D-89287 Bellenberg

Product: High Pressure Cleaner

Type: Triton 730, Triton 850, Triton 1000,
Triton 1000 Plus

Description: 400 V 3~, 50 Hz
IP X5

**The design of the unit corresponds
to the following pertinent
regulations:** EC Machine Directive 98/37/EG
EC Low-voltage Directive 73/23/EG
EC EMV Directive 89/336/EG

Applied harmonised standards: EN 292
EN 60335-2-79
EN 55014-1, EN 55014-2, EN 61000-3-2

**Applied national standards and
technical specifications:** DIN EN 60335-2-79

Rau

ppa. Rau, Dipl. Ing. (FH)
Head of Research and Development

Bellenberg, 04.04.2000

CE **Dichiarazione di conformità CE**

Wap Reinigungssysteme GmbH & Co.
Guido-Oberdorfer-Straße 2-8
D-89287 Bellenberg

Prodotto: Pulitrice ad alta pressione

Tipo: Triton 730, Triton 850, Triton 1000,
Triton 1000 Plus

Descrizione: 400 V 3~, 50 Hz
IP X5

**La costruzione dell' apparecchio è
conforme alle seguenti direttive
specifiche:** Direttiva CE sulle macchine 98/37/EG
Direttiva CE sulla bassa tensione 73/23/EG
Direttiva CE sulla compatibilità
elettromagnetica 89/336/EG

Norme armonizzate applicate: EN 292
EN 60335-2-79
EN 55014-1, EN 55014-2, EN 61000-3-2

**Norme nazionali applicate e
specifiche tecniche:** DIN EN 60335-2-79

Rau

ppa. Rau, Dipl. Ing. (FH)
Direttore Ricerca e Sviluppo

Bellenberg, 04.04.2000

CE **Atestado de conformidad de la UE**

Wap Reinigungssysteme GmbH & Co.
Guido-Oberdorfer-Straße 2-8
D-89287 Bellenberg

Producto: Máquina de limpieza a alta presión

Modelo: Triton 730, Triton 850, Triton 1000,
Triton 1000 Plus

Descripción: 400 V 3~, 50 Hz
IP X5

**La construcción de la máquina
corresponde a las siguientes
normas específicas:** R. de la UE para máquinas 98/37/EG
R. de la UE para baja tensión 73/23/EG
R. de la UE para la compati-
bilidad electromagnética 89/336/EG

Normas armonizadas aplicadas: EN 292
EN 60335-2-79
EN 55014-1, EN 55014-2, EN 61000-3-2

**Normas nacionales aplicadas y
especificaciones técnicas:** DIN EN 60335-2-79

Rau

ppa. Rau, Dipl. Ing. (FH)
Director Investigación y Desarrollo

Bellenberg, 04.04.2000

CE **EG-Verklaring van overeenstemming**

Wap Reinigungssysteme GmbH & Co.
Guido-Oberdorfer-Straße 2-8
D-89287 Bellenberg

Produkt: Hogedrukreiniger

Type: Triton 730, Triton 850, Triton 1000,
Triton 1000 Plus

Beschrijving: 400 V 3~, 50 Hz
IP X5

**De constructie van het apparaat
voldoet aan de volgende van
toepassing zijnde voorschriften:** EG-machinerichtlijn 98/37/EG
EG-laagspanningsrichtlijn 73/23/EG
EG-richtlijn EMV 89/336/EG

**Toegepaste geharmoniseerde
normen:** EN 292
EN 60335-2-79
EN 55014-1, EN 55014-2, EN 61000-3-2

**Toegepaste nationale normen en
technische specificaties:** DIN EN 60335-2-79

Rau

ppa. Rau, Dipl. Ing. (FH)
Chef onderzoek en ontwikkeling

Bellenberg, 04.04.2000



Atestado de conformidade da UE

Wap Reinigungssysteme GmbH & Co.
Guido-Oberdorfer-Straße 2-8
D-89287 Bellenberg

Produto: Máquina de limpeza de alta pressão
Modelo: Triton 730, Triton 850, Triton 1000, Triton 1000 Plus
Descrição: 400 V 3~, 50 Hz
IP X5

A construção da máquina corresponde às seguintes normas específicas: Directiva UE para máquinas 98/37/EG
Directiva UE para baixa tensão 73/23/EG
Directiva para a compatibilidade electromagnética 89/336/EG

Normas harmonizadas aplicadas: EN 292
EN 60335-2-79
EN 55014-1, EN 55014-2, EN 61000-3-2

Normas nacionais aplicadas e especificações técnicas: DIN EN 60335-2-79

ppa. A. Rau (Engenheiro)
Diretor de Pesquisas e Desenvolvimento

Bellenberg, 04.04.2000



Δήλωση ανταπόκρισης ΕΟΚ

Wap Reinigungssysteme GmbH & Co.
Guido-Oberdorfer-Straße 2-8
D-89287 Bellenberg

Προϊόν: Μηχανή καθαρισμού υψηλής πίεσης
Τύπος: Triton 730, Triton 850, Triton 1000, Triton 1000 Plus
Περιγραφή: 400 V 3~, 50 Hz
IP X5

Ο κατασκευαστικός τύπος της συσκευής ανταποκρίνεται στους ακόλουθους σχετικούς κανονισμούς: Οδηγία περί μηχανών ΕΟΚ 98/37/ΕΟΚ
Οδηγία χαμηλών τάσεων ΕΟΚ 73/23/ΕΟΚ
Οδηγία περί ηλεκτρομαγνητικής συμβατότητας 89/336/ΕΟΚ

Εφαρμοσθείσες αναρμωσμένες προδιαγραφές: EN 292
EN 60335-2-79
EN 55014-1, EN 55014-2, EN 61000-3-2

Εφαρμοσθείσες εθνικές προδιαγραφές και τεχνικοί προσδιορισμοί: DIN EN 60335-2-79

Διπλ. μηχαν. Α. Rau
Υπεύθυνος ερευνητικού τμήματος

Bellenberg, 04.04.2000



EF-konformitetserklæring

Wap Reinigungssysteme GmbH & Co.
Guido-Oberdorfer-Straße 2-8
D-89287 Bellenberg

Produkt: Høytrykks-rengjøringsapparat
Type: Triton 730, Triton 850, Triton 1000, Triton 1000 Plus
Beskrivelse: 400 V 3~, 50 Hz
IP X5

Apparatets konstruksjonstype er i samsvar med følgende gjeldende bestemmelser: EF-maskindirektiv 98/37/EEC
EF-lavspenningsdirektiv 73/23/EEC
EF-direktiv elektromagnetisk kompatibilitet 89/336/EEC

Anvendte harmoniserte standarder: EN 292
EN 60335-2-79
EN 55014-1, EN 55014-2, EN 61000-3-2

Anvendte nasjonale standarder og tekniske spesifikasjoner: DIN EN 60335-2-79

p.p. Rau, dipl.-ing. (FH) A. Rau
Leder forskning og utvikling

Bellenberg, 04.04.2000



EG-försäkran om överensstämmelse

Wap Reinigungssysteme GmbH & Co.
Guido-Oberdorfer-Straße 2-8
D-89287 Bellenberg

Produkt: Högtryckstvätt
Typ: Triton 730, Triton 850, Triton 1000, Triton 1000 Plus
Beskrivning: 400 V 3~, 50 Hz
IP X5

Apparatens konstruktion motsvarar följande tillämpliga bestämmelser: EG-maskindirektiv 98/37/EG
EG-lågspänningsdirektiv 73/23/EG
EG-direktiv EMK 89/336/EG

Tillämpade harmoniserade normer: EN 292
EN 60335-2-79
EN 55014-1, EN 55014-2, EN 61000-3-2

Tillämpade nationella normer och tekniska specifikationer: DIN EN 60335-2-79

per procura, Rau, dipl.-ing (FH)
Ledare för forskning och utveckling

Bellenberg, 04.04.2000



EF-overensstemmelsesattest

Wap Reinigungssysteme GmbH & Co.
Guido-Oberdorfer-Straße 2-8
D-89287 Bellenberg

Produkt : Højtryksrensere
Type : Triton 730, Triton 850, Triton 1000, Triton 1000 Plus
Beskrivelse: 400 V 3~, 50 Hz
IP X5

Konstruktionen af dette apparat opfylder følgende gældende bestemmelser: EF-maskindirektiv 98/37/EOEF
EF-lavspændingsdirektiv 73/23/EOEF
EF-direktiv vedr. elektromagnetisk fordragelighed 89/336/EOEF

Anvendte harmoniserede standarder: EN 292
EN 60335-2-79
EN 55014-1, EN 55014-2, EN 61000-3-2

Anvendte tyske standarder og tekniske specifikationer: DIN EN 60335-2-79

p.pa. Rau
Leder forskning og udvikling

Bellenberg, 04.04.2000



EY-Vaatumustenmukaisuusvakuutus

Wap Reinigungssysteme GmbH & Co.
Guido-Oberdorfer-Straße 2-8
D-89287 Bellenberg

Tuote: Korkeapainepesuri
Tyyppi: Triton 730, Triton 850, Triton 1000, Triton 1000 Plus
Kuvaus: 400 V 3~, 50 Hz
IP X5

Tämän laitteen rakenne vastaa seuraavia määräyksiä: EY-konedirektiivi 98/37/EG
EY-pienjännittdirektiivi 73/23/EG
EY-direktiivi EMV 89/336/EG

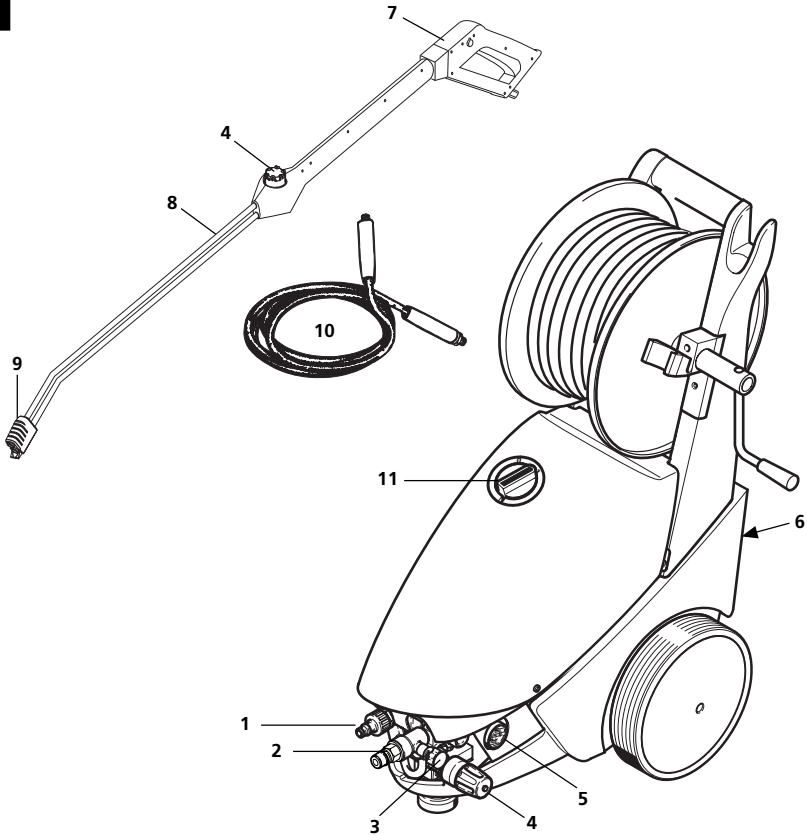
Käytetyt harmonisoidut normit: EN 292
EN 60335-2-79
EN 55014-1, EN 55014-2, EN 61000-3-2

Käytetyt kansalliset normit ja tekniset spesifikaatiot: DIN EN 60335-2-79

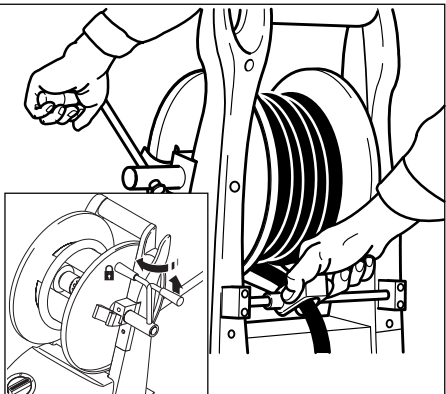
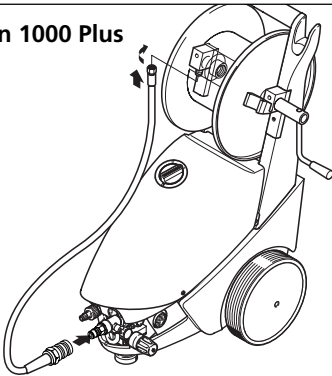
ppa. Dipl.-Ing. (FH) A. Rau
Kehitys- ja tutkimusjohtaja

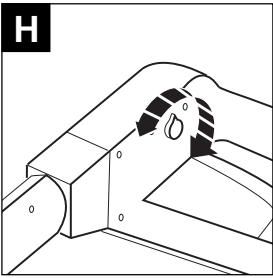
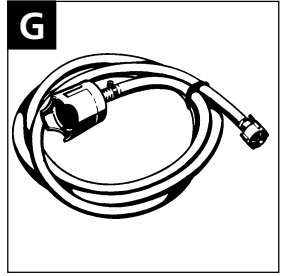
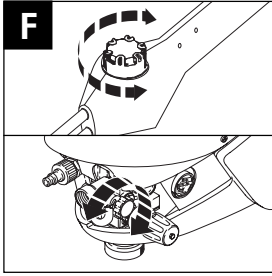
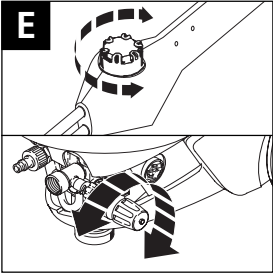
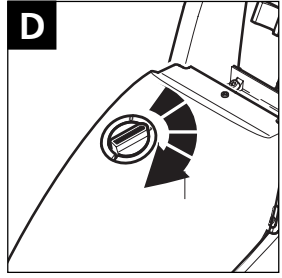
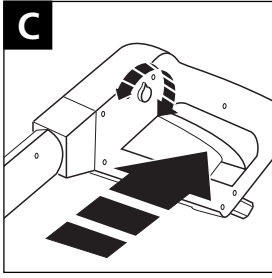
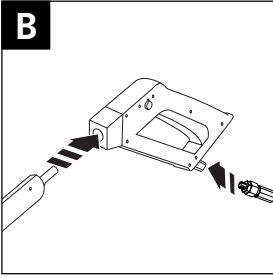
Bellenberg, 04.04.2000

A



Triton 1000 Plus





We congratulate you on your new ALTO High Pressure Washer

We are confident that the new high pressure washer of ALTO will justify your expectations of quick and effective cleaning. Now you have a cleaning device which will facilitate your future cleaning tasks and make them more effective. Many tasks which were previously difficult, can now be solved in a few minutes and with a much better result.

If, contrary to expectations, problems should arise which cannot be remedied by means of the information in section 7.0, the ALTO service organization will be at your disposal.

ALTO is a global concern with a comprehensive knowledge within development and manufacturing of efficient and environmentally friendly cleaning solutions. Our product range comprises cleaning solutions for selected customer groups - from machines for domestic use to big industrial cleaning systems.

The expertise of ALTO is cleaning focusing the need of the customer. The key word is confidence - we name it Total Cleaning Confidence™. Our wish is that you as a customer should feel quite confident that the cleaning equipment you buy from us is the most efficient and that it fulfils all of your expectations.

Best regards

ALTO Danmark A/S

Contents

1.0 Preparation	13
2.0 Operating instructions	14
3.0 Accessories	15
4.0 Cleaning with a high pressure washer	16-18
5.0 Maintenance	19
6.0 Storage	19
7.0 Trouble shooting guide	20
8.0 Specifications	21

Fields of application

This product is specially designed for professional cleaning jobs in :

*Farming, Transportation, Food Industry,
Buildings etc.*

Section 4.0 describes how the high pressure washer is typically used for the execution of a number of cleaning tasks.

Before starting up your high pressure washer, we advise you to carefully read through this instruction manual. Follow all instructions to minimize the risk of injuries when using the machine.

Prior to operation

Before starting up your machine please check it carefully for any defects. If you find any, do not start up your machine and contact your ALTO distributor.

Especially check:

- The insulation of the electric cable should be faultless and without any cracks. If the electric cable is damaged, it should be replaced by an authorized ALTO distributor.

Mains power connection

The following should be observed when connecting the high pressure washer to the electric installation:

- Only connect the machine to an installation with earth connection.
- The electric installation shall be made by a certified electrician.
- It is strongly recommended that the electric supply to this machine should include a residual current device (GFCI).

Extension cable

Extension cables should be of a watertight construction and comply with the below-mentioned requirements for length and cable dimensions.

1.5 mm ²	max	20	m
2.5 mm ²	max	50	m

- Cable connections should be kept dry and off the ground.
- Always uncoil the extension cable completely to avoid heat damage to the cable.

Water connection

Connect the high pressure washer by means of a water hose to the water tap. You may use an ordinary ¾" garden hose of **min. 5 m** and **max. 25 m**. Attach the hose using a quick connector.

NOTE: Connection to the public mains according to regulations.

IMPORTANT! Only use water without any impurities. If there is a risk of running sand in the inlet water (i.e. from your own well), a filter should be mounted.

Safety precautions

- **WARNING!** High pressure jets can be dangerous. Never direct the water jet at persons, pets, live electrical equipment or the machine itself.
- The operator and anyone in the immediate vicinity of the site of cleaning should take action to protect themselves from being struck by debris dislodged during operation. Wear goggles during operation.
- Never try to clean clothes or footwear on yourself or other persons.
- Do not let children or people who have not read the instruction manual operate the machine.
- Never use the machine in an environment where there could be a danger of explosion. If any doubt arises, please contact the local authorities.
- It is not allowed to clean asbestos-containing surfaces with high pressure.



Safety devices

Locking device on spray handle

The spray handle features a locking device (5b). When the pawl is activated, the spray handle cannot be operated.

Thermal sensor

A thermal sensor protects the motor against overloading. The machine will restart after a few minutes when the thermal sensor has cooled.

2.1 Operating facilities (fig. A)

- 1 Water connection
- 2 High pressure outlet
- 3 Cleaning agent metering unit
- 4 Pressure/volume regulator
- 5 Pressure gauge
- 6 Cleaning agent tank
- 7 Trigger with lock
- 8 Spray lance with pressure regulation
- 9 Nozzles
- 10 High-pressure hose
- 11 On/Off switch

2.2 Connection

1. Attach the high pressure hose to the high pressure washer.

2. Mount the nozzle or any other equipment you want to use (**fig. B**).

Note: When attaching to the snap connector, the pawl on the side of the connector should come out again. Press the pawl to detach the equipment.

3. Connect the machine to the water and power supplies.

2.3 Start

1. Activate trigger and let the water run out until any air has escaped from the inlet hose (**fig. C**).
2. Turn the On/Off switch (fig. D) into pos. 1 (**fig. D**).

2.4 Operation

1. The spray lance is affected by a recoil force during operation - therefore always hold it firmly with both hands.
2. Select high or low pressure (**fig. E**):
Turn pressure reducing valve
 - clockwise = high pressure
 - counterclockwise = low pressure
 - = addition of detergents (**fig. F**)
3. Activate the trigger of the spray handle (fig. C).
4. Always adjust the distance and thus the pressure of the nozzle to the surface which is to be cleaned.



NOTE: Do not cover the machine during operation.

Suction mode (fig. G)

1. Before using the cleaner in suction mode, first connect the cleaner to the water tap via the water hose and switch on briefly. This is important in order to avoid dry running during suction operation.
2. Unscrew the water hose.
3. Remove the tap connection or hose adapter.
4. Screw the suction set directly to the water connection and fill the hose with water via the suction screen. Hang the other end of the suction hose into the water reservoir.

NOTE: The internal filter of the machine is not intended for the filtration of large quantities of impurities. If the water contains leaves, sand or the like, an external suction filter should be mounted. For further information, please contact your nearest ALTO distributor.

2.5 End of operation

1. Stop the machine by turning the start/stop switch into pos. 0.
2. Close the metering valve (**fig. F**)
3. Turn off the water tap
4. Activate the trigger (fig. F) to relieve the machine of pressure.
5. Insert the trigger lock (**fig. H**)
6. Disconnect the plug from the socket.
7. Disconnect the water hose from the cleaner. Concerning storage, please refer to section 6.0.

The use of different equipment and detergents adds a mechanical or chemical effect to the cleaning process. This allows you to reduce cleaning time. ALTO has a full range of equipment and detergents, adapted to most cleaning tasks. Here are just some examples. Ask your ALTO dealer for specific information.

Equipment

Only use original equipment.

To increase your working radius

- Different length hoses
- Hose reels for 20 to 70m hoses
- Long reaching lances – water jets up to 7m

To clean in difficult to reach places

- Short lances
- Curved lances
- Pipe and drain cleaners
- Underchassis washers
- Tank and barrel cleaners

For perfect floor cleaning

- Powerspeed or Turbo Hammer rotary lances
- Hydroscrub floor cleaner
- Floor Cleaner
- Powerscraper and Powerlift lances for Agriculture

Brush away the dirt

- Rotary brushes
- Long reach brushes

Surface Treatment and Preparation

- Sandblasting
- Softblasting (anti-graffiti)

Detergent Application

- External injectors
- Foam lances

Detergents

Only use original detergents. The use of the wrong detergent may damage the components of your pressure washer.

ALTO offers more than 40 detergents for a wide range of cleaning or preservation tasks. The detergents are developed by ALTO in order to guarantee the best cleaning effect and to preserve the working life of the products. Ask your ALTO dealer for specific information.

Amongst the ALTO detergent range are :

Vehicle cleaning

Active Foam

A high foaming, neutral car shampoo ideal for pollution, grease and oils.

Super Plus

A high foaming, alkaline detergent for vehicle bodywork.

Active Wax

A slightly acidic liquid wax for the protection of vehicle bodywork.

Cleaning of hard surfaces in Agriculture, Industry, Food

Universal

A neutral, low foaming detergent for cleaning of grease, oils and fats.

J25 Multi

An alkaline, universal cleaner for hard floors and metals.

Alkafoam

A high foaming, alkaline cleaner ideal for cleaning and soaking in agriculture.

4.1 General Information

Efficient high pressure cleaning is achieved by following a few guidelines, combined with your own personal experience of specific cleaning tasks. Accessories and detergents, when correctly chosen, can increase the efficiency of your pressure washer. Here is some basic information about cleaning.

- **Soaking** Incrusted or thick layers of dirt can be loosened or softened up by a period of soaking. This is for example an ideal method within agriculture – for example, within pig sties. The ideal soaking method can be achieved via use of foam or simple alkaline detergent. Let the product lie on the dirty surfaces for around 30 minutes before pressure washing. The result will be a much quicker high pressure cleaning process.
- **Detergent and Foam Application** Foam or detergent should be applied onto dry surfaces so that the chemical product is in direct contact with the dirt. Detergents are applied from bottom to top, for example on a car bodywork, in order to avoid “super

clean” areas, where the detergent collects in higher concentration and streams downwards. Let the detergent react several minutes before cleaning off.

- **Temperature** Detergents are more effective at higher temperatures. Greases, oils and fats can be broken down more easily at higher temperatures also. Proteins can be cleaning at temperatures of around 60°C. Oils, pollution and grease can be cleaning between 70° and 90° C.
- **Mechanical Effect** In order to break down tough layers of dirt, additional mechanical effect may be required. Special lances and rotary or wash brushes offer this supplementary effect that cuts through dirt. Use a brush to cut through e.g. traffic film.
- **High Water Flow or High Pressure** High pressure is not always the best solution and high pressure may damage surfaces. The cleaning effect also depends upon water flow. Pressure levels of around 100 bar may be sufficient for vehicle cleaning (in association with hot water). Higher flow levels give the possibility to rinse and flush away large amounts of dirt easily.

4.2 Some typical cleaning tasks

Agriculture

Task	Accessories	Method
Stables Pig Pens, Sties	Chemical Foam Injectors Foam lance. Powerspeed lance.	foam to all surfaces (bottom to top) and wait for approx 30 minutes. 2. Remove the dirt from surfaces with the high pressure lance or chosen accessory. Again, clean from bottom to top on vertical surfaces.
Cleaning of walls, floors and equipment.	Floor Cleaner Powerscraper/ Powerlift lance	3. To flush away large quantities of dirt, change to low pressure mode and use the higher flow to push away the dirt. 4. Use recommended disinfectant products and methods to ensure hygiene. Only apply disinfectants once the dirt has been fully removed.
Disinfection	Detergents Universal Alkafoam Disinfectant DES 3000	
	1. Soaking – apply	

Continued

Agriculture (cont.)

Task	Accessories	Method
Machinery Tractors, ploughs etc.	Standard lance. Detergent injection Powerspeed lances Curved lances and underchassis wash- ers. Brushes.	<ol style="list-style-type: none"> 1. Apply detergent to vehicle or equipment surfaces in order to soften up dirt and grime. Apply from bottom to top. 2. Proceed with cleaning using the high pressure lance. Clean again from bottom to top. Use accessories to clean in difficult to reach places. 3. Clean fragile areas such as motors, rubber at lower pressure levels to avoid damage.

Vehicle

Task	Accessories	Method
Vehicle bodywork.	Standard lance Detergent injection Curved lances and underchassis wash- ers Brushes Detergents Aktive Shampoo Aktive Foam Sapphire Super Plus Aktive Wax Allosil RimTop	<ol style="list-style-type: none"> 1. Apply detergent to vehicle or equipment surfaces in order to soften up dirt and grime. Apply from bottom to top. In cases of particularly dirty vehicles, pre-spray with a product such as Allosil in order to remove traces of insects etc, then rinse at low pressure and apply normal car cleaning detergent. Let detergents settle for 5 minutes before cleaning off. Metallic surfaces can be cleaned using RimTop. 2. Proceed with cleaning using the high pressure lance. Clean again from bottom to top. Use accessories to clean in difficult to reach places. Use brushes in order to add a mechanical cleaning effect. Short lances can help for cleaning of motors and wheel arches. Curved lances or undercarriage washers can be valuable for the cleaning of car underchassis and wheel arches. 3. Clean fragile areas such as motors, rubber at lower pressure levels to avoid damage. 4. Apply a liquid wax using the pressure washer in order to protect the bodywork from pollution.

Buildings and Equipment (Food, Pharmaceutical, Cosmetic Industry etc.)

Task	Accessories	Method
General surfaces	Foam injectors Standard lance Curved lances	1. Apply thick foam over the surfaces to be cleaned. Apply on dry surfaces. Apply from top to bottom on vertical surfaces. Let the foam act for up to 30 minutes for the optimal effect.
Metallic equipment	Tank cleaning heads. Detergents Intensive J25 Multi Combi Aktive Alkafoam Disinfectant DES 3000	2. After this time, clean down with the high pressure lance or relevant accessory. Use high pressure to dislodge large amounts of incrustated dirt or grime. Use lower pressure and high water volume in order to rapidly flush away loose dirt and rinse surfaces. 3. Apply DES 3000 disinfectant once the surfaces are perfectly clean. Areas covered by amounts of loose dirt, such as animal remains in slaughterhouses, can be removed by using high water flow to flush away the dirt to evacuation pits or drains. Tank cleaning heads can be used to clean barrels, vats, mixing tanks etc. Cleaning heads may be hydraulically or electrically powered and give the possibility for automatic cleaning without a constant user. Rusted or damages surfaces prior to treatment.
Wet Sandblasting equipment.	1. Connect the sandblasting lance to the	pressure washer and place the suction tube in the sand. 2. Always wear protective equipment during sandblasting. 3. Spray the surfaces to be treated with the mix of water and sand. Rust, paint etc will be stripped off. 4. Following sandblasting, protect surfaces against rust (metal) or rot (wood). These are merely several examples of cleaning tasks that can

be solved by a pressure washer in association with accessories and detergents. Each cleaning task is different, so please consult your local dealer or ALTO representative in order to discuss the best solution for your own cleaning problem.

5.0 Maintenance

WARNING! Always disconnect the plug from the socket prior to maintenance or cleaning. To ensure a long and problem free working life, please take the following advice:

- Wash out water hose, high pressure hose, spray lance and accessories before mounting.
- Clean the couplings of dust and sand.
- Rinse the foam sprayer after use.

Any repair should always be made in an authorised workshop with original spare parts.

5.1 Cleaning of nozzle

A clogging up in the nozzle causes a pump pressure which is too high. This is why cleaning is required immediately.

1. Stop the machine and disconnect the nozzle.
2. Clean the nozzle with a cleaning needle.
IMPORTANT: The needle should only be used when the spray lance is detached!
3. Flush the spray lance backwards with water.

5.2 Cleaning of water inlet filter

Clean the water inlet filter regularly once a month or more frequently according to use. Carefully loosen the filter with a screwdriver and clean it. Check that it is intact before re-mounting it.

5.3 Cleaning of machine vents

The machine should be kept clean so as to let cooling air pass freely through the machine vents.

5.4 Oil level Check / Oil change

Check the oil level in the cleaner at regular intervals. The casing has to be removed in order to check the oil level. Change the oil in the cleaner every 200 operating hours.

Oil grade: Alpha-Synt

Capacity: see 'Technical Data'

Maximum filling level: up to the middle of the oil sight glass

6.0 Storage

GB

Frost protection

If the high pressure cleaner is stored in a room in which temperatures below freezing may occur, anti-freeze must be drawn in through the pump before storage.

During the intake of the anti-freeze, press the trigger of the spray gun 2 to 3 times. In order to rule out any risks, the cleaner should preferably be stored in a heated room for some time before putting it into service again.

Frost damages are not covered by the guarantee!

7.0 Trouble shooting guide

GB

To avoid unnecessary disappointments, you should check the following before contacting the ALTO service organisation:

Symptom	Cause	Recommended action
Machine refuses to start	Machine not plugged in Defective socket Fuse has blown Defective extension cable	Plug in machine. Try another socket. Replace fuse. Switch off other machines. Try without the extension cable.
Motor buzzes	Mains voltage is too low, or phase failure Pump is jammed or frozen Incorrect cross-section or length of extension cable Spray gun has not been actuated	Have the electrical connection checked Turn the motor by hand as described under „Putting into service after prolonged storage“ Use correct cable cross-section or length, see „Safety precautions“ Switch on cleaner and actuate the spray gun trigger
Machine stops	Fuse has blown Incorrect mains voltage Thermal sensor activated	Replace fuse. Switch off other machines. Check that the mains voltage corresponds to specification on the model tag. Wait - the machine will start after a few minutes. WARNING! The trigger of the spray handle must not be activated.
Fuse blows	Fuse too small	Change to an installation higher than the amp. consumption of the machine. You may try without the extension cable.
Machine pulsating	Air in inlet hose/pump Inadequate supply of water Nozzle partially blocked Water filter blocked Hose kinked High pressure hoses too long	Allow machine to run with open trigger until regular working pressure resumes. Check that the water supply corresponds to mains water specifications required (see model tag) NB! Avoid using long, thin hoses (min 1/2") Clean the nozzle (see section 5.1) Clean the filter (see section 5.2) Straighten out hose. Disconnect high pressure extension hoses and retry
Machine often starts and stops by itself	Pump/spray handle is leaking	Contact your nearest ALTO Service Centre.
Machine starts, but no water comes out	Pump/hoses or accessory frozen No water supply Water filter blocked Nozzle blocked	Wait for pump/hoses or accessory to thaw. Connect inlet water. Clean the filter (see section 5.2) Clean the nozzle (see section 5.1)

In case problems other than the above occur, please contact your local ALTO distributor.

8.0 Specification

GB

The technical specifications for the machine are - in accordance with legislation - shown on the machine sign.

Below please find further specifications, which can be of use for the user:

		Triton 730	Triton 850	Triton 1000	Triton1000 Plus
Working pressure	bar	110-20	180-20	195-20	195-20
Volume flow	l/h	730-250	850-250	900-250	900-25
Voltage 230 V 1~		EU			
Voltage 230-240 V 1~		GB			
Voltage 200 V 3~			JP	JP	JP
Voltage 220 V 3~			JP	JP	JP
Voltage 230 V 3~			BE	BE	
Voltage 380 V 3~			EXP, BR	EXP, BR	EXP
Voltage 380-415 V 3~					
Voltage 400 V 3~			EU, FR	EU, FR	EU, FR
Voltage 400-415 V 3~			AU, GB	AU, GB	
Frequency	Hz	50	50	50	50
			60 (JP)	60 (JP, KR)	60 (JP, KR)
Fuse	A	16	16	16	16
		13 (GB)			
Connected electric load	kW	3,0	5.9	6.7	6.7
Max. inlet temperature	°C	50	50	50	50
Max. water supply pressure	bar	10	10	10	10
Dimensions	LxBxH	650 x 402 x 885			
Weight of cleaner	kg	42	42	43	47
Weight of spraying device	kg	5	5	5	5
Sound pressure level at a distance of 1m from the machine					
DIN 45635	dB(A)	76,2	80,7	82,6	82,6
Oil fill capacity	l	0,35	0.35	0.35	0.35
Recoil forces	N	39	45	49	49

Please note the specifications given on the rating plate!

We reserve the right to make alterations.



INTERNET
<http://www.alto-online.com>

ALTO HEADQUARTERS

Incentive International A/S
Kongens Nytorv 28
P.O.Box 2064
1013 Copenhagen K
Tel.: +45 33 11 11 42
Fax: +45 33 93 46 36
E-mail: incentive@incentive-dk.com

SUBSIDIARIES

AUSTRALIA

ALTO Overseas Inc.
11B/8 Resolution Drive
P.O.Box 797
Caringbah, N.S.W. 2229
Tel.: +61 2 95 24 61 22
Fax: +61 2 95 24 52 56

AUSTRIA

ALTO Österreich GmbH
Metzgerstr. 68
5101 Bergheim/Salzburg
Tel.: +43 6624 5 64 00-18
Fax: +43 6624 5 64 00-34
E-mail: wap@salzburg.co.at

BRASIL

Wap do Brasil Ltda.
Rua 25 de Agosto, 608
83323-260 Pinhais/Paraná
Tel.: +55 4 16 67 40 26
Fax: +55 4 16 67 47 99
E-mail: wap@wapltda.com.br

CANADA

ALTO Canada
24 Constellation Road
Rexdale
Ontario M9W 1K1
Tel.: +1 41 66 75 58 30
Fax: +1 41 66 75 69 89

CROATIA

Wap ALTO Strojevi za čišćenje, d.o.o.
Siget 18a
10020 Zagreb
Tel.: +385 16 55 41 44
Fax: +385 16 55 41 12

CZECH REPUBLIC

ALTO Česká Republika s.r.o.
Zateckých 9
14000 Praha 4
Tel.: +420 2 41 40 84 19
Fax: +420 2 41 40 84 39
E-mail: wap_p@mbox.vol.cz
Web: www.wap-alto.cz

DENMARK

ALTO Danmark A/S
Industrikvarteret
9560 Hadsund
Tel.: +45 72 18 21 00
Fax: +45 72 18 21 05
E-mail: service@alto-dk.com

ALTO Danmark A/S (food division)
Blytækkervej 2,
9000 Aalborg
Tel.: +45 72 18 21 00
Fax: +45 72 18 20 99
E-mail: scanio.technology@alto-dk.com

FRANCE

ALTO France S.A.
B.P. 44, 4 Place d'Ostwald
67036 Strasbourg Cedex 2
Tel.: +33 3 88 28 84 00
Fax: +33 3 88 30 05 00
E-mail: info@alto-fr.com

GERMANY

Wap ALTO Group
ALTO Deutschland GmbH
Guido-Oberdorfer-Straße 2-8
89287 Bellenberg
Tel.: +49 0180 5 37 37 37
Fax: +49 0180 5 37 37 38
E-mail: info@wap-online.de

GREAT BRITAIN

ALTO Cleaning Systems
(UK) Ltd.
Bowerbank Way
Gilwilly Industrial Estate, Penrith
Cumbria CA11 9BN
Tel.: +44 1 7 68 86 89 95
Fax: +44 1 7 68 86 47 13
E-mail: sales@alto-uk.com

HONG KONG

ALTO Hong Kong
RM 602, Tower B,
Regent Ctr.
70, Ta Chuen Ping Street
Kwai Chung
Hong Kong
Tel.: +852 26 10 10 42
Fax: +852 26 10 10 47
E-mail: waphk@netnavigator.com

JAPAN

ALTO Danmark A/S Japan
Representative Office
Naruse-build 4F
7-2 Shinbashi 1-Chome, Minato-Ku
J-Tokyo 105-004
Tel.: +81 3 35 69 38 07
Fax: +81 3 35 69 38 08
E-mail: alto-jpn@aquafamilie.ne.jp

NETHERLANDS

Wap ALTO Nederland B.V.
Postbus 65
3370 AB Hardinxveld-
Giessendam
Tel.: +31 18 46 67 72 00
Fax +31 18 46 67 72 01
E-mail: info@alto-nl.com

NORWAY

ALTO Norge A/S
Bjørnerudveien 24
1266 Oslo
Tel.: +47 22 75 17 70
Fax: +47 22 75 17 71
E-mail: info@alto-no.com

SINGAPORE

ALTO DEN-SIN Singapore Pte Ltd.
No. 17 Link Road
Singapore 619034
Tel.: +65 2 68 10 06
Fax: +65 2 68 49 16
E-mail: densin@singnet.com.sg
Web: www.densin.com

SLOVENIA

Wap čistilni sistemi, d.o.o.
Letališka 33
SLO-1110 Ljubljana
Tel.: +368 15 24 23 06
Fax: +368 15 40 42 94
E-mail: wap.prodaja@siol.com

SLOWAKIA

Wap čistiace systémy spol. s.r.o.
Vajnorská 135
83237 Bratislava
Tel.: +421 7 44 25 96 64
Fax: +421 7 44 25 79 44
E-mail: wap@gtinet.sk
Web: www.wap-alto.sk

SPAIN

ALTO Iberica S.L.
Calle de la Majada No. 4
28760 Tres Cantos - Madrid
Tel.: +34 91 8 04 62 56
Fax: +34 91 8 04 64 63
E-mail: info@alto-es.com

SWEDEN

ALTO Sverige AB
Aminogatan 18
S-431 04 Mölndal
Tel.: +46 3 17 06 73 00
Fax: +46 3 17 06 73 41
E-mail: info@alto-se.com

SWITZERLAND

ALTO Schweiz AG
Allmendstr. 14
5612 Villmergen
Tel.: +41 56 618 85 00
Fax: +41 56 618 85 10
E-mail: info@alto-ch.com

USA

ALTO U.S.Inc
16253 Swingley Ridge Road
Suite 200
Chesterfield, MO 63017-1544
Tel.: +1 63 65 30 08 71
Fax: +1 63 65 30 08 72
E-mail: info@alto-us.com

ALTO U.S.Inc
2100 Highway 265
Springdale, Arkansas 72764
Tel.: +1 50 17 50 10 00
Fax: +1 50 17 56 07 19
E-mail: info@alto-us.com

ALTO U.S.Inc
1100 Haskins Road
Bowling Green, Ohio 43402
Tel.: +1 41 93 52 75 11
Fax: +1 41 93 53 71 87
E-mail: info@alto-us.com