

Operator's Manual

Vibratory Plate BPU 2540A, 3050A, 3750A's

5000191492	06	0811
------------	----	------





Manufacturer

Wacker Neuson Produktion GmbH & Co. KG
Preußenstraße 41
80809 München
www.wackerneuson.com

Tel.: +49-(0)89-354 02-0
Fax: +49-(0)89-354 02-390

Translation of the original operator's manual in German

1 Foreword

This operator's manual contains information and procedures for the safe operation and maintenance of your Wacker Neuson machine. In the interest of your own safety and to prevent accidents, you should carefully read through the safety information, familiarize yourself with it and observe it at all times.

This operator's manual is not a manual for extensive maintenance and repair work. Such work should be carried out by Wacker Neuson service or authorized specialists.

The safety of the operator was one of the most important aspects taken into consideration when this machine was designed. Nevertheless, improper use or incorrect maintenance can pose a risk. Please operate and maintain your Wacker Neuson machine in accordance with the instructions in this operator's manual. Your reward will be troublefree operation and a high degree of availability.

Defective machine parts must be replaced immediately!

Please contact your Wacker Neuson representative if you have any questions concerning operation or maintenance.

All rights reserved, especially reproduction and distribution rights.

Copyright 2011 Wacker Neuson Produktion GmbH & Co. KG

No part of this publication may be reproduced in any form or by any means, electronic or mechanical, including photocopying, without the expressed written permission of Wacker Neuson.

Any type of reproduction, distribution or storage on data media of any type and form not authorized by Wacker Neuson represents an infringement of copyright and will be prosecuted.

We expressly reserve the right to make technical modifications – even without special notice – which aim at further improving our machines or their safety standards.

DESCRIPTION	23
Description of function	23
TRANSPORT TO WORK SITE, RECOMMENDATIONS ON COMPACTION	24
Transport to work site	24
Recommendations on compaction	24
OPERATION	25
Engine check before starting	25
Starting the engine	25
Operation the engine	27
Forward and reverse motion	27
Stopping the engine	28
MAINTENANCE	29
Maintenance schedule	29
Engine oil	30
Hydraulic control	31
Exciter	31
Exciter V-belt	31
Fuel strainer cup cleaning	32
Spark plug	32
Carburettor adjustment	32
Air filter service	33
FAULTS	34
Reverse speed too low	34
Forward speed too low	34
No advance	34
Loss of hydraulic oil	34
Engine does not start	34

2 Safety

2.1 Principle

State of the art

This machine has been constructed with state-of-the-art technology according to the recognized rules of safety. Nevertheless, when used improperly, dangers to the life and limb of the operator or to third persons or damage to the machine or other materials cannot be excluded.

Proper use

The machine must only be used for the following purposes:

- Compaction of soils.
- Compaction of asphalt.
- Shaking in of paving stones.

The machine may not be used for the following purposes:

- Compaction of intensely cohesive soils.
- Compaction of frozen soils.
- Compaction of hard, non-compactable soils.
- Compaction of soils that are not capable of bearing a load.

Its proper use also includes the observance of all instructions contained in this operator's manual as well as complying with the required service and maintenance instructions.

Any other use is regarded as improper. Any damage resulting from improper use will void the warranty and the liability on behalf of the manufacturer. The operator assumes full responsibility.

Structural modifications

Never attempt to modify the machine without the written permission of the manufacturer. To do so will endanger your safety and the safety of other people! In addition, this will void the warranty and the liability on behalf of the manufacturer.

Especially the following are cases of structural modifications:

- Opening the machine and the permanent removal of components from Wacker Neuson.
- Installing new components which are not from Wacker Neuson and not equivalent to the original parts in design and quality.
- Installation of accessories which are not from Wacker Neuson.

It is no problem to install spare parts from Wacker Neuson.

It is no problem to install accessories that are available in the Wacker Neuson product range of your machine. Please refer to the installation regulations in this operator's manual.

Requirements for operation

The ability to operate the machine safely requires:

- Proper transport, storage and setup.
- Careful operation.
- Careful service and maintenance.

Operation

Operate the machine only as intended and only when in proper working condition.

Operate the machine in a safety-conscious manner with all safety devices attached and enabled. Do not modify or disable any safety devices.

Before starting operation, check that all control and safety devices are functioning properly.

Never operate the machine in a potentially explosive environment.

Supervision

Never leave the machine running unattended!

Maintenance

Regular maintenance work is required in order for the machine to operate properly and reliably over time. Failure to perform adequate maintenance reduces the safety of the machine.

- Strictly observe the prescribed maintenance intervals.
- Do not use the machine if it requires maintenance or repairs.

Malfunctions

If you detect a malfunction, you must shut down and secure the machine immediately.

Eliminate the malfunctions that impair safety immediately!

Have damaged or defective components replaced immediately!

For further information, refer to chapter *Troubleshooting*.

Spare parts, accessories

Use only spare parts from Wacker Neuson or such that are equivalent to the original parts in design and quality.

Only use accessories from Wacker Neuson.

Non-compliance will exempt the manufacturer from all liability.

Exclusion of liability

Wacker Neuson will refuse to accept liability for injuries to persons or for damage to materials in the following cases:

- Structural modifications.
- Improper use.
- Failure to comply with this operator's manual.
- Improper handling.
- Using of spare parts which are not from Wacker Neuson and not equivalent to the original parts in design and quality.
- Using of accessories which are not from Wacker Neuson.

Operator's manual

Always keep the operator's manual near the machine or near the worksite for quick reference.

If you have misplaced the operator's manual or require an additional copy, contact your Wacker Neuson representative or download the operator's manual from the Internet (www.wackerneuson.com).

Always hand over this operator's manual to other operators or to the future owner of the machine.

Country-specific regulations

Observe the country-specific regulations, standards and guidelines in reference to accident prevention and environmental safety, for example those pertaining to hazardous materials and wearing protective gear.

Complement the operator's manual with additional instructions taking into account the operational, regulatory, national or generally applicable safety guidelines.

Operator's controls

Always keep the operator's controls of the machine dry, clean and free of oil or grease.

Operating elements such as ON/OFF switch, gas handles etc. may not be locked, manipulated or changed without authorization.

Cleaning

Always keep the machine clean and be sure to clean it each time you have finished using it.

Do not use gasoline or solvents. Danger of explosion!

Do not use high pressure washers. Permeating water can damage the machine. When electrical equipment is present, this can pose a serious injury risk from electric shocks.

Checking for signs of damage

Inspect the machine when it is switched off for any signs of damage at least once per work shift.

Do not operate the machine if there is visible damage or defects.

Have any damage or defects eliminated immediately.

2.2 Qualification of the operating personnel

Operator qualifications

Only trained personnel are permitted to start and operate the machine. The following rules also apply:

- You are at least 18 years of age.
- You are physically and mentally fit.
- You have received instruction on how to independently operate the machine.
- You have received instruction in the proper use of the machine.
- You are familiar with required safety devices.
- You are authorized to start machines and systems in accordance with the standards governing safety.
- Your company or the operator has assigned you to work independently with this machine.

Incorrect operation

Incorrect operation or misuse by untrained personnel can endanger the health and safety of the operator or third persons and also cause machine and material damage.

Operating company responsibilities

The operating company must make the operator's manual available to the operator and ensure that the operator has read and understood it.

Work recommendations

Please observe the recommendations below:

- Work only if you are in a good physical condition.
- Work attentively, particularly as you finish.
- Do not operate the machine when you are tired.
- Carry out all work calmly, circumspectly and carefully.
- Never operate the machine under the influence of alcohol, drugs or medication. This can impair your vision, reactions and your judgment.
- Work in a manner that does not endanger others.
- Ensure that no persons or animals are within the danger zone.

2.3 Protective gear

Work clothing

Clothing should be appropriate, i.e. should be close-fitting but not restrict your movement.

When on construction sites, do not wear long hair loosely, loose clothing or jewelry including rings. These objects can easily get caught or be drawn in by moving machine parts.

Only wear clothing made of material that is not easily flammable.

Personal protective gear

Wear personal protective gear to avoid injuries or health hazards:

- Non-skid, hard-toed shoes.
- Work gloves made of durable material.
- Overalls made of durable material.
- Hard hat.
- Ear protection.

Ear protection

This machine generates noise that exceeds the country-specific permissible noise levels (individual rating level). It may therefore be necessary to wear ear protection. You can find the exact value in the chapter *Technical Data*.

When wearing ear protection while working, you must pay attention and exercise caution because your hearing is limited, e.g. in case someone screams or a signal tone sounds.

Wacker Neuson recommends that you always wear ear protection.

2.4 Transport

Switching off the machine

Before you transport the machine, it must be switched off, and the engine must be given sufficient time to cool down.

Center pole in transport position

Before commencing transport, move the center pole to the transport position. Let the center pole latch into its lock.

Observing hazardous materials regulations

Observe the national safety guidelines and the hazardous materials regulations that apply to the respective means of transportation.

Lifting

When lifting the machine, observe the following instructions:

- Designate a skilled person to guide you for the lifting procedure.
- You must be able to see or hear this person.
- Use only suitable and certified hoisting gear, lifting tackle and load-bearing equipment with sufficient lifting capacities.
- Only use the attachment points described in the operator's manual.
- Attach the machine securely to the hoisting gear.
- Ensure that no one is nearby or under the machine.
- Do not climb onto the machine.

Loading the machine

Loading ramps must be able to bear the load and be in a stable position.

Make sure that no one can be endangered if the machine slips away or tips over or if machine parts suddenly move upward or downward.

Put the operating controls and moving parts in their transport position.

Secure the machine with load-securing straps so that it cannot tip over, fall down or slide away. Only use the attachment points described in the operator's manual.

Transport vehicle

Use only suitable transport vehicles with sufficient load-carrying capacity and suitable tie-down lugs.

Transporting the machine

Secure the machine on the transport device against tilting, falling or slipping.

Only use the lashing points listed in the operating instructions.

Also observe the country-specific regulations, standards and guidelines.

Restarting

Machines, machine parts, accessories or tools that were detached for transport purposes must be re-mounted and fastened before restarting.

Only operate in accordance with the operating instructions.

2.5 Operating safety

Explosible environment

Never operate the machine in a potentially explosive environment.

Work environment

Familiarize yourself with your work environment before you start work. This includes e.g. the following items:

- Obstacles in the work and traffic area.
- Load-bearing capacity of the ground.
- The measures needed to cordon off the construction site from public traffic in particular.
- The measures needed to secure walls and ceilings.
- Options available in the event of an accident.

Safety in the work area

When working with the machine especially pay attention to the following points:

- Electric lines or pipes in work area.
- Gas lines or water lines in the work area.

Starting the machine

Observe the safety information and warning notices located on the machine and in the operator's manual.

Never attempt to start a machine that requires maintenance or repairs.

Start the machine as directed in the operator's manual.

Vertical stability

Always ensure that the machine is vertically stable and cannot tip over, roll or slide away.

Proper operator position

Do not leave the proper operator position while operating the machine.

The proper operator position is behind the center pole of the machine.

Leaving the danger area

Injury may be caused by moving machines or flying materials.

Ensure that other persons observe a minimum safety distance of 2 m from the machine.

Caution with movable parts

Keep your hands, feet and loose clothing away from moving or rotating machine parts. Parts of your body being pulled in or crushed can cause serious injuries.

Switching off the machine

Switch off the engine in the following situations:

- Before breaks.
- If you are not using the machine.

Store the machine in such a way that it cannot tilt, fall or slip.

Storage location

After operation, allow the machine to cool and then store it in a sealed-off, clean and dry location protected against frost and inaccessible to children.

Not using starter sprays

Highly flammable starter sprays pose a fire hazard.

Do not use any starter sprays.

Starter sprays are highly flammable and can cause backfiring and engine damage.

Vibrations

When manually operated machines are intensively used, long-term damage caused by vibrations cannot be precluded.

Observe the relevant legal instructions and guidelines to minimize vibration stress.

Details on vibration stress associated with the machine can be found in the chapter *Technical Data*.

2.6 Safety during the operation of vibratory plates

Integrated driving mechanism

Machines with integrated driving mechanism must not be set down or stored on the transport device. The driving mechanism is only intended for transport.

Belt guard

Never operate the machine without a belt guard!

Exposed belts and belt pulleys are dangerous and can cause serious injuries if they pull in any part of your body or if parts are ejected.

Danger of falling over

Operate the machine so that it cannot tip over or fall down from bordered areas, edges and steps.

Load-carrying capacity of the ground

Keep in mind that the load-carrying capacity of the earth to be compressed or bed can be greatly reduced by the effects of vibration, for example near slopes.

Avoiding crushing

When operating the machine, pay particular attention to avoid being squeezed between the machine and an obstacle. Always look in the direction of travel!

Compacting on slopes

The following points must be observed if you plan to compact inclined surfaces (slopes, escarpments):

- Always stand above the machine on a slope.
- Start at the bottom of a slope (slopes that can be easily managed in an upward direction can be safely traveled in a downward direction also).
- Never stand in a position where the machine could possibly fall. A slipping or tipping machine can cause serious injuries.

Not exceeding the maximum tilt position

- Do not exceed the maximum tilt position (see chapter *Technical Data*).
- Only operate the machine at maximum tilt for short periods of time.

If you exceed the maximum tilt, the engine lubrication system will fail and thus inevitably damage important engine parts.

Check the effects of vibration

Compacting work in the vicinity of buildings can lead to structural damage. For this reason you must always check the possible effects of vibrations on surrounding buildings in the run-up to work.

You must take the following points into special consideration when evaluating the effects of vibration:

- Vibration behavior, sensitivity and resonance frequency of surrounding buildings.
- Distance of the buildings from the vibrationsite (= worksite).
- Condition of the soil.

You may need to carry out measurements to determine the vibration speed.

You must also comply with the relevant guidelines and regulations, particularly DIN 4150-3.

The foundation must also have sufficient load-bearing capacity to withstand the compaction energy. In case of doubt involve a soil mechanics specialist in the evaluation.

Wacker Neuson is not liable for any structural damage.

2.7 Safety during the operation of combustion engines

Checking for signs of damage

Check the engine while switched off for leaks and cracks in the fuel line, tank and fuel cap at least once per work shift.

Do not operate the machine if there is visible damage or defects.

Have any damage or defects eliminated immediately.

Dangers during operation

Combustion engines can be dangerous, particularly during operation and when refueling.

Read and follow all safety instructions. Otherwise there is a risk of personal injury and/or damage to property!

Do not start the engine near spilt fuel or if you smell fuel – this may cause an explosion!

- Remove the machine from such areas.
- Remove the spilt fuel immediately!

Not changing the engine speed

Do not change the preset engine speed, as this may cause engine damage.

Preventing fires

Open flames and smoking are strictly prohibited in the immediate vicinity of the machine.

Make sure that waste, such as paper, dry leaves or grass do not accumulate around the exhaust muffler. The waste materials may ignite.

Safety precautions when refueling

Please observe the following safety-relevant instructions when refueling:

- Do not refuel near open flames.
- Do not smoke.
- Turn off the engine before refueling and allow it to cool down.
- Refuel in a well-ventilated environment.
- Wear fuel-proof protective gloves and, if there is the possibility of spraying, protective goggles and clothing.
- Do not inhale fuel vapors.
- Avoid skin and eye contact with fuel.
- For refueling, use clean tools such as a hopper.
- Do not spill fuel, especially onto hot parts.
- Remove any spilt fuel immediately.
- Use the correct fuel grade.
- Do not mix fuel with other liquids.
- Fill the tank only up to the maximum marking. If there is no Maximum marking, do not fill up the tank completely.
- Lock the fuel cap securely after refueling.

Operation in closed rooms

In closed or partially closed rooms such as tunnels, drifts or deep trenches, ensure sufficient ventilation and extraction by, for example, providing a powerful exhaust air fan.

Danger of poisoning! Do not inhale exhaust fumes. They contain toxic carbon monoxide that can lead to unconsciousness or death.

Caution with hot parts

Do not touch any hot parts such as the engine block or exhaust muffler during operation or directly afterwards. These parts can become very hot and cause severe burns.

Shutting off the fuel tap

When the machine stops, shut off the fuel tap.

Cleaning the engine

Clean the engine when it is cool to remove any dirt.

Do not use gasoline or solvents. Danger of explosion!

Notes on the EPA engine

Caution

This machine is equipped with an EPA-certified engine.

Modifying the motor speed influences the EPA certification and emission. The motor may only be set by a skilled technician.

For more detailed information, contact your nearest motor or Wacker Neuson representative.

Health hazard due to exhaust fumes

Warning

The engine's exhaust fumes contain chemicals which are known to the State of California to cause cancer, congenital defects or other reproductive anomalies.

2.8 Safety during the operation of hydraulic machines

Hydraulic oil

Hydraulic oil is harmful to health.

Wear safety glasses and safety gloves when handling hydraulic oil.

Avoid direct skin contact with hydraulic oil. Remove hydraulic oil from the skin immediately with soap and water.

Make sure that no hydraulic oil comes gets in the eyes or on the body. See a physician immediately if hydraulic oil gets into the eyes or is swallowed.

Do not eat and drink while handling hydraulic oil.

Make sure to have extreme cleanliness. Contamination of the hydraulic oil with dirt or water can cause premature wear or failure of the machine.

Dispose of left over and spilled hydraulic oil according to the applicable regulations for environmental protection.

2.9 Maintenance

Maintenance work

Service and maintenance work must only be carried out to the extent described in these operating instructions. All other procedures must be performed by your Wacker Neuson representative.

For further information, refer to chapter *Maintenance*.

Switching off the engine

Before carrying out care or maintenance work, switch off the engine and allow it to cool down.

For gasoline powered engines, you must pull off the spark plug cap.

Assembling safety devices

If it was necessary to dismantle safety devices, they must be reassembled and checked immediately after completing maintenance work.

Always tighten loosened screw connections, complying with prescribed starting torque.

Handling operating fluids safely

Observe the following points when handling operating fluids, e.g. fuels, oils, greases, coolants etc.:

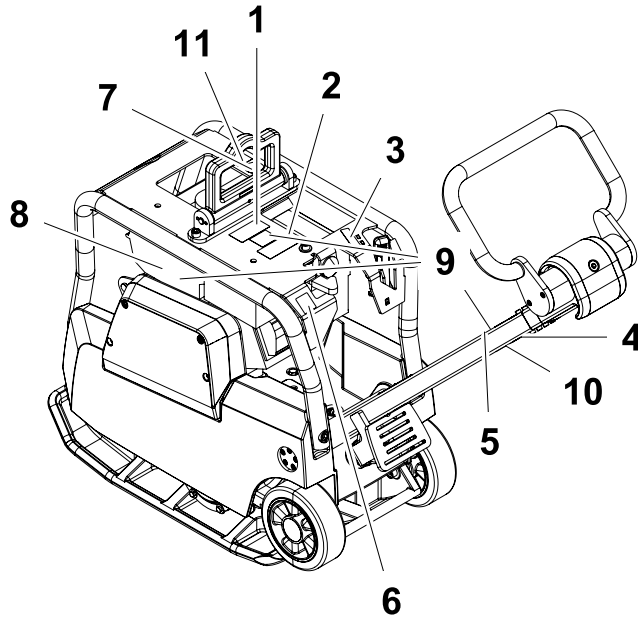
- Always wear personal safety clothing.
- Avoid skin and eye contact with operating fluids.
- Do not inhale or swallow operating fluids.
- In particular, avoid contact with hot operating fluids. Burn and scalding hazard.
- Dispose of replaced or spilled operating fluids according to the applicable regulations for environmental protection.
- If operating fluids escape from the machine, cease operation of the machine and have it repaired immediately by your Wacker Neuson representative.

2.10 Safety and information labels









Your machine has adhesive labels containing the most important instructions and safety information.

- Make sure that all the labels are kept legible.
- Replace any missing or illegible labels.

The item numbers for the labels are in the parts book.



Item	Label	Description
1		<p>If the machine falls, it can cause severe crushing injuries.</p> <ul style="list-style-type: none"> ▶ Only lift the machine with certified hoist and lifting tackle (safety load hook). ▶ Do not lift the machine with the excavator shovel by the central suspension.
2		<p>Wear personal protective gear to avoid injuries or health hazards:</p> <ul style="list-style-type: none"> ■ Ear protection. <p>Read the operator's manual before start-up.</p>
3		Start-Stop.

Item	Label	Description
4		Improper handling can cause serious damage to the engine. <ul style="list-style-type: none"> ▶ When using the integrated wheels, always turn off the engine. If the engine is running, engine lubrication cannot be ensured in the transport position. There is also a danger that oil may leak out of the engine crankcase breather.
5		If the machine falls, it can cause severe crushing injuries. <ul style="list-style-type: none"> ▶ Do not lift the machine by the guide handle or the center pole.
6		Guaranteed sound power level.
7		Danger of fire. Smoking and open flames are prohibited.
8		Warning of hot surface.
9	US machines 	Warning.
10	US machines 	Caution.
11	US machines 	Danger.

3 Technical data

Machine

Designation	Unit	BPU 2540A	BPU 3050A	BPU 3750A _{ts}
Item no.		0008758 0610360	0008763 0610361	0610408 0610423
Length x width x height (guide handle in transport position)	mm (ft)	733,5 x 400 x 1163 (2.4 x 1.3 x 3.8)	733,5 x 500 x 1175 (2.4 x 1.6 x 3.8)	
Operating weight	kg (lb)	145 (320)	166 (366)	240 (529)
Advance and reverse travel	m/min (ft/min)	21 (69)		25 (82)
Area capacity	m ² /h (ft ² /h)	504 (5425)	630 (6781)	750 (8073)
Maximum permissible tilt	°	20		
Sound pressure level L _{pA} at operator's station *	dB(A)	89	93	95
Measured sound power level L _{WA}	dB(A)	102	105	107
Guaranteed sound power level L _{WA}	dB(A)	108		
Total vibration value of the acceleration a _{hv} **	m/s ² (ft/ s ²)	1,9 (6.2)	2,8 (9.2)	1,5 (4.9)
Uncertainty of measure- ment of the vibration total value of the acceleration a _{hv}	m/s ² (ft/ s ²)	1,0 (3.2)		

* According to DIN EN ISO 11201

** Determined according to DIN EN ISO 5349.

Drive motor

Designation	Unit	BPU 2540A	BPU 3050A	BPU 3750ATS
Manufacturer		Honda		
Type		GX160	GX270	
Combustion method		4-cycle		
Engine type		Gasoline engine		
Cooling		Air cooling		
Engine displacement	cm ³ (in ³)	163 (9.9)	270 (16.5)	
Cylinder		1		
Rated output*	kW	3,1	5,2	
Engine speed	rpm	2,800		
Fuel type		Regular gasoline, lead-free (>86 oktane)		
Fuel consumption	l/h (qt/h)	0,8 (0,84)	1,1 (1,16)	
Tank capacity	l (qt)	3,1 (3,27)	5,3 (5,60)	
Oil specification		Fuchs Titan Unic 10W40 MC (SAE 10W40)		
Oil quantity max.	l (qt)	0,6 (0,63)	1,1 (1,16)	
Oil quantity min.	l (qt)	0,5 (0,53)	0,9 (0,95)	
Spark plug		BPR6ES (NGK), W20EPR-U (ND)		
Spark plug air gap	mm (in)	0,7-0,8 (0.027-0.031)		

* Equivalent to the installed power output in accordance with the directive 2000/14/EC.

3 Technical data

Exciter

Designation	Unit	BPU 2540A	BPU 3050A	BPU 3750ATS
Vibrations	rpm (Hz)	5,400 (90)		
Centrifugal force	kN	25	30	37
Oil specification		Fuchs Titan Unic 10W40 MC (SAE 10W40)		
Oil quantity	l (qt)	0.6 (0.63)		

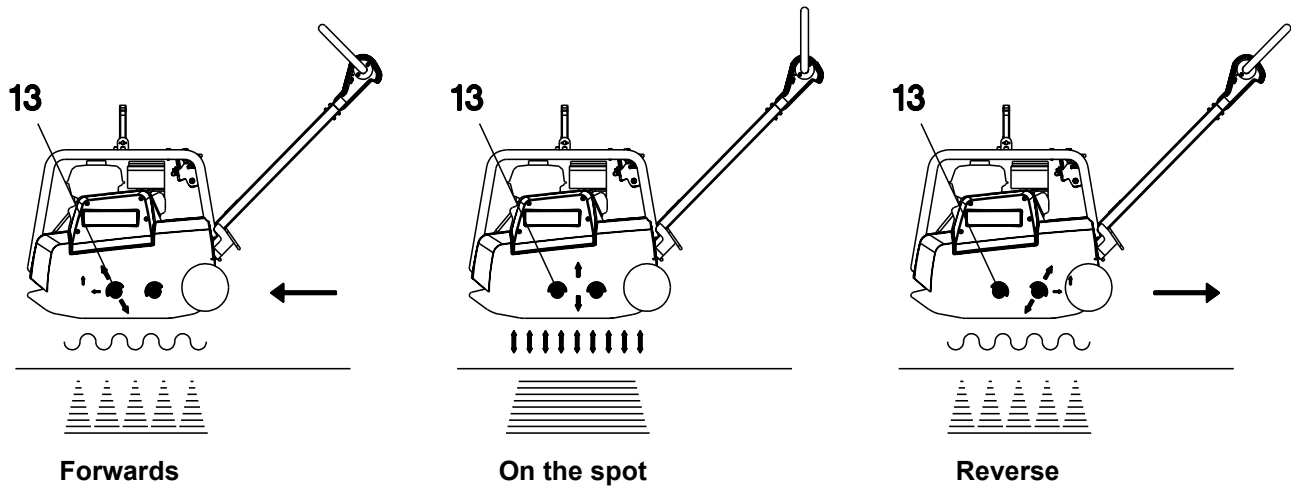
Hydraulic

Designation	Unit	BPU 2540A	BPU 3050A	BPU 3750ATS
Oil specification		Fuchs Renolin MR 520		
Oil quantity	l (qt)	0,4 (0.42)		

Description of function

The vibration required for compaction is produced by the exciter (5) which is firmly joined to the lower mass (4). This exciter (5) is designed as a central vibrator with aligned vibrations. Such a principle permits the direction of vibration to be changed by turning the eccentric weights (13). In this way an infinitely variable transition between vibration in forward motion, at standstill and in reverse motion is possible.

This process is hydraulically controlled with the operating control handle (7) on the centre pole head (8).



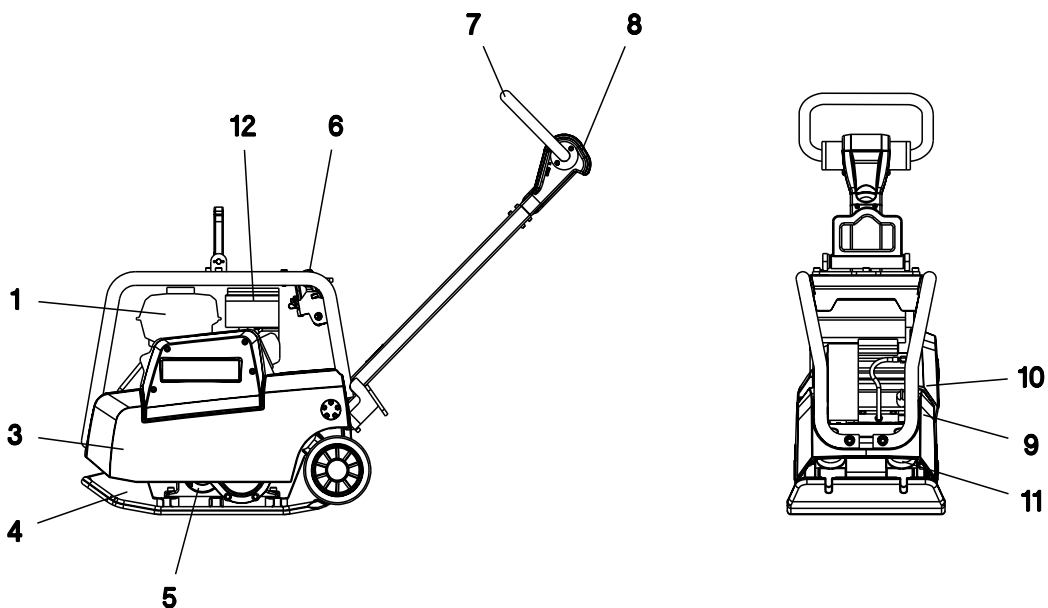
The drive engine (1) is anchored to the upper mass (3) and drives the exciter (5). The torque is transmitted by means of a friction connection through the centrifugal clutch (9) and the exciter V-belt (10).

The centrifugal clutch (9) interrupts the power transmission to the exciter (5) at low engine turning speed, thus allowing for a perfect idling speed of the drive engine (1). The turning speed of the engine (1) can be infinitely adjusted by way of the throttle lever (6).

The upper (3) and lower (4) masses are connected to each other by 4 vibration-damping shock mounts (11). This damping system prevents the very high frequencies from being transmitted to the upper mass (3). As a result the functionality of the drive engine (1) is retained in spite of the high compaction performance.

The drive engine (1) works according to the 4-stroke principle, is started by way of a recoil starter, sucks in combustion air over a dry air filter (12) and is air-cooled.

To facilitate the starting procedure the drive engine (1) has an decompression mechanism.



Transport to work site

Conditions:

- To transport the vibration plate, use only suitable lifting equipment with a minimum load-bearing capacity of 250 kg.
- Only attach suitable tackle at the central lifting point (15) provided.
- Always tie down the vibratory plate by the protective frame (14) and latch the center pole in place during transport of the vibratory plate on the loading area of a transport vehicle.

ATTENTION!

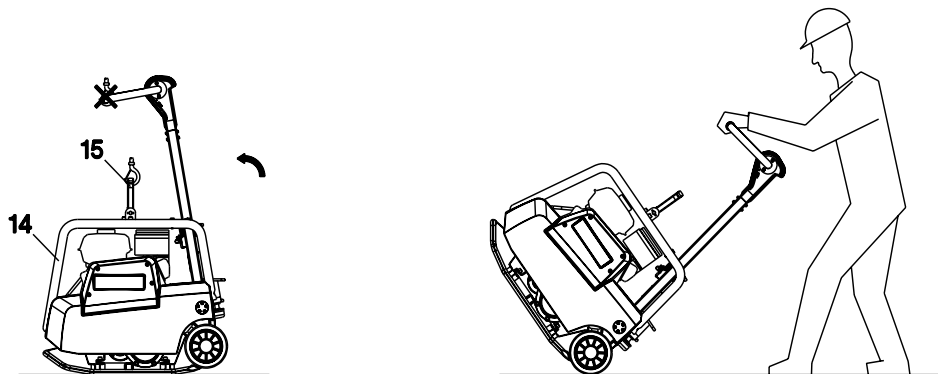
The engine must be stopped when using the integrated transport device. Lubrication of the engine is not guaranteed if the engine is running when the plate is in transport position.

This could lead to serious engine damages.

Furthermore the danger exists that oil will spill out of the crankcase breather.

Note:

Also observe the regulations in the chapter "Safety instructions".



Recommendations on compaction

Ground conditions

The max. compaction depth depends on several factors relating to the ground condition, such as moisture, grain distribution etc.

It is therefore not possible to specify exact values.

Recommendation: In each case determine the max. compaction depth with compaction tests and soil samples.

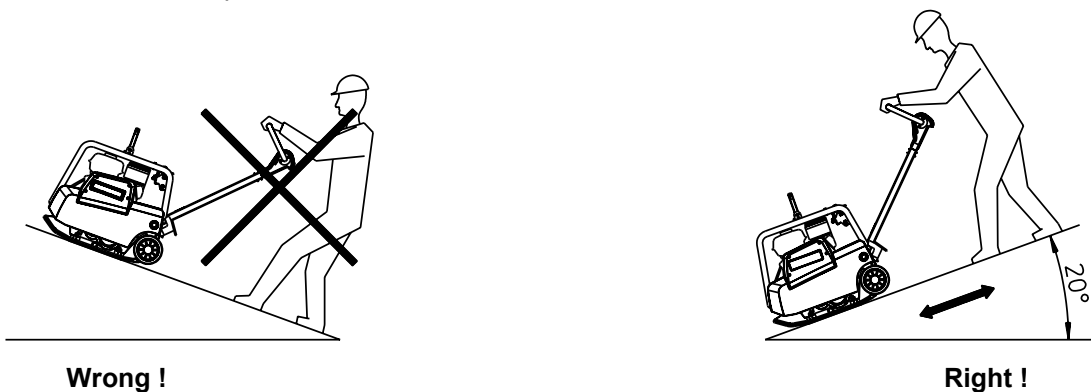
Compaction on slopes

The following points are to be observed when compacting on sloped surfaces (slopes, embankments):

- * Only approach gradients from the bottom (a gradient which can be easily overcome upwards, can also be compacted downwards without any risk).
- * The operator must never stand in the direction of descent (see chapter "Safety instructions").
- * The max. gradient of 20° must not be exceeded.

ATTENTION!

If this gradient were exceeded, this would result in a failure of the engine lubrication system (splash lubrication) and thus inevitably lead to a breakdown of important engine components.



Engine check before starting

1. Oil level check

Insert dipstick in oil filler neck, but without screwing in. If oil level is low, fill to the top of the oil filler neck with high grade Fuchs Titan Unic 10W40 MC oil.

ATTENTION! Place machine in horizontal position before checking engine oil level.

2. Dual-air cleander >Dual element type<

Check the air cleaner elements to be sure they are clean and in good condition. Clean or replace the elements if necessary.

3. Fuel

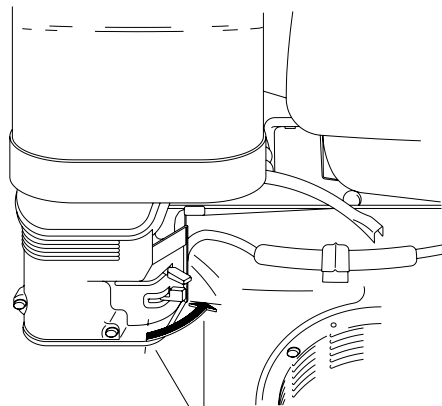
Use any regular grade automotive gasoline (unleaded gasoline is preferred) with a pump octane rating of 86 or higher.

Never use an oil/gasoline mixture or dirty gasoline: Avoid getting dirt, dust or water in the fuel tank.

Caution: Gasoline substitutes are not recommended, they may be harmful to the fuel system components.

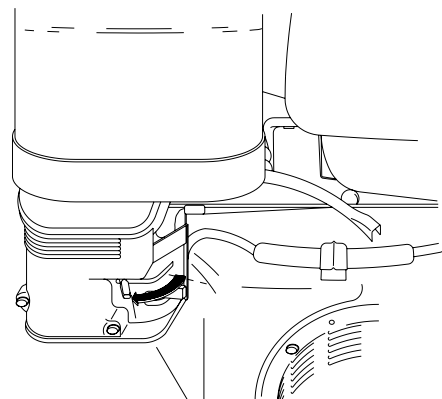
Starting the engine

1. Move the fuel shut-off valve (lever in arrow direction) to the „ON“ position.

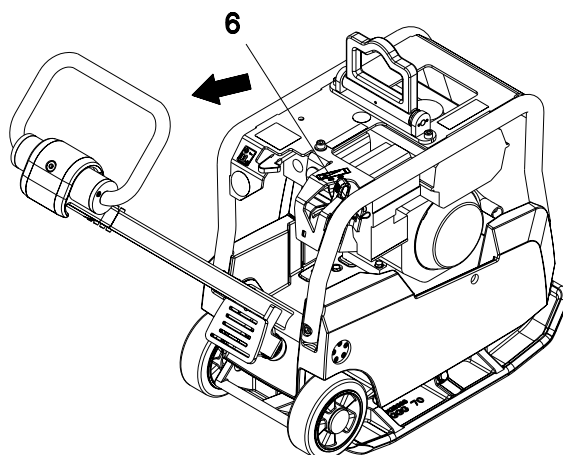


2. Move the choke lever to the CLOSE position.

Note: If the engine is warm or the air temperature is high, move the control lever away from the CHOKE position as soon as the engine starts.

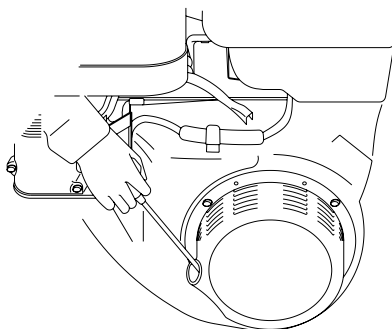


3. Pull the throttle lever (6) back slightly.



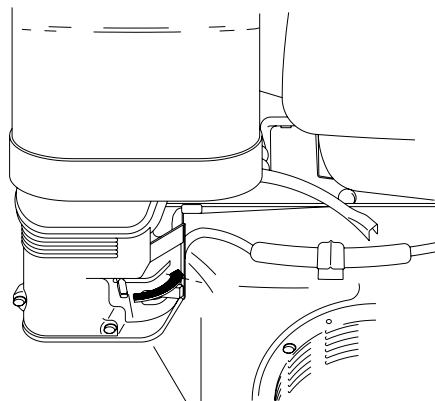
4. Turn the engine switch to the „I“ position.
5. Pull the starter grip lightly until resistance is felt, then pull briskly.

Caution: Do not allow the starter grip to snap back against the engine. Return it gently to prevent damage to the starter.



Operation the engine

As the engine warms up, gradually move the choke lever to the OPEN position. Position the throttle lever for the desired engine speed.



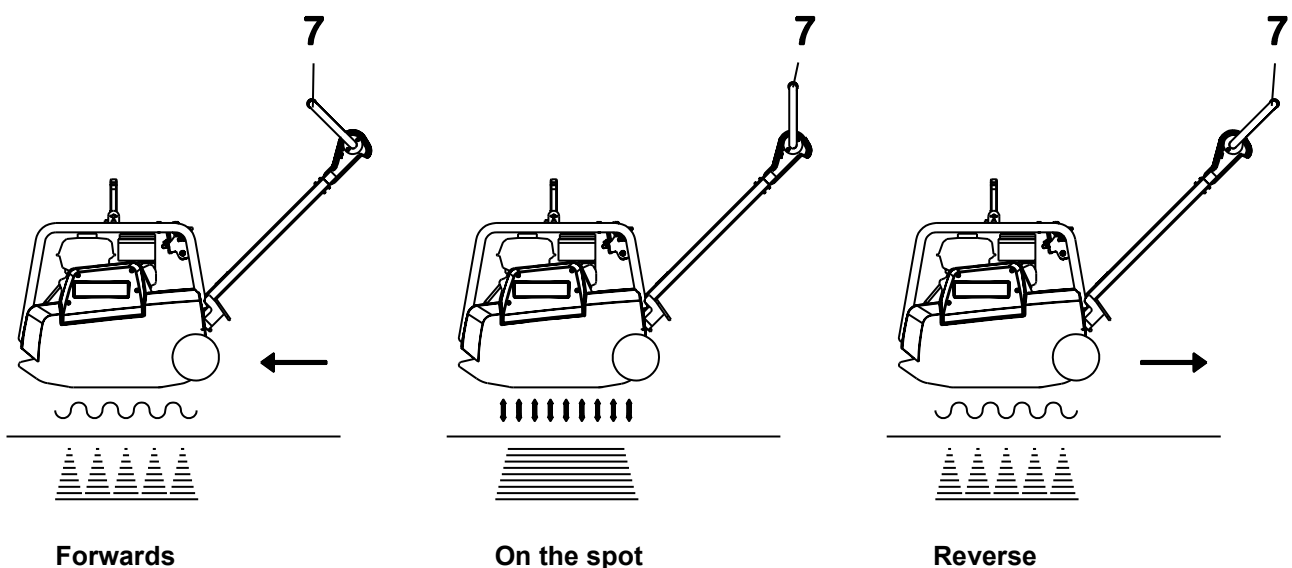
Oil alert system

The oil alert system is designed to prevent engine damage caused by an insufficient amount of oil in the crankcase. Before the oil level in the crankcase drops below a safe limit, the oil alert system will automatically shut down the engine (the engine switch will remain in the „I“ position).

Note: If engine does not start check oil level

Forward and reverse motion

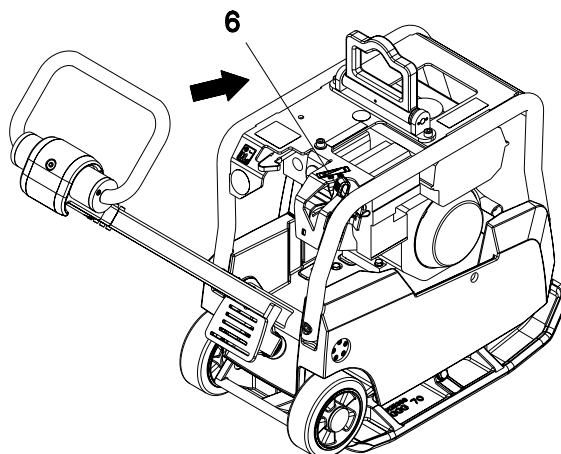
The engine speed can be infinitely varied with the throttle control lever (6). The direction of travel is determined with the operating control handle (7). Depending on the position of the control handle (7), the vibration plate compacts in forward direction, on the spot or in reverse direction.



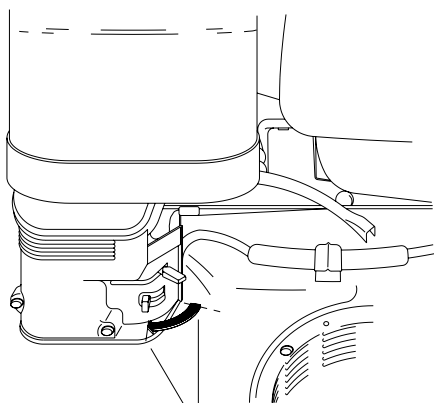
Stopping the engine

To stop the engine in an emergency, turn the engine switch to the „0“ position. Under normal conditions, use the following procedure:

1. Push the throttle lever forward all the way to the stop.



2. Turn the ignition switch to the „0“ position.
3. Turn off the fuel shut-off valve (lever in arrow direction).



Maintenance schedule

Parts	Maintenance jobs	Maintenance interval
Air filter Fuel tank Engine oil Exciter Bowden cable	Check for external damage and tight fit. Check filter cartridge, clean or replace if necessary. Check tank lid for tight fit, replace if necessary. Check oil level, top up if necessary. Check for tightness. Check to see smooth running.	daily
Engine oil	First oil change.	after 20 hours
Ignition system Exciter Hydraulic control V-belt Protective frame	Clean spark plug, check spark plug gap 0,7 mm. Check attachment screws for tight fit. Check oil level, top up if necessary. Check V-belt tension-retension, if need be. Check fastening screws of protective frame and central suspension for tight fit.	monthly
Engine oil Exhaust muffler	Further oil changes. Remove combustion residue from spark arrester.	after 100 hours
Exciter	Check oil level-fill up, if need be.	after 150 hours
Exciter	Oil change.	after 250 hours
Valve clearance	Check, set - 0,15 mm intake valve, 0,20 mm exhaust valve.	after 300 hours

Engine oil

Check oil level:

The engine must be horizontally place when filling in oil or checking the oil level.

Check oil level with dip stick (16).

If oil level is to low, top up with brand quality oil

Fuchs Titan Unic 10W40 MC through oil feed opening (16).

Oil change:

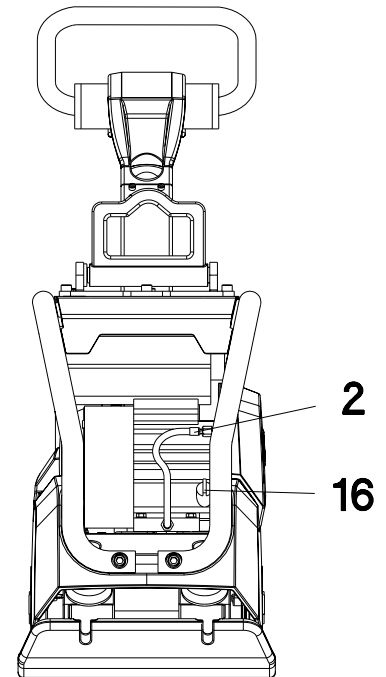
Drain the oil while the engine is still warm to assure rapid and complete draining.

1. Remove the oil filler cap (16).
2. Release the waist oil drain hose (2) and collect the draining oil in an appropriate container.
3. Attach the waist oil drain hose (2) back again.
4. Pour the recommended oil through the oil filler tube (16) and then check the oil level.

ATTENTION! Place machine in horizontal position before checking engine oil level.

5. Install the oil filter cap.

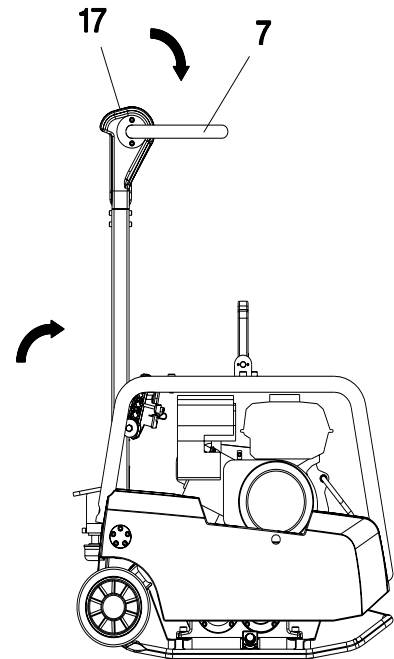
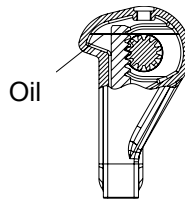
Take notice: Please pay attention to the corresponding environmental laws when disposing of used engine oil. We recommend you carry the oil in a container to a central collecting point for used oils. Do not pour used engine oil into the garbage nor into the sewer system, waste pipes or even on the ground.



Hydraulic control

Check oil level:

1. Move centre pole into vertical position.
2. Push operating control handle (7) to forward travel position.
3. Open filler bore (17).
4. The oil level must reach the upper edge of the gear; add Fuchs Renolin MR 520 hydraulic fluid if required.
5. Close filler bore (17).



Hydraulic control system is self-bleeding.

Exciter

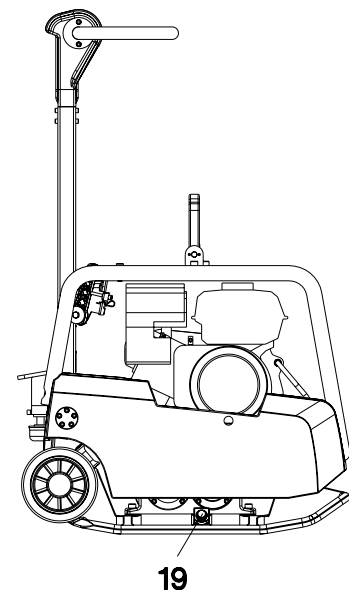
Check oil level:

1. Position vibration plate horizontally.
2. Open filler bore (19).
3. The oil level must reach the start of the thread (19) of the filler bore.
4. If necessary, pour in brand oil Fuchs Titan Unic 10W40 MC through filler bore (use funnel).
5. Close filler bore (19).

Changing the oil:

1. Open filler bore (19).
2. Tilt vibration plate and keep it tilted until the oil has run out.
3. Place vibration plate in horizontal position.
4. Pour in brand oil Fuchs Titan Unic 10W40 MC through the filler bore (19).
5. Close filler bore (19).

ATTENTION! Do not pour in too much oil!



Exciter V-belt

Remove belt guard. Remove the screws from the engine's V-belt pulley and then pull off the V-belt pulley half. Take out the necessary number of discs (removal of one disc is usually enough). Place the discs just removed on the outside of the V-belt pulley half. Turn in the screws by hand and then alternately tighten while constantly turning the engine's V-belt pulley. Run the machine a few moments and then retighten the screws if necessary.

Fuel strainer cup cleaning

Turn the fuel valve to Off. Remove the sediment cup and O-ring, and wash them in nonflammable or high flash point solvent. Dry them thoroughly, and reinstall securely. Turn the fuel valve on, and check for leaks.

Spark plug

Caution: Never use a spark plug of incorrect heat range.

To ensure proper engine operation, the spark plug must be properly gapped and free of deposits.

1. Remove the spark plug cap, and use a spark plug wrench to remove the plug.
Warning: If the engine has been running, the muffler will be very hot. Be careful not to touch the muffler.
2. Visually inspect the spark plug. Discard it if the insulator is cracked or chipped. Clean the spark plug with a wire brush if it is to be reused.
3. Measure the plug gap with a feeler gauge. The gap should be 0,7-0,8 mm (0.039-0.043 in). Correct as necessary by bending the side electrode.
4. Check that the spark plug washer is in good condition, and thread the spark plug in by hand to prevent cross-threading.
5. After the spark plug is seated, tighten with a spark plug wrench to compress the washer.

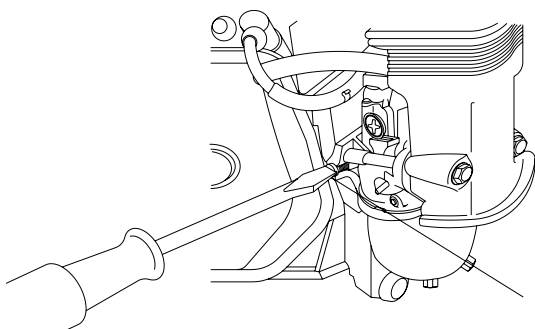
Note: If installing a new spark plug, tighten 1/2 turn after the spark plug seats to compress the washer. If reinstalling a used spark plug, tighten 1/8-1/4 turn after the spark plug seats to compress the washer.

Caution: The spark plug must be securely tightened. An improperly tightened spark plug can become very hot and may damage the engine.

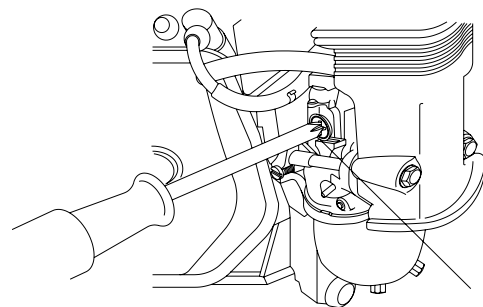
Carburettor adjustment

- * Start the engine and allow it to warm up to normal operating temperature.
- * With the engine idling, turn the pilot screw in or out to the setting that produces the highest idle rpm. The correct setting will usually be approximately 2 1/4 turns from the fully closed position.

Caution: Do not tighten the pilot screw against its seat as this will damage the pilot screw or seat. After the pilot screw is correctly adjusted, turn the throttle stop screw to obtain the standard idle speed. Standard idle speed: 1 400 ± 150 rpm.



1. Pilot screw



2. Throttle stop screw

Air filter service

A dirty air filter will restrict air flow to the carburettor. To prevent carburettor malfunction, service the air filter regularly. Service more frequently when operating the engine in extremely dusty areas.

Warning: Never use gasoline or low flash point solvents for cleaning the air cleaner element. A fire or explosion could result.

Caution: Never run the engine without the air cleaner. Rapid engine wear will result.

1. Remove the wing nut and the air filter cover. Remove the elements and separate them. Carefully check both elements for holes or tears and replace if damaged.
2. Foam element: Wash the element in a solution of household detergent and warm water, then rinse thoroughly, or wash in nonflammable or high flash point solvent. Allow the element to dry thoroughly. Soak the element in clean engine oil, and squeeze out the excess oil. The engine will smoke during initial start-up if too much oil is left in the foam.
3. Paper element: Tap the element lightly several times on a hard surface to remove excess dirt, or blow compressed air through the filter from the inside out. Never try to brush the dirt off; brushing will force dirt into the fibers.
Replace the paper element if it is excessively dirt.

Reverse speed too low

- Cause: - Too little hydraulic oil in the centre pole head.
 - Air in hydraulic control.
- Remedy: - Top up hydraulic oil.
 - Bleed system.

Forward speed too low

- Cause: - Too much oil in centre pole head.
- Remedy: - Correct oil level in accordance with mark.

No advance

- Cause: - Mechanical fault.
- Remedy: - Contact Wacker service dept.

Loss of hydraulic oil

- Cause: - Leaks, hydraulic hose defective.
- Remedy: - Change defective parts.
Note: Bleed system after every dismantling operation.

Engine does not start

- Cause: - Fuel tank empty.
 - Fuel shut-off valve closed.
 - Air filter dirty.
 - Stop button defective.
 - Recoil starter defective.
 - Oil alert system has stopped engine.
- Remedy: - Fuel up.
 - Open.
 - Clean.
 - Repair.
 - Repair.
 - Fill up with engine oil.

4 Emission control systems information and warranty

The Emission Control Warranty and associated information is valid only for the U.S.A., its territories, and Canada.

Emission control systems warranty statement

See the *engine owner's manual* for the applicable exhaust and evaporative emission warranty statement.

5 Glossary

5.1 Use of oxygenated fuels

Some conventional gasolines are blended with alcohol. These gasolines are collectively referred to as oxygenated fuels. If you use an oxygenated fuel, be sure it is unleaded and meets the minimum octane rating requirement.

Before using an oxygenated fuel, confirm the fuel's contents. Some states / Provinces require this information to be posted on the fuel pump.

The following are Wacker Neuson approved percentages of oxygenates:

Ethanol - (ethyl or grain alcohol) 10% by volume. You may use gasoline containing up to 10% ethanol by volume (commonly referred to as E10). Gasoline containing more than 10% ethanol (such as E15, E20, or E85) may not be used because it could damage the engine.

If you notice any undesirable operating symptoms, try another service station, or switch to another brand of gasoline.

Fuel system damage or performance problems resulting from the use of an oxygenated fuel containing more than the percentages of oxygenates mentioned above are not covered under warranty.



EC Declaration of Conformity

Manufacturer

Wacker Neuson Produktion GmbH & Co. KG, Preußenstraße 41, 80809 München

Product

Product	BPU 2540A	BPU 3050A	BPU 3750Ats
Product category	Vibrating plate		
Product function	Compacting soils		
Item number	0008758	0008763	0610408
Net installed power	3,1 kW	5,2 kW	
Measured sound power level	102 dB(A)	105 dB(A)	107 dB(A)
Guaranteed sound power level	108 dB(A)	108 dB(A)	108 dB(A)

Conformity assessment procedure

According to 2000/14/EC, Appendix VIII, 2005/88/EC.

Notified body

VDE Prüf- und Zertifizierungsinstitut GmbH, Merianstraße 28, 63069 Offenbach/Main

Guidelines and standards

We hereby declare that this product meets and complies with the relevant regulations and requirements of the following guidelines and standards:

2006/42/EG, 2000/14/EG, 2005/88/EG, 2004/108/EG, EN 55012:2007

Authorized person for technical documents

Axel Häret,
Wacker Neuson Produktion GmbH & Co. KG, Preußenstraße 41, 80809 München

München, 01.08.2011

Dr. Michael Fischer
Director of Technology and Innovation

Important: For spare parts information, please see your Wacker Neuson Dealer, or visit the Wacker Neuson website at <http://www.wackerneuson.com/>.

Wichtig! Informationen über Ersatzteile erhalten Sie von Ihrem Wacker Neuson Händler oder besuchen Sie die Wacker Neuson Website unter <http://www.wackerneuson.com/>.

Important : Pour des informations sur les pièces détachées, merci de consulter votre distributeur Wacker Neuson, ou de visiter le site Internet de Wacker Neuson sur <http://www.wackerneuson.com/>.

Importante : Para saber más sobre las piezas de repuesto, póngase en contacto con su distribuidor de Wacker Neuson o acceda al sitio web de Wacker Neuson en <http://www.wackerneuson.com/>.

Importante : Per informazioni sui pezzi di ricambio, contattare il rivenditore Wacker Neuson o visitare il sito di Wacker Neuson all'indirizzo www.wackerneuson.com.

Viktigt : För information om reservdelar, kontakta din Wacker Neuson-leverantör eller besök Wacker Neusons webbplats på <http://www.wackerneuson.com/>.

Tärkeää : Pyydä varaosatietoja Wacker Neusonin jälleenmyyjältä tai vieraile Wacker Neusonin web-sivustolla osoitteessa <http://www.wackerneuson.com/>

Viktig : For informasjon om reservedeler, vennligst kontakt din Wacker Neuson-forhandler, eller besøk Wacker Neusons nettside på <http://www.wackerneuson.com/>.

Viktigt : Hvis du ønsker oplysninger om reservedele, bedes du kontakte din Wacker Neuson forhandler eller besøg Wacker Neuson websiden på <http://www.wackerneuson.com/>.

Belangrijk! Neem contact op met uw Wacker Neuson dealer of bezoek de website van Wacker Neuson op <http://www.wackerneuson.com/> voor meer informatie over reserveonderdelen.

Importante : Para obter informações sobre as peças sobresselentes, consulte o seu fornecedor da Wacker Neuson ou acesse ao site Web da Wacker Neuson em http://www.wackerneuson.com

Ważne : W celu uzyskania informacji na temat części zamiennych skontaktuj się z przedstawicielem firmy Wacker Neuson lub skorzystaj z witryny internetowej <http://www.wackerneuson.com/>.

Důležitě upozornění! Pro informace o náhradních dílech, prosím, kontaktujte svého Wacker Neuson dealera, nebo navštivte webové stránky <http://www.wackerneuson.com/>.

FONTOS: A pótalkatrészekre vonatkozó információkért kérjük, forduljon Wacker Neuson kereskedőjéhez vagy látogasson el a Wacker Neuson weboldalára a következő címen: <http://www.wackerneuson.com/>.

Важно! Для ознакомления с информацией о запасных частях, пожалуйста, обратитесь к местному торговому представителю компании Wacker Neuson или посетите веб-сайт <http://www.wackerneuson.com/>.

Σημαντικό : Για πληροφορίες σχετικά με τα ανταλλακτικά, μιλήστε με τον αντιπρόσωπό σας της Wacker Neuson, ή επισκεφθείτε τον ιστότοπο <http://www.wackerneuson.com/>.

Važno : Za rezervne dijelove obratite se svom Wacker Neuson prodavaču ili posjetite mrežne stranice tvrtke Wacker Neuson: <http://www.wackerneuson.com/>.

Önemli : Yedek parça bilgileri için Wacker Neuson Bayinize bakın veya Wacker Neuson web sitesini ziyaret edin. <http://www.wackerneuson.com/>

重要 交換部品の情報については、ワッカーノイソンディーラーにお問い合わせ頂くか、ワッカーノイソンウェブサイト <http://www.wackerneuson.com/> をご覧ください。

重要 有关备件信息，请咨询您的威克诺森经销商或访问威克诺森网站：
<http://www.wackerneuson.com/>。

Important : Pentru informații referitoare la piesele de schimb, vă rugăm să vă adresați distribuitorului Wacker Neuson sau să vizitați site-ul web Wacker Neuson la adresa <http://www.wackerneuson.com/>.

Важно : За информация относно резервни части, моля, обърнете се към местния дилър на Wacker Neuson или посетете уебсайта на Wacker Neuson на адрес <http://www.wackerneuson.com/>.

Wacker Neuson Produktion GmbH & Co. KG, Preußenstraße 41, D-80809 München,

Tel.: +49-(0)89-3 54 02-0 Fax: +49 - (0)89-3 54 02-390

Wacker Neuson Production Americas LLC, N92W15000 Anthony Ave., Menomonee Falls, WI. 53051

Tel.: (262) 255-0500 Fax: (262) 255-0550 Tel.: (800) 770-0957

Wacker Neuson Limited - Room 1701-03 & 1717-20, 17/F, Tower 1, Grand Century Place, 193 Prince Edward Road West, Mongkok, Kowloon, Hongkong. Tel: (852) 3605 5360, Fax: (852) 2758 0032