

Operator's manual

Vibratory plate

DPU

4545, 5545, 6555



Model

DPU

Document

5100009744

Issue

02.2017

Version

05

Language

en

Copyright © 2017 Wacker Neuson Produktion GmbH & Co. KG

Printed in Germany

All rights are reserved, in particular the world-wide applicable copyright, right of duplication and right of distribution.

This document may only be used by the recipient for the intended purpose. The document may not be reproduced entirely or partially, or translated into any other language.

Reproduction or translation, even extracts thereof, only with written approval of Wacker Neuson Produktion GmbH & Co. KG.

Any breach of the statutory provisions, in particular the protection of copyright, will lead to civil and criminal prosecution.

Wacker Neuson Produktion GmbH & Co. KG is constantly working on the improvement of its products as part of the technical further development. Therefore, we reserve the right to make changes to the illustrations and descriptions in this documentation without incurring any obligation to make changes to machines already delivered.

Errors excepted.

The machine on the cover may have special equipment (options).



Manufacturer

Wacker Neuson Produktion GmbH & Co. KG

Wackerstraße 6

D-85084 Reichertshofen

www.wackerneuson.com

Tel.: +4984533403200

E-Mail: service-LE@wackerneuson.com

Original operator's manual

1	Preface	5
2	Introduction	6
	2.1 Using the manual.....	6
	2.2 Storage location of the manual.....	6
	2.3 Accident prevention regulations.....	6
	2.4 More information.....	6
	2.5 Target group	6
	2.6 Explanation of symbols.....	6
	2.7 Wacker Neuson Contact partner	7
	2.8 Disclaimer.....	7
	2.9 Product identification of the machine.....	7
3	Security	8
	3.1 Policy	8
	3.2 Areas of responsibility of the operator	8
	3.3 Operator responsibilities	9
	3.4 Personnel qualification.....	9
	3.5 General sources of danger	9
	3.6 General safety instructions	9
	3.7 Specific safety instructions – Vibratory plates	10
	3.8 General safety instructions - Combustion engines	11
	3.9 General safety instructions – fuel, lubricants and coolants.....	11
	3.10 General safety instructions – starter batteries	11
	3.11 Maintenance	12
	3.12 Personal Protective Equipment	12
	3.13 Safety devices	13
	3.14 Behavior in dangerous situations.....	13
4	Safety and information labels	14
5	Setup and function	16
	5.1 Standard package	16
	5.2 Application areas	16
	5.3 Short description.....	16
	5.4 Versions.....	17
6	Components and operator's controls	18
	6.1 Components	18
	6.2 Operator's controls	19
7	Transport	20
	7.1 Loading and transport.....	20
8	Operation and use	22
	8.1 Before commissioning	22
	8.2 Notes about operation	22
	8.3 Commissioning	23
	8.4 Operation.....	27
	8.5 Decommissioning	28
9	Maintenance	30
	9.1 Maintenance table	31
	9.2 Maintenance jobs.....	31
10	Troubleshooting	38
	10.1 Fault table.....	38
	10.2 Perform jump start with donor starter battery	38



11	Disposal	40
	11.1 Disposal of batteries	40
12	Accessories	41
13	Technical data	42
	13.1 DPU4545	42
	13.2 Combustion engine	44
14	Technical data	45
	14.1 DPU5545	45
	14.2 Combustion engine	48
15	Technical data	49
	15.1 DPU6555	49
	15.2 Combustion engine	53
16	Emission control systems information and warranty	54
	EC declaration of conformity	55
	EC declaration of conformity	56
	EC declaration of conformity	57

1 Preface

This operator's manual contains important information and procedures for the safe, proper and economic operation of this Wacker Neuson machine. Carefully reading, understanding and observing is an aid to avoiding hazards, repair costs and downtime, and therefore to increasing the availability and service life of the machine.

This operator's manual is not a manual for extensive maintenance or repair work. Such work should be carried out by Wacker Neuson service or by technically trained personnel. The Wacker Neuson machine should be operated and maintained in accordance with this operator's manual. An improper operation or improper maintenance can pose dangers. Therefore, the operator's manual should be constantly available at the location of the machine.

Defective machine parts must be exchanged immediately!

If you have any questions concerning the operation or maintenance, a Wacker Neuson contact person is always available.

2 Introduction

2.1 Using the manual

This manual is to be considered part of the machine and should be carefully stored during the entire service life of the machine. This manual shall be transferred to subsequent owners or users of the machine.

2.2 Storage location of the manual

This manual is part of the machine and must be kept in the immediate vicinity of the machine and made accessible to staff at all times.

If this manual is lost, or if a second copy is required, there are two options to obtain a replacement:

- Download from the Internet www.wackerneuson.com
- Contact your Wacker Neuson contact partner.

2.3 Accident prevention regulations

In addition to the notes and safety instructions in this manual, the local accident prevention regulations as well as the national health and safety regulations apply.

2.4 More information

This manual applies to various machine types from one product series. For this reason, some figures may vary slightly in appearance from the machine purchased. Depending on the model, there may be descriptions of components that are not included in the standard package.

The information contained in this manual is based on machines manufactured up to the time of printing. Wacker Neuson reserves the right to change this information.

The manufacturer shall immediately include any modifications or additions in this manual.

2.5 Target group

Individuals working with this machine must be regularly trained on the dangers of handling the machine.

This operator's manual is intended for the following persons:

Operating personnel:

These individuals have been trained on the machine and informed about the possible dangers in the event of improper conduct.

Technically trained personnel:

These people have professional training as well as additional knowledge and experience. They are able to assess the tasks assigned to them and recognize possible dangers.

2.6 Explanation of symbols

This manual contains specially emphasized safety instructions in the following categories: **DANGER**, **WARNING**, **CAUTION** and **NOTICE**.

Before performing any work on or with this machine, the notes and safety instructions must be read and understood. All notes and safety instructions in this manual must be passed on to the maintenance, repair, and transport personnel.



DANGER

This combination of symbol and signal word indicates a hazardous situation that will lead to death or serious injury if it is not avoided.



WARNING

This combination of symbol and signal word indicates a hazardous situation that can lead to death or serious injury if it is not avoided.



CAUTION

This combination of symbol and signal word indicates a hazardous situation that can lead to minor injury or damage to the machine if it is not avoided.

NOTICE

Supplementary information.

2.7 Wacker Neuson Contact partner

Depending on the country, the Wacker Neuson contact partner is a Wacker Neuson service department, a Wacker Neuson affiliate, or a Wacker Neuson dealer.

On the Internet at www.wackerneuson.com.

The manufacturer's address can be found at the beginning of this manual.

2.8 Disclaimer

For the following violations, Wacker Neuson dismisses any liability for personal injury or material damage:

- Failure to follow this manual.
- Unintended use.
- Deployment of untrained personnel.
- Using non-approved spare parts and accessories.
- Improper handling.
- Structural modifications of any kind.
- Failure to observe the "General Terms and Conditions" (GT&Cs).

2.9 Product identification of the machine**Data of the nameplate**

The nameplate contains information that uniquely identifies this machine. This information is required for ordering spare parts and when inquiring about technical issues.

- Enter information about the machine in the following table:

Designation	Your information
Group and model	
Year of manufacture	
Serial number	
Version no.	
Item number	

3 Security

NOTICE

Read and comply with all notes and safety instructions in this manual. Failure to comply with these instructions can cause electric shock, fire and/or serious injuries as well as damage to the machine and/or damage to other objects. Keep safety instructions and notes for the future.

3.1 Policy

In keeping with the latest technological developments

The machine has been built in keeping with the latest technological developments and the recognized technical safety rules. Nevertheless, improper use can result in hazards to life and limb of the user, third parties or to damage to the machine and other material assets.

Proper use

The machine may only be used for the following purposes:

- Soil compaction.
- Asphalt compaction.
- Vibration of sett paving (paving stones).

The machine may not be used for the following purposes:

- Compaction of very cohesive soils.
- Compaction of frozen soils.
- Compaction of hard, non-compressible soils.
- Compaction of non-load-bearing soils.

Use in accordance with the intended purpose also includes the observation of all safety instructions in this manual as well as complying with the prescribed care and maintenance instructions.

Any use that exceeds or is not in accordance with the intended purpose is considered improper. The manufacturer's liability and warranty are canceled for any damage resulting from improper use. The risk lies entirely with the operator.

Structural changes

Structural modifications may not be undertaken without the written permission of the manufacturer. Unapproved structural changes may result in risks to the operator and/or third parties as well as damage to the machine.

In the case of unauthorized structural changes, the liability and warranty of the manufacturer are no longer applicable.

The following cases are considered structural changes:

- Opening the machine and the permanent removal of components.
- Installing spare parts that do not originate from Wacker Neuson or are not comparable in the design system and quality of the original parts.
- Attaching any accessories that do not originate from Wacker Neuson.

Spare parts or accessories from Wacker Neuson can be safely assembled or mounted. On the Internet at www.wackerneuson.com

3.2 Areas of responsibility of the operator

The operator is the individual who personally operates this machine for industrial or commercial purposes or who entrusts a third party with the use. The operator bears legal responsibility for his/her protection as well as that of third parties.

The user must make the operator's manual available to the operator and ensure that this has been read and understood.

The manual must be kept next to the machine or place of use.

The operator must hand over the manual to subsequent operators or owners of the machine.

The country-specific regulations, standards, and guidelines on accident prevention and environmental protection must be observed. The operator's manual must be supplemented with additional instructions that take regulatory, national or generally applicable safety standards into consideration.

3.3 Operator responsibilities

- Know and implement the applicable industrial safety regulations.
- Use a risk assessment to identify the dangers that result from the working conditions at the site of application.
- Create operating instructions for the operation of this machine.
- Periodically check whether the user instructions correspond to the current state of regulations.
- Clearly regulate and specify responsibilities for operation, troubleshooting, maintenance, and cleaning.
- Regularly train employees and inform them about potential hazards.
- Provide employees with the necessary equipment.

3.4 Personnel qualification

This machine may only be installed and operated by trained personnel.

In the event of misuse, misapplication or operation by untrained personnel, dangers threaten the health of the operator or third parties and damage to or the complete failure of the machine also threatens.

In addition, the operator should be:

- Be physically and mentally eligible.
- No influence on the ability to respond on account of drugs, alcohol or medication.
- Familiar with the safety instructions in this manual.
- familiar with the intended use of this machine.
- Have reached the minimum age of 18 to operate this machine.
- Be instructed in the independent operation of the machine.
- Be authorized to operate machines and systems independently according to the standards of safety engineering.

3.5 General sources of danger

Residual dangers in particular are hazards when dealing with machines that, despite a safe design, cannot be eliminated.

These residual dangers are not obvious and may be the source of a possible injury or health hazard.

If unforeseeable residual dangers occur, the operation of the machine is to be stopped immediately and the competent supervisor is to be informed. This supervisor shall make the following decisions and initiate everything required to eliminate the occurring danger.

If necessary, the machine manufacturer is to be informed.

3.6 General safety instructions

The safety instructions in this chapter include the "General Safety Instructions", which should be reported in the manual in accordance with the applicable standards. There may be information that is not relevant to this machine.

3.6.1 Working area

- Before beginning work, familiarize yourself with the working environment, e.g. the load-bearing capacity of the floor or obstacles in the vicinity.
- Make working area safe for the public transport sector.
- Necessary fuse protection of walls and ceilings, e.g. in trench applications.
- Keep the working area tidy. Cluttered or dark working areas can lead to accidents.
- Using this machine in an explosive atmosphere is prohibited.
- When using this machine, children and unauthorized individuals must be kept away. Distraction can lead to loss of control of the machine.
- Always protect the machine against tilting, rolling, sliding, and crashing. Risk of injury!

3.6.2 Service

- The machine should only be maintained/repaired by technically trained personnel.
- Use only original spare parts and accessories. This ensures the operational safety of the machine.

3.6.3 Personal safety

- Working under the influence of drugs, alcohol, or drugs can lead to serious injuries.
- Protective equipment should be worn for all work. Appropriate personal protective equipment considerably reduces the risk of injury.
- Remove any tools before the machine is put into operation. Tools that are located on a rotating machine part can be ejected and cause serious injury.
- Always ensure good footing.
- In the case of extensive work with this machine, long-term vibration-induced damage cannot be ruled out. For exact values of vibration measurement, refer to the *Technical Data* section.
- Wear suitable clothing. Keep loose clothing, gloves, jewelry, and long hair away from moving/rotating machine parts. Danger of being pulled!
- Ensure that no other individuals are in the danger zone!

3.6.4 Handling and use

- Handle machines with care. Do not operate machines with defective components or operator's controls. Immediately replace defective components or operator's controls. Machines with defective components or operator's controls carry a high risk of injury!
- The operator's controls of the machine shall not be improperly locked, manipulated, or changed.
- Store unused machines out of reach of children. The machine may only be operated by authorized personnel.
- The machine, accessories, and tools should be used in accordance with these instructions.
- After operation, store the cooled-down machine in a locked, clean, frost-protected, and dry location that is inaccessible for children and other unauthorized individuals.

3.7 Specific safety instructions – Vibratory plates

3.7.1 External influences

In the case of the following external influences, the vibratory plate may not be operated:

- In heavy rain on sloped surfaces. Risk of slipping!
- Oil field environments – methane leaks from bottom. Explosion hazard!
- In dry, flammable vegetation. Fire hazard!
- In potentially explosive areas. Explosion hazard!

3.7.2 Operational safety

- When operating the machine, make sure that no gas, water, or electric lines are damaged.
- The machine must not be operated in tunnels or enclosed spaces.
- Pay maximum attention near drops or slopes. Risk of crashing!
- The operator must not leave the operator location behind the center pole while it is in operation.
- Do not leave the machine unattended. Risk of injury!
- Delimit spacious workspace and restrict access to unauthorized individuals. Risk of injury!
- Machine operators must ensure that people in the working area keep a minimum distance of 2 meters from the running machine.
- Do not use any starting aid sprays. These can cause misfires as well as engine damage. Fire hazard!
- When operating the machine on sloped surfaces, always approach slopes from below and always stay above the machine on a slope. The machine could slip or tip over.
- Do not exceed max. allowable slanting position of the machine – possible failure of the engine lubrication, see chapter *Technical Data*.
- Only Wacker Neuson use starter batteries. These are vibration proof and therefore suitable for the high vibration exposure.

3.7.3 Minimum safety distances

Compaction work near buildings can cause damage to buildings. Therefore, all potential effects and vibrations on surrounding buildings must be checked in advance.

The relevant rules and regulations for measuring, evaluating and reducing vibration emissions - especially the DIN 4150-3 - must be considered.

Wacker Neuson assumes no liability for any damage to buildings.



3.8 General safety instructions - Combustion engines

The following notes must be observed:

- Before starting work, check the engine to ensure there are no leaks and/or cracks in the fuel lines, tank, and fuel cap.
- Do not operate a defective engine. Replace damaged parts immediately.
- The pre-set engine speed may not be adjusted. This could lead to engine damage.
- Make sure that the exhaust system of the engine is free of debris. Fire hazard!
- Switch off before refueling the engine.
- Use the correct fuel type. The fuel may not be mixed with other liquids.
- Use clean filling aids for refueling. Do not spill fuel. Immediately wipe up any spilled fuel.
- The engine may not be started near spilled fuel. Explosion hazard!
- For operation in partially closed spaces, sufficient ventilation and aeration must be ensured. Do not inhale exhaust fumes. Risk of poisoning!
- The engine surface and exhaust system can quickly become extremely hot. Risk of burns!

NOTICE

This machine is outfitted with an EPA-certified engine.

Adjusting the revolutions per minute (RPM) impacts the EPA-certification and the emissions. Settings for this engine may only be changed by a professional.

For more information, contact the manufacturer or your Wacker Neuson contact partner.

3.9 General safety instructions – fuel, lubricants and coolants

The following notes must be observed:

- Always wear safety glasses and protective gloves when handling fuel, lubricants, and coolants. If hydraulic oil, fuel, oil, or coolant gets into your eyes, see a doctor immediately.
- Avoid direct skin contact with fuel, lubricants and coolants. Immediately rinse skin with soap and water.
- Do not eat or drink while working with fuel, lubricants and coolants
- Contaminated hydraulic oil or fuel from dirt or water can lead to premature wear or failure of the machine.
- Dispose of spilled fuel, lubricants and coolants according to the applicable provisions for environmental protection.
- If fuel, lubricants and coolants escape from the machine, do not operate the machine any longer and have it repaired immediately by the Wacker Neuson contact partner.

3.10 General safety instructions – starter batteries

The following notes must be observed:

- When disconnecting the starter battery, always disconnect the negative terminal first!
- When connecting the starter battery, always connect the positive terminal first! Fasten battery terminal cover!
- Flames, sparks, and smoking are prohibited when handling starter batteries.
- Starter batteries contain corrosive acid. Wear acid-proof protective gloves and safety glasses when handling starter batteries.
- Prevent incorrect connection of the starter battery or bridging of the terminals with tools. Risk of short circuit!

NOTICE

Never add acid or distilled water.

Observe the battery manufacturer's instructions for charging.

Never open the battery to remove the aeration.

3.11 Maintenance




The following notes must be observed:

- This machine may not be maintained, repaired, adjusted or cleaned while switched on.
- Adhere to maintenance intervals.
- After each maintenance or repair, the safety devices on this machine must be reattached.
- Observe the maintenance schedule. Non-listed work must be taken over by the service department of the Wacker Neuson contact partner.
- Immediately replace worn or damaged machine parts. Only use spare parts from Wacker Neuson.
- Keep the machine clean.
- Missing, damaged, or illegible safety warning labels should be replaced immediately. Safety stickers contain important information for the protection of the operator.
- Maintenance jobs must be performed in a clean and dry vicinity (e.g. workshop).

3.12 Personal Protective Equipment

NOTICE

To prevent personal injury when handling this machine, personal protective equipment must be worn when working on or around this machine.

Pictogram	Significance	Description
	Wear safety shoes!	Safety shoes provide protection from bruises, falling objects, and slipping.
	Wear protective gloves!	Protective gloves provide protection from abrasion, cuts, punctures, and hot surfaces.
	Wear ear protection!	Ear protection provides protection from permanent hearing impairment.

NOTICE

With this machine, the permissible, country-specific noise limit (personal rating level) may be exceeded. Therefore, ear protection must be worn. For exact values regarding noise emissions, refer to *Technical Data* section.

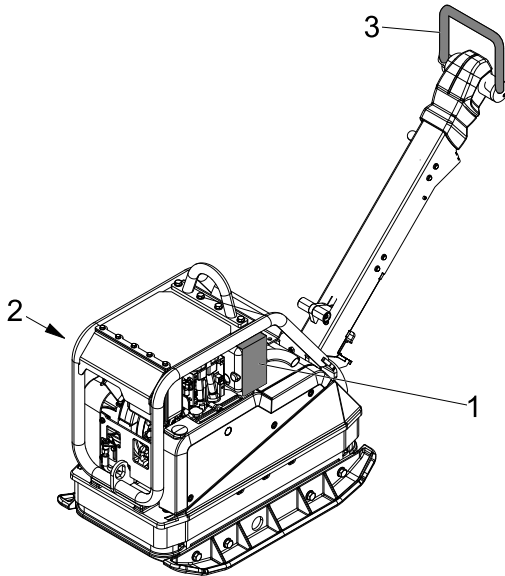
Work particularly cautiously and pay attention when wearing ear protection, as your ability to hear noises, such as screams or signal tones, is restricted.

Wacker Neuson recommends always wearing ear protection.

3.13 Safety devices

Safety devices protect the user of this machine from being exposed to existing hazards. These are barriers (separating protective devices) or other technical measures. This prevents the user from being exposed to a danger. The source of danger will be eliminated in certain situations or the danger will be reduced.

This machine has the following safety equipment:



Item	Designation	Item	Designation
1	Contact protection of exhaust system	3	Automatic central position of control handle
2	Belt guard		

NOTICE

Always tighten loosened screwed connections with the prescribed torque setting.

3.14 Behavior in dangerous situations

Preventive measures:

- Always be prepared for accidents.
- Keep first aid equipment on hand.
- Make sure that all employees are familiar with accident reporting, first aid, and rescue facilities.
- Keep access routes clear for emergency vehicles.
- Make sure that employees receive first aid training.

Measures in the case of an emergency:

- Immediately take the machine out of operation.
- Remove injured and other people from the danger zone.
- Initiate first aid measures.
- Alert rescuers.
- Keep access routes clear for emergency vehicles.
- Inform the person responsible at the site of application.

4 Safety and information labels



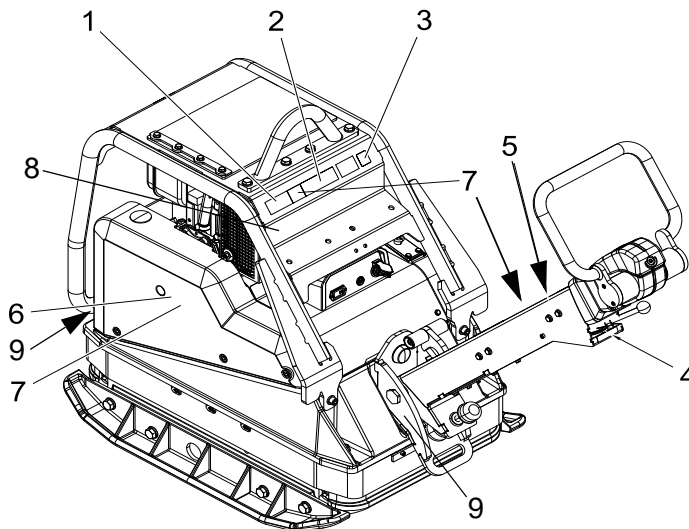
WARNING






Illegible symbols

Over time, labels and signs on the machines can become dirty or otherwise unrecognizable.





- Keep all safety, warning, and operating instructions on the machine in a legible condition.
- Replace damaged labels and signs immediately.

The following labels are located on the machine:



Item	Label	Description
1		Use personal protection equipment in order to avoid injuries and health hazards: <ul style="list-style-type: none"> ■ Ear protection. ■ Read operator's manual.
2		Falling machines can cause serious injury. <ul style="list-style-type: none"> ■ Only lift machine at the central lifting point with certified lifting gear and tackle (safety load hook). ■ Do not lift the machine on the central lifting point with an excavator bucket. ■ Do not lift the machine on the central lifting point with a forklift.
3		Guaranteed sound power level.
4		Start/Stop.
5		Falling machines can cause serious injury. <ul style="list-style-type: none"> ■ Do not lift the machine with the control handle or center pole.



Item	Label	Description
6	DPU45.., DPU55.. 	Warning. Body parts can be crushed or cut off from rotating engine parts. ■ Do not touch the support of the starting crank.
7	US Machines 	Warning.
8	Machines with electric starter 	Start/Stop.
9		Tie-down.

5 Setup and function

5.1 Standard package

The machine is delivered fully assembled and is ready for operation out of the box.

The standard package includes:

- Vibratory plate
- Starting crank (optional)
- Operator's manual

5.2 Application areas

The vibratory plate is used for compacting soil. It is used in gardening and landscaping as well as civil engineering, road construction, and paving.

5.3 Short description

The vibratory plate is a machine used to compact soils.

The vibration required for the compression is generated by the exciter firmly connected to the base plate. This exciter is designed as a centrally mounted exciter with single-plane vibrations. Such a principle allows for a modification in the vibration direction by turning the eccentric weights.

A variable transition between compression in travel speed, on the spot compaction and in reverse travel is therefore possible. This process is controlled hydraulically with the control handle on the center pole head.

The drive motor attached to the upper mass drives the exciter. The torque is firmly transferred through the centrifugal clutch and the exciter V-belt.

At low engine speeds, the centrifugal clutch interrupts the force flow to the exciter and thereby allows a flawless idling of the drive motor.

The automatic v-belt pulley combined with the centrifugal clutch ensures an optimal tension of the exciter V-belt during operation and for relief of the exciter V-belt during offsetting or during transport of the machine.

In addition, the automatic v-belt pulley automatically adjusts to the wear of the V-belt edges and thus makes the entire drive system from the engine to the exciter maintenance-free.

The drill speed of the drive motor can be variably adjusted by remote control on the throttle lever and locked into the idle position. The upper mass and base plate are connected to each other by 4 vibration absorbing rubber metal buffers. This attenuation prevents a transmission of the very high frequencies to the upper mass. The functionality of the drive motor therefore remains preserved, despite the high compaction performance. The drive motor works according to the diesel principle, is electrically started via a gear and pinion starter, draws the combustion air through a dry-type air cleaner and is air-cooled.

To facilitate the starting process (when very cold, during manual start), the drive motor has a decompression automation system. This causes the compression to be very low when starting to turn, but to steadily increase after a few revolutions to then switch to full compression.

Operating hour meter (optional)

On the operating hour meter, the operating hours of the machine can be accurately read, thereby allowing for better observance of the maintenance intervals.

Extension plates

For larger working areas, additional mounting plates are recommended.

Compatec – compaction display (optional):

The Compatec compaction display is attached to the battery cover and is within the operator's line-of-sight. The display, which consists of eight light-adjusting LEDs, displays the relative compaction progress by successively lighting up. When the number of illuminated LEDs no longer increases, this means that no further compaction can be achieved with the machine. The operator can finish the work and avoid unnecessary passes or over-compaction of the soil.

The overload display indicates if the machine is being operated on too hard of a surface. The operator is notified of this through rapid flashing of all eight LED's.

Compatec – compaction display is suitable for all highly compactable and mixed-grained soils.

NOTICE

Compatec – compaction display only supports soil compaction and does not replace the professional measuring of soil density by an expert.

Narrow protective frame (optional)

For narrow cable trenches, the narrow protective frame is recommended.

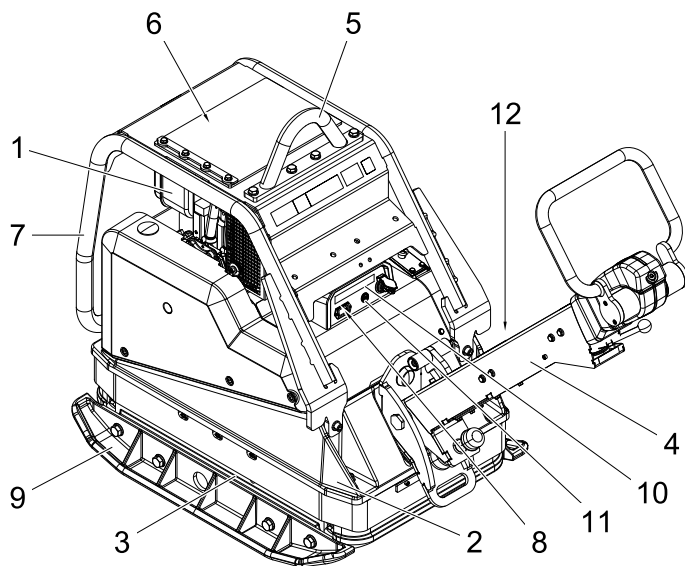
5.4 Versions

This operator's manual covers the following models:

Versions	Description
e	Electric starter
h	Operating hour meter
ap	Extension plates
c	Compatec – compaction display
s	Narrow protective cage
zf	Additional filters

6 Components and operator's controls

6.1 Components



Item	Designation	Item	Designation
1	Drive motor	7	Protective frame
2	Upper mass	8	Operating hour meter (optional)
3	Base plate	9	Extension plates
4	Center pole	10	Compatec – compaction display (optional):
5	Central lifting point	11	Control lamp operation
6	Fuel tank	12	Nameplate

Center pole

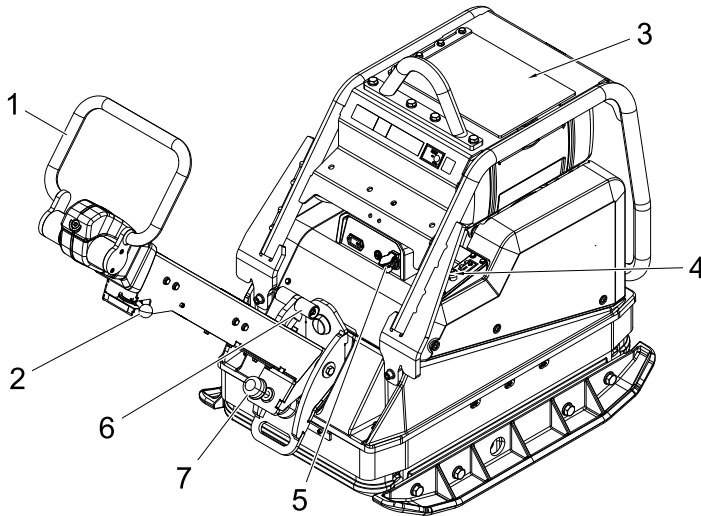
The optimal working height of the center pole can be adjusted by adjusting the threaded spindle.

Central lifting point

The central lifting point is used to lift the machine. This is found in the center of gravity of the machine.

6.2 Operator's controls

Always keep the display and operator's controls on the machine clean, dry, and free of oil and grease. Operator's controls, such as the ON/OFF switch, throttle control handles, etc. may not be locked, manipulated or changed without permission.



Item	Designation	Item	Designation
1	Control handle	5	Ignition lock
2	Throttle lever	6	Handle center pole lock
3	Decompression lever	7	Threaded spindle
4	Jump start pin		

Control handle

The control handle is used to continuously regulate the speed and travel direction.

Throttle lever

The drill speed of the drive motor can be continuously adjusted by remote control on the throttle lever and locked into the idle position.

Decompression lever

The decompression lever may only be actuated to start the machine.

Jump start pin

The jump start pin facilitates connecting the jumper cable when jump starting.

Handle center pole lock

The handle center pole lock is used to release the center pole so that it can be returned to working position.

Threaded spindle

The threaded spindle is used to set the optimal working height of the center pole.

7 Transport



WARNING

Improper handling may result in injury or serious material damage.

- Please read and follow all safety instructions in this operator's manual.



DANGER

Danger from falling.

Falling machines can cause serious injury e.g. through crushing.

- Only use suitable and tested lifting gear and tackle (safety load hooks) of sufficient lifting capacity.
- Only lift the machine from the central lifting point.
- Reliably secure the machine to the lifting gear.
- Do not lift the machine on the central lifting point with a forklift or excavator bucket.
- Do not lift the machine at the control handle.
- Evacuate danger zone while lifting, do not stop under suspended loads.



WARNING

Risk of fire and explosion from fuel.

Escaping fuel may catch fire and cause serious burns.

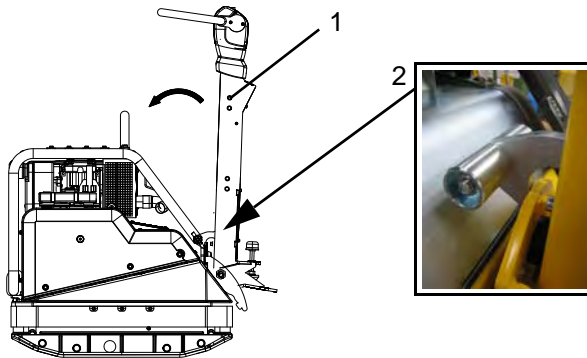
- Lift and transport the machine upright.

7.1 Loading and transport

Carry out preparations

NOTICE

Wacker Neuson recommends emptying the fuel tank prior to transport.

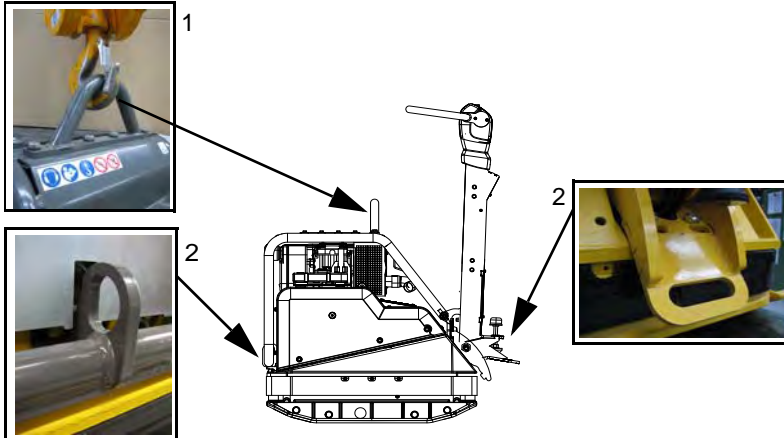


Item	Designation	Item	Designation
1	Center pole	2	Handle center pole lock

When loading and transporting, the center pole must be locked into place by engaging the center pole lock in the vertical position.

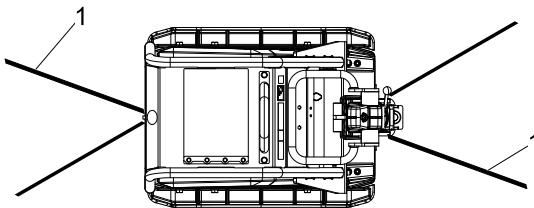
Lifting and lashing down the machine**NOTICE**

Appoint a specialist flagman for a safe lifting operation.



Item	Designation	Item	Designation
1	Central lifting point	2	Tie-down lugs

1. To lift the machine, hang suitable tackle at the central lifting point.
2. Carefully load machine into or onto a stable means of transport.



Item	Designation
1	Belt

3. After loading the machine, lash down the machine to prevent it from rolling off, slipping, or tipping over. Attach tie-down lugs to the designated lashing points.

8 Operation and use



WARNING

Improper handling may result in injury or serious material damage.

- Please read and follow all safety instructions in this operator's manual.

8.1 Before commissioning

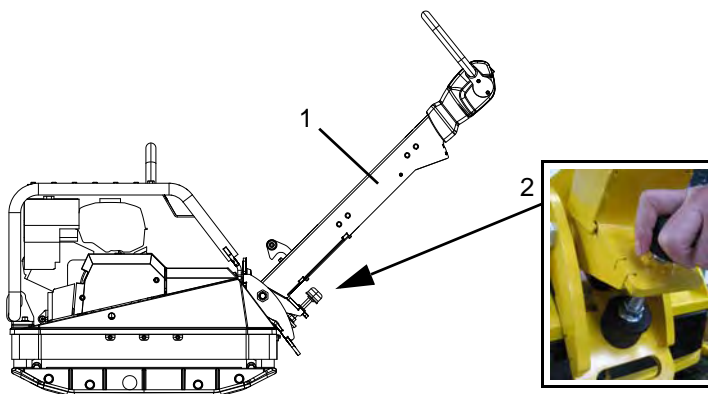
8.1.1 Inspection before commissioning

- Check the machine and components for damage. In the event of visible damage, do not operate the machine and immediately contact a Wacker Neuson dealer.
- Ensure that loose packaging material has been removed from the machine.
- Check fuel level.
- Check the engine oil level.
- Check hydraulic oil level.
- Check the fuel lines for leak tightness.
- Check to ensure the screwed connections are firmly seated.

NOTICE

Perform control procedures according to the *Maintenance* chapter. If necessary, top off missing fuel, lubricants and coolants, see chapter *Technical Data*.

8.1.2 Set center pole



Item	Designation	Item	Designation
1	Center pole	2	Threaded spindle

The optimal working height of the center pole can be adjusted by adjusting the threaded spindle.

8.2 Notes about operation



WARNING

Danger of tipping

There is a serious risk of injury from slipping or tipping over of the machine.

Near edges, at least 2/3 of the machine must be on a load-bearing surface.

- Turn off the machine and lift it back onto a load-bearing surface.



WARNING

Health hazard from exhaust fumes

- The exhaust fumes of this engine contain chemicals, which the state of California knows can cause cancer, birth defects or other reproductive damage.

Operation on sloped surfaces

- Always stand above the machine within the area of a slope.
- Only approach gradients from below (a gradient that can be easily driven up can also be driven down without any risk).
- Do not stand in the direction of descent of the machine.
- Do not exceed the maximum allowable slanting position (see *Technical Data*) chapter.
- Only operate the machine for a short time in maximum allowable slanting position.

NOTICE

If the maximum permissible slanting position is exceeded, this results in a failure of the engine lubrication and therefore inevitably causes a defect of important engine parts.

Vibrating sett paving (paving stones)

When compacting interlocking paving stones, Wacker Neuson recommends the application of the sliding mechanism in order to avoid damage to the machine and compaction material. See chapter *Accessories*.

8.3 Commissioning

DANGER

Fire hazard

Jumper cable sprays are highly flammable; they can ignite and cause severe burns.

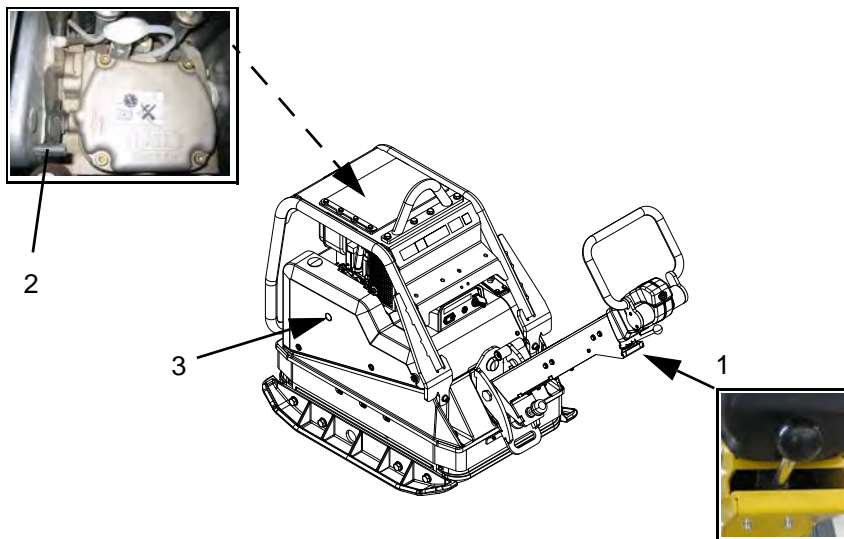
- Do not use jumper cable sprays.
-

8.3.1 Commissioning the machine (manual start)

WARNING

The starting crank can cause serious injuries.

- Do not use any defective starting cranks.
 - Only use a clean starting crank.
-



Item	Designation	Item	Designation
1	Throttle lever	3	Starting crank support
2	Decompression lever		

1. Put the throttle lever in the full throttle position.
2. Pull the decompression lever up.

NOTICE

In this position, the decompression automation system audibly locks into place and the engine is ready to start.

3. Stand next to the machine.
4. Insert the starting crank into the support.



5. Grab the crank handle with one hand. Support yourself on the protective cage with the other hand.

NOTICE

After the decompression automation system locks into place, give starting crank revolutions are required until the engine can be re-compressed and strike.

6. First slowly turn the starting crank counter-clockwise until the ratchet snaps into place. Then turn powerfully with increasing speed.

NOTICE

Once the engine starts, the decompression lever disengages (the maximum possible speed must be reached), the engine starts and the vibration starts.

The friction connection between the engine and starting crank must be ensured through the anti-twist holding of the crank handle and rapid cranking and may not be interrupted during the starting process under any circumstances.

If a recoil occurs during the starting process from not turning the crank hard enough, the connection between the crank web and starting dog is disengaged via the crank handle due to the short backturn.

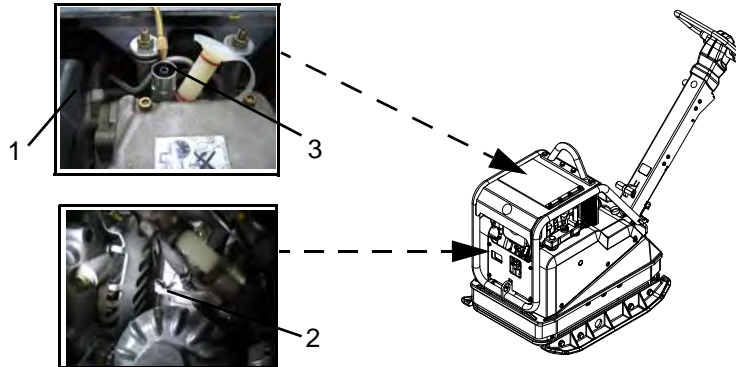
When making another attempt at starting, wait until the engine comes to a standstill. Do not actuate the decompression lever when the engine is running.

7. Pull the starting crank out of the support.
8. Put the throttle lever in the idle position and lock into place.
9. Suspend the starting crank in the provided bracket.
10. Allow the machine to warm up by idling for a few minutes.

8.3.2 Commissioning the machine in the cold (manual start)

NOTICE

For temperatures below -5 °C, generally freely turn the engine.



Item	Designation	Item	Designation
1	Decompression lever	3	Metering device
2	Lever for the oil pressure monitoring		

1. Move the decompression lever to the center position.
2. Crank the engine with the starting crank counter-clockwise until it noticeably rotates more easily (10 - 20 crank revolutions).
3. Press the lever of the mechanical oil pressure monitoring for 15 seconds.

NOTICE

Remove dirt in the area of the metering device cover and remove the cover.

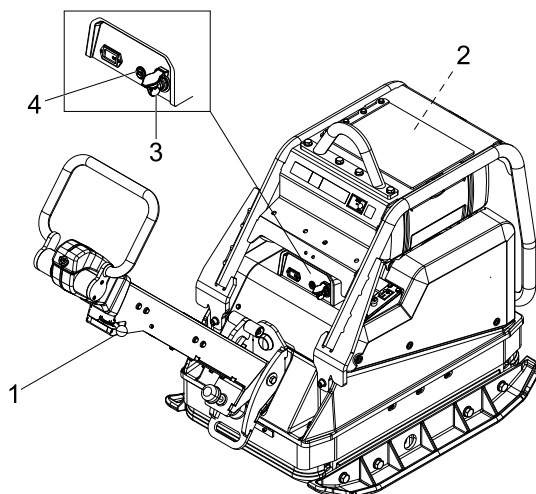
4. Fill motor oil in the metering device up to the upper rim.
5. Seat the cover and forcibly press it in.

NOTICE

Two fillings in succession are necessary.

6. Pull the decompression lever up until the detent.
7. Then start the engine immediately. See the chapter "*Commissioning the machine (manual start).*"

8.3.3 Commissioning the machine (electric start)



Item	Designation	Item	Designation
1	Throttle lever	3	Ignition lock
2	Decompression lever	4	Charge control lamp

- Put the throttle lever in the full throttle position.

NOTICE

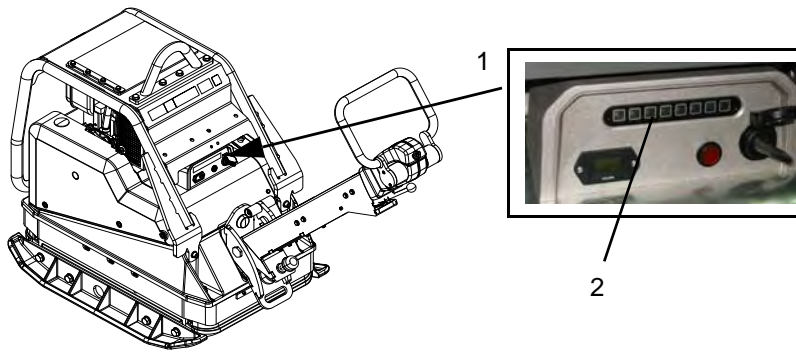
In extreme cold, actuate the decompression lever as well and push it up. In this position, the decompression automation system audibly locks into place and the engine is ready to start.

- Insert the ignition switch key into the ignition lock and turn to the right. The charge control lamp will illuminate and the acoustic signal will sound.
- Turn ignition switch key to position II. As soon as the engine starts, release the ignition switch key.

NOTICE

As soon as the engine starts, the vibration will begin.

- Put the throttle lever in the idling position.
- Allow the machine to warm up by idling for a few minutes.

Machine with Compatec – compaction display (optional)


Item	Designation	Item	Designation
1	Display unit	2	LEDs/light progress bar

1. During the first few seconds after starting the machine, a light progress bar appears on the display unit.
2. LEDs light up starting from left to right.

NOTICE

If all LEDs light up, the system is fault-free. The LEDs will then switch off one after the other.

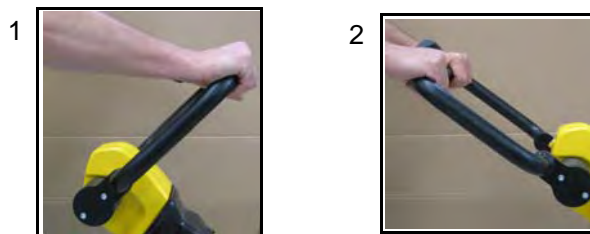
3. All LEDs will briefly light up again at reduced brightness.
4. The sensor is thus successfully tested and the display is ready for operation.

NOTICE

If all LEDs permanently light after initialization, the sensor has not been successfully tested; see troubleshooting chapter.

8.4 Operation

- In accordance with the intended purpose, the operator should stand behind the machine.
- Guide and steer machine using the control handle.

8.4.1 Select the travel direction


Item	Designation	Item	Designation
1	Forward	2	Reverse

1. Put the throttle lever in the full throttle position.
2. Select travel direction and speed with the control handle.

8.4.2 Reading Compatec – compaction display

This display roughly indicates the progress of the compaction.

NOTICE

To protect the machine, the display unit warns the operator of over-compaction by quickly flashing all LEDs. The brightness of the LED automatically adjusts to the light conditions of the working area.

- The number of LEDs lit is proportional to the soil density, more illuminated LEDs corresponds to a higher soil density.

NOTICE

It is possible to detect missing spots (non-compactable material) if the spot is longer than one meter.

In the case of abrupt change from high to low-compacted soil (or vice versa), there is a slow increase or decrease of the LEDs.

8.5 Decommissioning

NOTICE

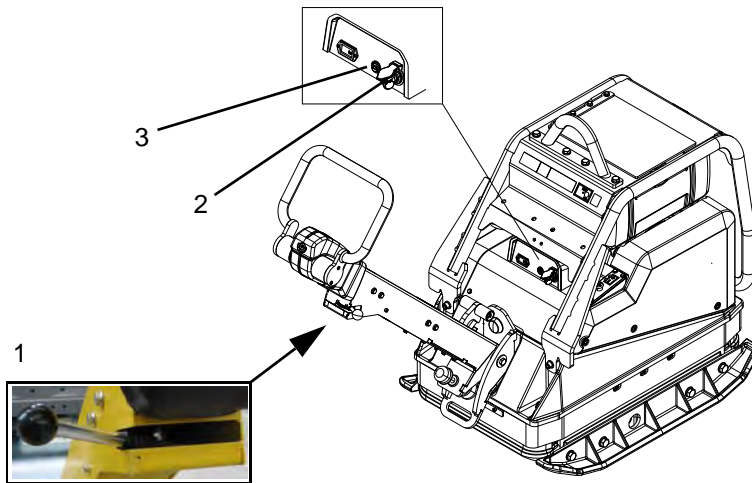
Do not decommission the machine with the decompression lever, since this inevitably leads to damage to the machine or engine.

8.5.1 Decommissioning the machine (manual start)



Item	Designation
1	Throttle lever

1. Put the throttle lever back to the detent.
2. The engine comes to a standstill.

8.5.2 Decommissioning the machine (electric start)


Item	Designation	Item	Designation
1	Throttle lever	3	Charge control lamp
2	Ignition lock		

1. Put the throttle lever back to the detent.
2. After the engine has come to a standstill, turn the ignition switch key in the ignition lock to the left and pull out. The charge control lamp will go out and the acoustic signal will be silent.

NOTICE

The Compacec compaction display automatically switches itself off once the ignition switch key is pulled out. The display unit has no "sleep function." Continuous operation without engine operation leads to battery drainage.

9 Maintenance

**WARNING**

Improper handling may result in injury or serious material damage.

- Please read and follow all safety instructions in this operator's manual.

**WARNING**

Danger of poisoning from exhaust fumes.

Exhaust fumes contain poisonous carbon monoxide, which can lead to unconsciousness or to death.

- Only perform maintenance jobs with the engine switched off and the machine decommissioned.

**WARNING**

Risk of injury from uncontrolled starting of the machine and moving parts.

- Only perform maintenance jobs with the engine switched off and the machine decommissioned.

**WARNING**

Risk of fire and explosion from fuel and fuel vapors.

Fuel and fuel vapors may ignite or catch fire and cause serious burns.

- Do not smoke.
- Do not refuel near open flames.
- Switch off the engine and allow to cool before refueling.

**WARNING**

Warning of hot surfaces

The muffler and engine can become extremely hot, which can lead to severe skin burns if touched.

- Always allow the engine to cool down completely after use.
- If the cool-down phase cannot be adhered to (e.g. due to an emergency), use heat-resistant protective gloves.

**WARNING**

Risk of injury due to non-existent or non-functioning safety devices.

- Only operate the machine if the safety devices are properly fixed and functioning.
- Do not modify or remove safety devices.

9.1 Maintenance table

Maintenance jobs	Daily	h/year	Weekly	Monthly
Clean the machine Visual inspection for completeness Visual inspection for damage	■			
Check the engine oil level*	■			
Replace the engine oil*		25 h/250 h		
Replace the engine oil filter*		25 h/250 h		
Clean, set, repair, replace the injection nozzles*		1500 hours		
Clean, set, repair the injection valve*		3000 hours		
Replace the fuel filter*		500 hours		
Check water trap*			■	
Check the intake area of the combustion air*	■			
Check air cleaner service indicator*	■			
Cleaning, replacing the air cleaner cartridge*	■	500 hours		
Check the tapped clearance**		25 h/250 h		
Check the exciter oil level				■
Replace the exciter oil		250 h/1/2 year		
Check hydraulic oil level**				■
Check hydraulic hose lines**		125 hours		
Check / replace the V-belt				■
Check the rubber buffer**		125 hours		
Check the to ensure the screwed connections are firmly seated	■			■
Re-lubricate the threaded spindle and ratchet pin			■	
* Note the engine operator's manual. ** Have this work performed by the service department of your Wacker Neuson contact partner.				

9.2 Maintenance jobs

CAUTION

Health risk from fuel, lubricants and coolants.

- Do not inhale fuel, lubricants, coolants or vapors.
- Avoid contact of skin or eyes with fuel, lubricants and coolants.

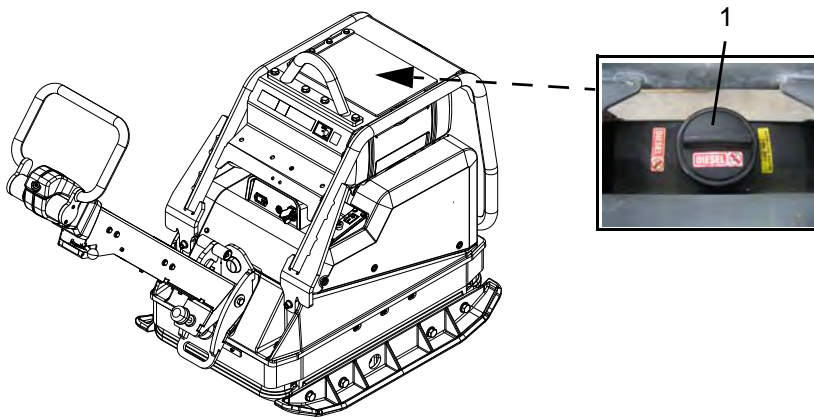
**WARNING**

Risk of fire and explosion from fuel and fuel vapors.

- Do not smoke.
- Do not refuel near open flames.
- Switch off engine and allow to cool before refueling. Only refuel in a well-ventilated vicinity.

Carry out preparations:

1. Place the machine on a level surface.
2. Decommissioning the machine.
3. Allow engine to cool down.

Check the fuel level and top off

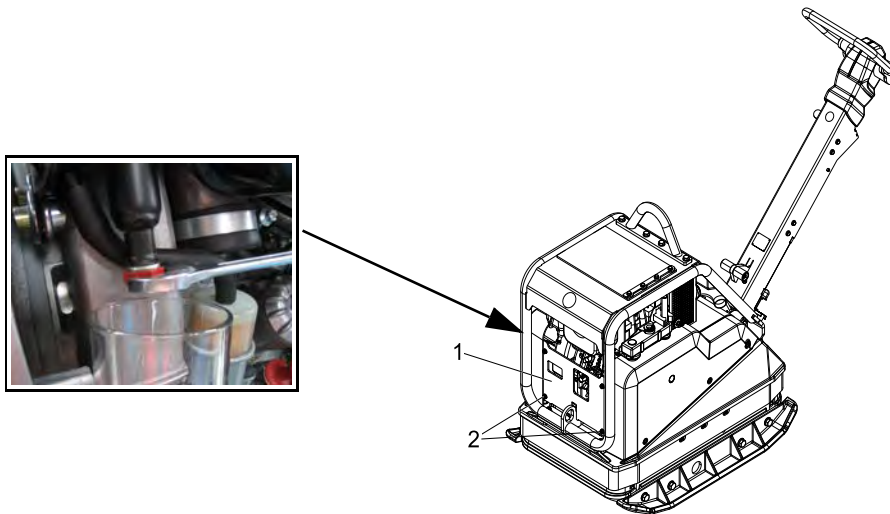
Item	Designation
1	Fuel filler neck

1. Fold the cover to the side.
2. Remove dirt accumulation within the range of the fuel filler neck.
3. Open the fuel filler neck
4. Check the fuel level by visual check
5. If necessary, top off the fuel with a clean filling container.
Fuel type See chapter *Technical Data*.

NOTICE

Only fill the fuel tank to the bottom edge of the filler neck.

6. Tightly seal the tank cap.

Check water trap

Item	Designation	Item	Designation
1	Plate cover	2	Hexagonal bolt

1. Dismantle the plate cover.
2. Loosen the hexagonal bolt 2-3 by revolutions.
3. Collect the escaping drops in a transparent container.

NOTICE

Since water is specifically heavier than diesel fuel, the water will exit first and then the fuel. This can be seen by a clear separating line.

4. Once only fuel is escaping, tighten the hexagonal bolt.
5. Attach the plate cover.

Cleaning the machine**WARNING**

Risk of fire and explosion when using flammable cleaning agents.

- Do not clean the machine and elements with gasoline or other solvents.

NOTICE

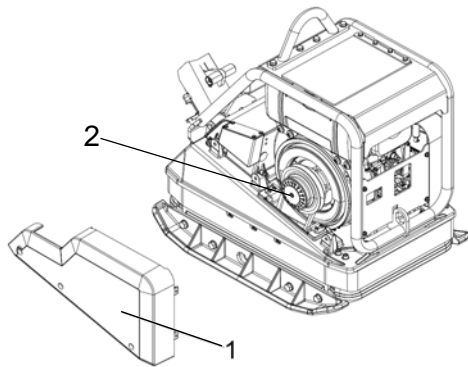
Penetrating water can damage the engine, electrical operator's controls or components of the machine. Do not aim high pressure washer directly at air intake area and electrical elements.

1. After cleaning, check the cable, hoses, utility lines and hardware for leaks, loose connections, chafe marks and other damage.
2. Immediately eliminate detected damage.

Screwed connections

For the vibratory plates, the screwed connections must be regularly checked for a firm seat.

Check and replace V-belt and belt stabilizer



Item	Designation	Item	Designation
1	Belt guard	2	Screw

1. Disassemble the belt guard.
2. Check the condition of the V-belt and the belt stabilizer. If the V-belt width should be less than 15.5 mm or if there is visible damage, this must be replaced.
3. Loosen the screw.
4. Remove the mushroom-shaped plate, bellville lock washers and gasket.
5. Pull the v-belt pulley (engine) away from the machine and the V-belt will loosen.
6. Push the V-belt down until it slips away from the v-belt pulley (exciter).
7. Push the V-belt up and out.

NOTICE

Do not oil or grease coupling parts, as this could damage the graphite bushings and the friction linings and V-belt could slip.

8. Place the new V-belt around the v-belt pulley (exciter) and press over the v-belt pulley (engine).

NOTICE

Move the V-belt back and forth to check whether this is seated properly in both v-belt pulleys.

9. Push the v-belt pulley (engine) inwards towards the machine.
10. Screw the gasket, bellville lock washers and mushroom-shaped plate back on with the screw. The torque setting is 49 Nm.

NOTICE

Due to the application of the automatic centrifugal clutch, it is not necessary to re-tension the V-belt.

11. Seat the belt guard and screw tight. The torque setting is 25 Nm.

Replace the exciter oil and check the oil level

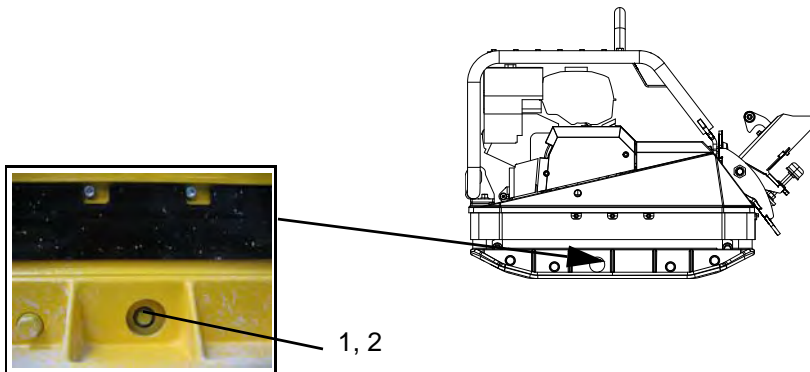
DANGER

Risk of scalding

- Use caution when draining hot oil.
-

NOTICE

Perform oil change and oil level check with warm exciter oil. Machine must not be in use and must be level.



Item	Designation	Item	Designation
1	Screw plug	2	Filler boring

NOTICE

Lay an impermeable film on the working surface to protect against escaping oil.

1. Tip the machine to the side of the filler boring and support it.
2. Place an appropriate collecting container below the filler boring.
3. Remove dirt accumulation within the range of the filler boring.
4. Unscrew the screw plug from the filler boring and allow the waste oil to drain completely.

NOTICE

Collect escaping or overflowing oil and dispose of with the waste oil in an environmentally friendly manner in accordance with the existing rules and regulations of the legislative body.

5. Tip the machine to the other side and support it.

NOTICE

Only fill with the prescribed volume of oil.

6. Fill new oil (see chapter *Technical Data* for the exciter oil type and volume) in the filler boring. Use an appropriate and clean filling container.
7. Place the machine level on the ground.
8. Screw the screw plug with seal ring into the filler boring. The torque setting is 100 Nm.

Changing the starter battery



DANGER

Risk of electric shock

Risk of injury from simultaneous touching of positive terminal and ground.

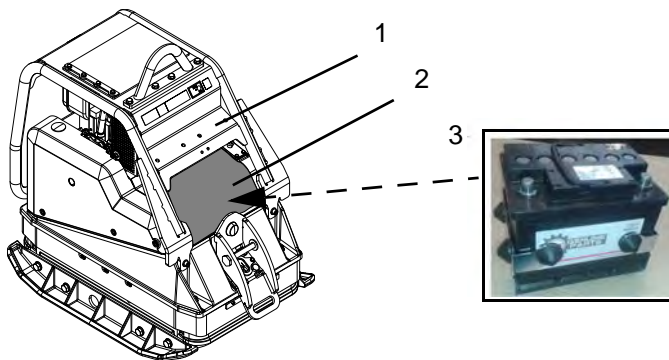
- Always disconnect the negative terminal first.
- Always connect the positive terminal first.
- Always cover one terminal to prevent accidental short circuits.
- Hazard from fuel, lubricants and coolants - acid splashes.

NOTICE

Only Wacker Neuson use starter batteries.

Only replace defective starter batteries with Wacker Neuson starter batteries. See *Technical Data* section.

Only the Wacker Neuson starter battery is vibration proof and therefore suitable for the high vibration exposure.



Item	Designation	Item	Designation
1	Protective frame	3	Starter battery
2	Battery cover		

1. Remove the protective cage.
2. Remove the battery cover and disconnect the positive terminal cover.

NOTICE

First disconnect negative terminal, then positive terminal.

3. Disconnect starter battery.
4. Lift out defective starter battery and remove battery protection support.
5. Attach battery protection support to the new starter battery.
6. Insert the new starter battery.
7. Attach the positive terminal cover.

NOTICE

First connect positive terminal, then the negative terminal.

8. Connect starter battery.



Item	Designation	Item	Designation
1	Positive terminal cover	2	Coiled helix cable

NOTICE

Before installing the battery cover, ensure that the positive terminal cover is attached.
When assembling the starter battery, pay attention to the coiled helix cable.

9. Attach the battery cover.
10. Attach the protective cage.

10 Troubleshooting



DANGER

Danger to life from unauthorized troubleshooting.

- If faults occur with this machine that are not described in this manual, contact the manufacturer. Do not eliminate the faults independently.

10.1 Fault table

Fault	Possible causes	Remedial measure
The reverse travel speed is too low.	Not enough hydraulic oil in the center pole head.	Top off the hydraulic oil.
The forward travel speed is too low.	Too much hydraulic oil in the center pole head.	Correct the oil level accordingly.*
	Air in the hydraulic control system.	Bleed.*
No travel speed.	Mechanical fault.	Have the machine repaired.*
Loss of hydraulic oil.	Leaks	Have the machine repaired.*
Motor will not start.	Defective ignition lock.	Have the machine repaired.*
	Defective starter motor.	
	Discharge starter battery.	Charge starter battery.
	Low oil level	Top up oil and actuate valve hood on the oil filter housing.
The charge control lamp will not go out.	Defective alternator.	Have the machine repaired.*
The acoustic signal will not stop sounding.	Defective voltage regulator.	
Compaction display (optional): If all LEDs permanently flash after initialization, the sensor has not been successfully tested.	Switch-on with the engine running.	Have the machine repaired.*
	Sensor is defective.	
* Have this work performed by the service department of your Wacker Neuson contact partner.		

10.2 Perform jump start with donor starter battery

If the starter battery of the machine is discharged and the engine does not start, a jump-start with a donor battery is possible.



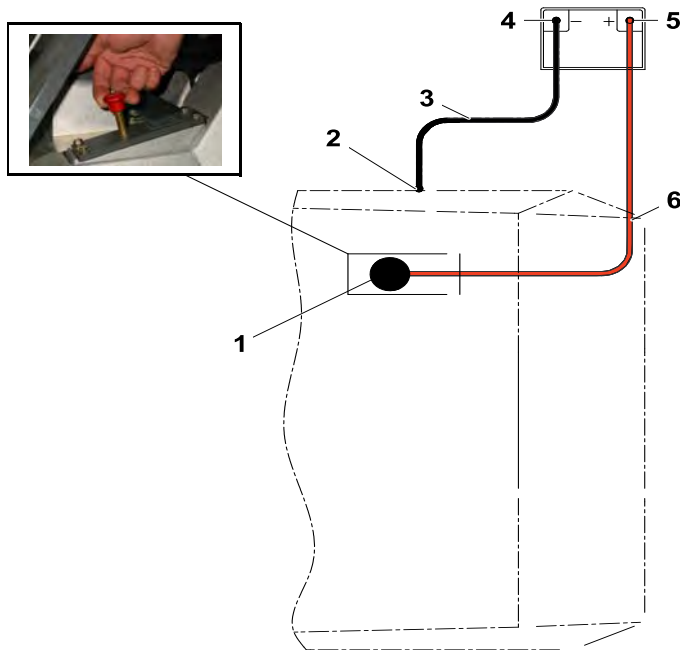
WARNING

Risk of explosion from explosive gas.
Risk of injury from splashing acid.

- Wear safety glasses and protective gloves.
- The donor battery and starter battery of the machine must have the same voltage (12 V).
- Avoid short circuit from reverse polarity (plus to plus, minus to minus).
- Use correct sequence when connecting the jumper cables.

NOTICE

Use only insulated jumper cables with a conductor cross-section of at least 16 mm².



Item	Designation	Item	Designation
1	Jump start pin	4	Negative terminal of the donor battery
2	Negative terminal at the grounding point	5	Positive terminal of the donor battery
3	Black jumper cables	6	Red jumper cables

1. Pull out jump start pin and connect clamping tongs of the red jumper cable to the jump start pin.
2. Connect the second clamping tongs of the red jumper cable to the positive terminal of the donor battery.
3. Connect clamping tongs of the black jumper cable to the negative terminal of the donor battery.
4. Connect the second clamping tongs of the black jumper cable to a grounding point of the machine, e.g. at the engine block.

Perform jump start

5. Start engine.
If the engine does not start after a maximum of 15 seconds, stop the starting process and contact your Wacker Neuson contact person.
6. Run engine for a few minutes.

Disconnect the jumper cable

7. Disconnect clamping tongs of the black jumper cable from the grounding point of the machine.
8. Disconnect the second clamping tongs of the black jumper cable from the donor battery.
9. Disconnect the clamping tongs of the red jumper cable from the jump start pin and ensure that the jump start pin is completely retracted.
10. Disconnect the second clamping tongs of the red jumper cable from the positive terminal of the donor battery.

11 Disposal

11.1 Disposal of batteries

The machine contains one or more batteries or rechargeable batteries (hereinafter referred to as "the battery"). Proper disposal of the battery prevents negative effects on individuals and the environment, follows the specific treatment of pollutants, and ensures the recycling of useful raw materials.

For customers in EU countries

This battery is subject to the European Directive on (old) batteries and (old) rechargeable batteries, and the respective national laws. The battery directive outlines the framework for an EU-wide treatment of batteries.



The battery is marked with the following symbol of a crossed-out garbage bin. Below this symbol, there is also the name of the pollutants contained therein, i.e. "Pb" for lead, "Cd" for cadmium, and "Hg" for mercury.

Batteries may not be disposed of with normal household waste! As an end-user, you may only dispose of used batteries via the manufacturer or specially equipped collection facilities (statutory obligation to return); the delivery is free. Retailers and manufacturers are obliged to take back these batteries and properly recycle them or dispose of them as hazardous waste (legal obligation).

Batteries obtained through Wacker Neuson can be returned to Wacker Neuson free of charge after use. If the batteries cannot be personally returned to a Wacker Neuson branch, there are instructions in the sales contract or in the Terms and Conditions of the location where they were purchased.

For customers in other countries

Wacker Neuson recommends that you do not dispose of the battery in normal household waste but rather in a separate, environmentally friendly collection facility. National laws may also have provisions for the separate disposal of batteries. Disposal of the battery in accordance with current national guidelines must be assured.

12 Accessories



CAUTION

Accessories and spare parts that do not originate from Wacker Neuson can increase the risk of injury and possible damage to the machine.

- The use of other accessories and spare parts that do not originate from Wacker Neuson shall cancel any liability.
-

A wide range of accessories is offered for the machine.

More information about the individual accessories can be found online at www.wackerneuson.com.

Extension plates

For the machine, the extension plates are available in different widths with which the operating width of the machine can be expanded or reduced.

Sliding mechanism

Sliding mechanisms offer optimal protection against damage to the sett paving (paving stone) surface, which is especially required for surface-coated types of paving.

Starting crank

DPU4545 and DPU5545 - short tool shank of the starting crank.

DPU6555 - long tool shank of the starting crank.

Starting crank holder

A starting crank holder can be attached to store the starting crank on the machine.

Undercarriage

An undercarriage is offered for easier transport on the construction site.

13 Technical data

13.1 DPU4545

Designation	Unit	DPU4545H	DPU4545He	DPU4545Heh
Item number		5100009661	5100016951	5100009659
Centrifugal force	kN	45.00	45.00	45.00
Oscillations	Hz	69	69	69
	1/min	4,140	4,140	4,140
Compaction performance*	m ² /h	910	910	910
Travel speed	m/min	25.0	25.0	25.0
Gradeability	%	57.7	57.7	57.7
Length (center pole in working position)	mm	1,661	1,661	1,661
Width	mm	604	604	604
Height	mm	1,308	1,308	1,308
Operating weight	kg	402.0	423.0	423.0
Ground clearance	mm	790 – 914	790 – 914	790 – 914
Rated power **	kW	6.4	6.4	6.4
Nominal speed	1/min	2,850	2,850	2,850
Exciter oil volume	l	0.75	0.75	0.75
Exciter oil type		SAE 75W-90	SAE 75W-90	SAE 75W-90
Hydraulic oil volume	l	0.5	0.5	0.5
Type of hydraulic oil		MR 520	MR 520	MR 520
Storage temperature range	°C	-15 – +40	-15 – +40	-15 – +40
Operating temperature range	°C	-15 – +40	-15 – +40	-15 – +40
Sound pressure level At location of operation L _{pA}	dB(A)	94	94	94
Standards		EN 500-4		
Sound power level L _{wa} measured guaranteed	dB(A)	107 108	107 108	107 108
Standards		EN 500-4		
Vibration total value a _{hv}	m/s ²	< 2.5	< 2.5	< 2.5
Standards		EN 500-4		
Uncertainty of measurement of the vibration total value a _{hv}	m/s ²	0.5	0.5	0.5
* Depending on the soil properties.				
** Corresponds to the net installed power according to directive 2000/14/EC.				



Designation	Unit	DPU4545 Hec	DPU4545 Hech	DPU4545 Heh US	DPU4545 Hech US	DPU4545 Hechzf
Item number		5100016953	5100015429	5100009660	5100016952	5100022112
Centrifugal force	kN	45.00	45.00	45.00	45.00	45.00
Oscillations	Hz	69	69	69	69	69
	1/min	4,140	4,140	4,140	4,140	4,140
Compaction performance*	m ² /h	910	910	910	910	910
Travel speed	m/min	25.0	25.0	25.0	25.0	25.0
Gradeability	%	57.7	57.7	57.7	57.7	57.7
Length (center pole in working position)	mm	1,661	1,661	1,661	1,661	1,661
Width	mm	604	604	604	604	604
Height	mm	1,308	1,308	1,308	1,308	1,308
Operating weight	kg	424.0	425.0	423.0	423.0	428.0
Ground clearance	mm	790 – 914	790 – 914	790 – 914	790 – 914	914
Rated power **	kW	6.4	6.4	6.4	6.4	6.4
Nominal speed	1/min	2,850	2,850	2,850	2,850	2,850
Exciter oil volume	l	0.75	0.75	0.75	0.75	0.75
Exciter oil type		SAE 75W-90	SAE 75W-90	SAE 75W-90	SAE 75W-90	SAE 75W-90
Hydraulic oil volume	l	0.5	0.5	0.5	0.5	0.5
Type of hydraulic oil		MR 520	MR 520	MR 520	MR 520	MR 520
Storage temperature range	°C	-15 – +40	-15 – +40	-15 – +40	-15 – +40	-15 – +40
Operating temperature range	°C	-15 – +40	-15 – +40	-15 – +40	-15 – +40	-15 – +40
Sound pressure level At location of operation L _{pA}	dB(A)	94	94	94	94	94
Standards		EN 500-4				
Sound power level L _{wa} measured guaranteed	dB(A)	107 108	107 108	107 108	107 108	107 108
Standards		EN 500-4				
Vibration total value a _{hv}	m/s ²	< 2.5	< 2.5	< 2.5	< 2.5	< 2.5
Standards		EN 500-4				
Uncertainty of measurement of the vibration total value a _{hv}	m/s ²	0.5	0.5	0.5	0.5	0.5
* Depending on the soil properties.						
** Corresponds to the net installed power according to directive 2000/14/EC.						

13.2 Combustion engine

Designation	Unit			
Manufacturer		Hatz		
Type of engine		1D42S-151	1D42S-152	1D42S-177
Combustion method		Four-cycle	Four-cycle	Four-cycle
Cooling		Air cooling	Air cooling	Air cooling
Cylinders		1	1	1
Displacement	cm ³	445	445	445
Max. slanting position	°	30	30	30
Fuel type		Diesel	Diesel	Diesel
Fuel consumption	l/h	1.6	1.6	1.6
Tank capacity	l	5.0	5.0	5.0
Oil specification		SAE 10W40	SAE 10W40	SAE 10W40
Max. oil filling	l	1.1	1.1	1.1
Max. performance	kW	7.0	7.0	7.0
Drill speed	1/min	3,600	3,600	3,600
Standards		ISO 3046 IFN		
Air cleaner		Dry-type air cleaner	Dry-type air cleaner	Dry-type air cleaner
Starter type		Manual crank start	Electric starter	Electric starter
Battery voltage	V	–	Special Wacker Neuson starter battery for vibratory plates, 12 V, 45 Ah	
Battery capacity (nominal value)	Ah	–		

14 Technical data

14.1 DPU5545

Designation	Unit	DPU5545H	DPU5545He	DPU5545 Heh	DPU5545 Heap
Item number		5100009656	5100016947	5100009652	5100016949
Centrifugal force	kN	55.00	55.00	55.00	55.00
Oscillations	Hz	69	69	69	69
	1/min	4,150	4,150	4,150	4,150
Compaction performance*	m ² /h	980	980	980	1,170
Travel speed	m/min	27.0	27.0	27.0	26.0
Gradeability	%	57.7	57.7	57.7	57.7
Length (center pole in working position)	mm	1,661	1,661	1,661	1,661
Width	mm	604	604	604	750
Height	mm	1,308	1,308	1,308	1,308
Operating weight	kg	399.0	424.0	424.0	447.0
Ground clearance	mm	790 – 914	790 – 914	790 – 914	790 – 914
Rated power **	kW	6.4	6.4	6.4	6.4
Nominal speed	1/min	2,850	2,850	2,850	2,850
Exciter oil volume	l	0.75	0.75	0.75	0.75
Exciter oil type		SAE 75W-90	SAE 75W-90	SAE 75W-90	SAE 75W-90
Hydraulic oil volume	l	0.5	0.5	0.5	0.5
Type of hydraulic oil		MR 520	MR 520	MR 520	MR 520
Storage temperature range	°C	-15 – +40	-15 – +40	-15 – +40	-15 – +40
Operating temperature range	°C	-15 – +40	-15 – +40	-15 – +40	-15 – +40
Sound pressure level At location of operation L _{pA}	dB(A)	94	94	94	94
Standards		EN 500-4			
Sound power level L _{wa} measured guaranteed	dB(A)	107	107	107	107
		108	108	108	108
Standards		EN 500-4			
Vibration total value a _{hv}	m/s ²	< 2.5	< 2.5	< 2.5	< 2.5
		EN 500-4			
Uncertainty of measurement of the vibration total value a _{hv}	m/s ²	0.5	0.5	0.5	0.5
* Depending on the soil properties.					
** Corresponds to the net installed power according to directive 2000/14/EC.					

Designation	Unit	DPU5545 Hehap	DPU5545 Hec	DPU5545 Hech
Item number		5100009654	5100016950	5100009655
Centrifugal force	kN	55.00	55.00	55.00
Oscillations	Hz	69	69	69
	1/min	4,150	4,150	4,150
Compaction performance*	m ² /h	1,170	980	980
Travel speed	m/min	26.0	27.0	27.0
Gradeability	%	57.7	57.7	57.7
Length (center pole in working position)	mm	1,661	1,661	1,661
Width	mm	750	604	604
Height	mm	1,308	1,308	1,308
Operating weight	kg	447.0	425.0	425.0
Ground clearance	mm	790 – 914	790 – 914	790 – 914
Rated power **	kW	6.4	6.4	6.4
Nominal speed	1/min	2,850	2,850	2,850
Exciter oil volume	l	0.75	0.75	0.75
Exciter oil type		SAE 75W-90	SAE 75W-90	SAE 75W-90
Hydraulic oil volume	l	0.5	0.5	0.5
Type of hydraulic oil		MR 520	MR 520	MR 520
Storage temperature range	°C	-15 – +40	-15 – +40	-15 – +40
Operating temperature range	°C	-15 – +40	-15 – +40	-15 – +40
Sound pressure level At location of operation L _{pA}	dB(A)	94	94	94
Standards		EN 500-4		
Sound power level L _{wa} measured guaranteed	dB(A)	107	107	107
		108	108	108
Standards		EN 500-4		
Vibration total value a _{hv}	m/s ²	< 2.5	< 2.5	< 2.5
Standards		EN 500-4		
Uncertainty of measurement of the vibration total value a _{hv}	m/s ²	0.5	0.5	0.5
* Depending on the soil properties.				
** Corresponds to the net installed power according to directive 2000/14/EC.				



Designation	Unit	DPU5545Hech US	DPU5545Heh US
Item number		5100016948	5100009653
Centrifugal force	kN	55.00	55.00
Oscillations	Hz	69	69
	1/min	4,150	4,150
Compaction performance*	m ² /h	980	980
Travel speed	m/min	27.0	27.0
Gradeability	%	57.7	57.7
Length (center pole in working position)	mm	1,661	1,661
Width	mm	604	604
Height	mm	1,308	1,308
Operating weight	kg	424.0	424.0
Ground clearance	mm	790 – 914	790 – 914
Rated power **	kW	6.4	6.4
Nominal speed	1/min	2,850	2,850
Exciter oil volume	l	0.75	0.75
Exciter oil type		SAE 75W-90	SAE 75W-90
Hydraulic oil volume	l	0.5	0.5
Type of hydraulic oil		MR 520	MR 520
Storage temperature range	°C	-15 – +40	-15 – +40
Operating temperature range	°C	-15 – +40	-15 – +40
Sound pressure level At location of operation L _{pA}	dB(A)	94	94
Standards		EN 500-4	
Sound power level L _{wa} measured guaranteed	dB(A)	107	107
		108	108
Standards		EN 500-4	
Vibration total value a _{hv}	m/s ²	< 2.5	< 2.5
		EN 500-4	
Uncertainty of measurement of the vibration total value a _{hv}	m/s ²	0.5	0.5
* Depending on the soil properties.			
** Corresponds to the net installed power according to directive 2000/14/EC.			

14.2 Combustion engine

Designation	Unit			
Manufacturer		Hatz		
Type of engine		1D42S-151	1D42S-152	1D42S-177
Combustion method		Four-cycle	Four-cycle	Four-cycle
Cooling		Air cooling	Air cooling	Air cooling
Cylinders		1	1	1
Displacement	cm ³	445	445	445
Max. slanting position	°	30	30	30
Fuel type		Diesel	Diesel	Diesel
Fuel consumption	l/h	1.6	1.6	1.6
Tank capacity	l	5.0	5.0	5.0
Oil specification		SAE 10W40	SAE 10W40	SAE 10W40
Max. oil filling	l	1.1	1.1	1.1
Max. performance	kW	7.0	7.0	7.0
Drill speed (max. output)	1/min	3,600	3,600	3,600
Standards		ISO 3046 IFN		
Air cleaner		Dry-type air cleaner	Dry-type air cleaner	Dry-type air cleaner
Starter type		Manual crank start	Electric starter	Electric starter
Battery voltage	V	–	Special Wacker Neuson starter battery for vibratory plates, 12 V, 45 Ah	
Battery capacity (nominal value)	Ah	–		

15 Technical data

15.1 DPU6555

Designation	Unit	DPU6555 H	DPU6555 Hs	DPU6555 He	DPU6555 Heap
Item number		5100009651	5100015773	5100016940	5100016943
Centrifugal force	kN	65.00	65.00	65.00	65.00
Oscillations	Hz	69	69	69	69
	1/min	4,150	4,150	4,150	4,150
Compaction performance*	m ² /h	1,200	1,200	1,200	1,450
Travel speed	m/min	28.0	28.0	28.0	28.0
Gradeability	%	46.6	46.6	46.6	46.6
Length (center pole in working position)	mm	1,664	1,664	1,664	1,664
Width	mm	710	710	710	860
Height	mm	1,308	1,308	1,308	1,308
Operating weight	kg	480.0	482.0	504.0	527.0
Ground clearance	mm	861 – 1,005	861 – 1,005	861 – 1,005	861 – 1,005
Rated power **	kW	9.6	9.6	9.6	9.6
Nominal speed	1/min	2,800	2,800	2,800	2,800
Exciter oil volume	l	0.75	0.75	0.75	0.75
Exciter oil type		SAE 75W-90	SAE 75W-90	SAE 75W-90	SAE 75W-90
Hydraulic oil volume	l	0.5	0.5	0.5	0.5
Type of hydraulic oil		MR 520	MR 520	MR 520	MR 520
Storage temperature range	°C	-15 – +40	-15 – +40	-15 – +40	-15 – +40
Operating temperature range	°C	-15 – +40	-15 – +40	-15 – +40	-15 – +40
Sound pressure level At location of operation L _{pA}	dB(A)	97	97	97	97
Standards		EN 500-4			
Sound power level L _{wa} measured guaranteed	dB(A)	108	108	108	108
		109	109	109	109
Standards		EN 500-4			
Vibration total value a _{hv}	m/s ²	< 2.5	< 2.5	< 2.5	< 2.5
	Standards	EN 500-4			
Uncertainty of measurement of the vibration total value a _{hv}	m/s ²	0.5	0.5	0.5	0.5
* Depending on the soil properties.					
** Corresponds to the net installed power according to directive 2000/14/EC.					



Designation	Unit	DPU6555Heh	DPU6555 Hehap	DPU6555 Hes	DPU6555 Hesh
Item number		5100009636	5100009638	5100016941	5100015774
Centrifugal force	kN	65.00	65.00	65.00	65.00
Oscillations	Hz	69	69	69	69
	1/min	4,150	4,150	4,150	4,150
Compaction performance*	m ² /h	1,200	1,450	1,200	1,200
Travel speed	m/min	28.0	28.0	28.0	28.0
Gradeability	%	46.6	46.6	46.6	46.6
Length (center pole in working position)	mm	1,664	1,664	1,664	1,664
Width	mm	710	860	710	710
Height	mm	1,308	1,308	1,308	1,308
Operating weight	kg	495.0	518.0	499.0	499.0
Ground clearance	mm	861 – 1,005	861 – 1,005	861 – 1,005	861 – 1,005
Rated power **	kW	9.6	9.6	9.6	9.6
Nominal speed	1/min	2,800	2,800	2,800	2,800
Exciter oil volume	l	0.75	0.75	0.75	0.75
Exciter oil type		SAE 75W-90	SAE 75W-90	SAE 75W-90	SAE 75W-90
Hydraulic oil volume	l	0.5	0.5	0.5	0.5
Type of hydraulic oil		MR 520	MR 520	MR 520	MR 520
Storage temperature range	°C	-15 – +40	-15 – +40	-15 – +40	-15 – +40
Operating temperature range	°C	-15 – +40	-15 – +40	-15 – +40	-15 – +40
Sound pressure level At location of operation L _{pA}	dB(A)	97	97	97	97
Standards		EN 500-4			
Sound power level L _{wa} measured guaranteed	dB(A)	108	108	108	108
		109	109	109	109
Standards		EN 500-4			
Vibration total value a _{hv}	m/s ²	< 2.5	< 2.5	< 2.5	< 2.5
		EN 500-4			
Uncertainty of measurement of the vibration total value a _{hv}	m/s ²	0.5	0.5	0.5	0.5
* Depending on the soil properties.					
** Corresponds to the net installed power according to directive 2000/14/EC.					



Designation	Unit	DPU6555 Hec	DPU6555 Hech	DPU6555 Hecs	DPU6555 Hecsh	DPU6555 Hecsh
Item number		5100016944	5100009639	5100016945	5100015775	5100021400
Centrifugal force	kN	65.00	65.00	65.00	65.00	65.00
Oscillations	Hz	69	69	69	69	69
	1/min	4,150	4,150	4,150	4,150	4,150
Compaction performance*	m ² /h	1,200	1,200	1,200	1,200	1,200
Travel speed	m/min	28.0	28.0	28.0	28.0	28.0
Gradeability	%	46.6	46.6	46.6	46.6	46.6
Length (center pole in working position)	mm	1,664	1,664	1,664	1,664	1,664
Width	mm	710	710	710	710	710
Height	mm	1,308	1,308	1,308	1,308	1,308
Operating weight	kg	505.0	490.0	500.0	500.0	501.0
Ground clearance	mm	861 – 1,005	861 – 1,005	861 – 1,005	861 – 1,005	1,005
Rated power **	kW	9.6	9.6	9.6	9.6	9.6
Nominal speed	1/min	2,800	2,800	2,800	2,800	2,800
Exciter oil volume	l	0.75	0.75	0.75	0.75	0.75
Exciter oil type		SAE 75W-90	SAE 75W-90	SAE 75W-90	SAE 75W-90	SAE 75W-90
Hydraulic oil volume	l	0.5	0.5	0.5	0.5	0.5
Type of hydraulic oil		MR 520	MR 520	MR 520	MR 520	MR 520
Storage temperature range	°C	-15 – +40	-15 – +40	-15 – +40	-15 – +40	-15 – +40
Operating temperature range	°C	-15 – +40	-15 – +40	-15 – +40	-15 – +40	-15 – +40
Sound pressure level At location of operation L _{pA}	dB(A)	97	97	97	97	97
Standards		EN 500-4				
Sound power level L _{wa} measured guaranteed	dB(A)	108 109	108 109	108 109	108 109	108 109
Standards		EN 500-4				
Vibration total value a _{hv}	m/s ²	< 2.5	< 2.5	< 2.5	< 2.5	< 2.5
Standards		EN 500-4				
Uncertainty of measurement of the vibration total value a _{hv}	m/s ²	0.5	0.5	0.5	0.5	0.5
* Depending on the soil properties.						
** Corresponds to the net installed power according to directive 2000/14/EC.						

Designation	Unit	DPU6555 Heh US	DPU6555 Hech US
Item number		5100009637	5100009650
Centrifugal force	kN	65.00	65.00
Oscillations	Hz	69	69
	1/min	4,150	4,150
Compaction performance*	m ² /h	1,200	1,200
Travel speed	m/min	28.0	28.0
Gradeability	%	46.6	46.6
Length (center pole in working position)	mm	1,664	1,664
Width	mm	710	710
Height	mm	1,308	1,308
Operating weight	kg	495.0	490.0
Ground clearance	mm	861 – 1,005	861 – 1,005
Rated power **	kW	9.6	9.6
Nominal speed	1/min	2,800	2,800
Exciter oil volume	l	0.75	0.75
Exciter oil type		SAE 75W-90	SAE 75W-90
Hydraulic oil volume	l	0.5	0.5
Type of hydraulic oil		MR 520	MR 520
Storage temperature range	°C	-15 – +40	-15 – +40
Operating temperature range	°C	-15 – +40	-15 – +40
Sound pressure level At location of operation L _{pA}	dB(A)	97	97
Standards		EN 500-4	
Sound power level L _{wa} measured guaranteed	dB(A)	108	108
		109	109
Standards		EN 500-4	
Vibration total value a _{hv}	m/s ²	< 2.5	< 2.5
		EN 500-4	
Uncertainty of measurement of the vibration total value a _{hv}	m/s ²	0.5	0.5
* Depending on the soil properties.			
** Corresponds to the net installed power according to directive 2000/14/EC.			

**15.2 Combustion engine**

Designation	Unit			
Manufacturer		Hatz		
Type of engine		1D81S-248	1D81S-249	1D81S-319
Combustion method		Four-cycle	Four-cycle	Four-cycle
Cooling		Air cooling	Air cooling	Air cooling
Cylinders		1	1	1
Displacement	cm ³	667	667	667
Max. slanting position	°	25	25	25
Fuel type		Diesel	Diesel	Diesel
Fuel consumption	l/h	1.9	1.9	1.9
Tank capacity	l	6.0	6.0	6.0
Oil specification		SAE 10W40	SAE 10W40	SAE 10W40
Max. oil filling	l	1.9	1.9	1.9
Max. performance	kW	10.1	10.1	10.1
Drill speed	1/min	3,600	3,600	3,000
Standards		ISO 3046 IFN		
Air cleaner		Dry-type air cleaner	Dry-type air cleaner	Dry-type air cleaner
Starter type		Electric starter	Manual crank start	Electric starter
Battery voltage	V	Special Wacker Neuson starter battery for vibratory plates, 12 V, 45 Ah	–	Special Wacker Neuson starter battery for vibratory plates, 12 V, 45 Ah
Battery capacity (nominal value)	Ah		–	

16 Emission control systems information and warranty

The Emission Control Warranty and associated information is valid only for the U.S.A., its territories, and Canada.

Emission control systems warranty statement

See the *engine owner's manual* for the applicable exhaust and evaporative emission warranty statement.



EC declaration of conformity

Manufacturer

Wacker Neuson Produktion GmbH & Co. KG, Wackerstraße 6, D-85084 Reichertshofen

This declaration of conformity is issued under the sole responsibility of the manufacturer.

Product

Product	DPU4545
Product type	Vibratory plate
Function of product	Soil compaction
Item number	5100009661, 5100016951, 5100009659, 5100016953, 5100015429, 5100022112
Net installed power	6.4 kW
Measured sound power level	107 dB(A)
Guaranteed sound power level	108 dB(A)

Conformity assessment procedure

According to 2000/14/EC (2009-03), enclosure VIII.

Appointed body

VDE Testing and Certification Institute GmbH, Merianstrasse 28, 63069 Offenbach/Main (NB 0366).

Guidelines and standards

We hereby declare that this product complies with the relevant provisions and requirements of the following guidelines and standards:

2006/42/EC (2014-02), 2000/14/EC (2009-03), EN 500-1 (2009-12), EN 500-4 (2011-02)

Person responsible for technical documents

Robert Rätthsel,
Wacker Neuson Produktion GmbH & Co. KG, Wackerstraße 6, D-85084 Reichertshofen

Reichertshofen, 30.01.2017

Helmut Bauer
Managing Director



EC declaration of conformity

Manufacturer

Wacker Neuson Produktion GmbH & Co. KG, Wackerstraße 6, D-85084 Reichertshofen

This declaration of conformity is issued under the sole responsibility of the manufacturer.

Product

Product	DPU5545
Product type	Vibratory plate
Function of product	Soil compaction
Item number	5100009656, 5100016947, 5100009652, 5100016949, 5100009654, 5100016950, 5100009655
Net installed power	6.4 kW
Measured sound power level	107 dB(A)
Guaranteed sound power level	108 dB(A)

Conformity assessment procedure

According to 2000/14/EC (2009-03), enclosure VIII.

Appointed body

VDE Testing and Certification Institute GmbH, Merianstrasse 28, 63069 Offenbach/Main (NB 0366).

Guidelines and standards

We hereby declare that this product complies with the relevant provisions and requirements of the following guidelines and standards:

2006/42/EC (2014-02), 2000/14/EC (2009-03), EN 500-1 (2009-12), EN 500-4 (2011-02)

Person responsible for technical documents

Robert Rättsel,
Wacker Neuson Produktion GmbH & Co. KG, Wackerstraße 6, D-85084 Reichertshofen

Reichertshofen, 02.01.2017

Helmut Bauer
Managing Director



EC declaration of conformity

Manufacturer

Wacker Neuson Produktion GmbH & Co. KG, Wackerstraße 6, D-85084 Reichertshofen

This declaration of conformity is issued under the sole responsibility of the manufacturer.

Product

Product	DPU6555
Product type	Vibratory plate
Function of product	Soil compaction
Item number	5100009651, 5100015773, 5100016940, 5100016943, 5100009636, 5100009638, 5100016941, 5100015774, 5100016944, 5100009639, 5100016945, 5100015775, 5100021400
Net installed power	9.6 kW
Measured sound power level	108 dB(A)
Guaranteed sound power level	109 dB(A)

Conformity assessment procedure

According to 2000/14/EC (2009-03), enclosure VIII.

Appointed body

VDE Testing and Certification Institute GmbH, Merianstrasse 28, 63069 Offenbach/Main (NB 0366).

Guidelines and standards

We hereby declare that this product complies with the relevant provisions and requirements of the following guidelines and standards:

2006/42/EC (2014-02), 2000/14/EC (2009-03), EN 500-1 (2009-12), EN 500-4 (2011-02)

Person responsible for technical documents

Robert Rättsel,
Wacker Neuson Produktion GmbH & Co. KG, Wackerstraße 6, D-85084 Reichertshofen

Reichertshofen, 30.01.2017

Helmut Bauer
Managing Director

